



ProSpread® Apron Box Manure Spreaders  
PS / PSC / PXL



## VERSATILE, EFFICIENT AND RELIABLE

KUHN IS THE LEADER IN INNOVATIVE BOX SPREADERS, WITH OVER 60 YEARS OF EXPERIENCE. KUHN APRON BOX SPREADERS ARE AN IDEAL CHOICE FOR PRODUCERS SEEKING TO TAKE MAXIMUM ADVANTAGE OF THE NUTRIENT VALUE OF THEIR MANURE, FROM PEN PACK TO DRY YARD MANURE. TRUCK AND TRAILER MODELS ARE AVAILABLE WITH SEVERAL DISCHARGE OPTIONS ALLOWING YOU TO CUSTOMIZE YOUR MACHINE TO YOUR OPERATION.



### TIME TESTED

KUHN Knight box spreaders have withstood the test of time and will continue to do the same for you and your operation. Combining years of experience with the latest technologies, we offer an exceptional line of box spreaders.

### FEWER MOVING PARTS

By minimizing moving parts, KUHN Knight spreaders are dependable and easy to maintain.

### A BOX SPREADER TO MEET YOUR NEEDS

Whether you're looking for a certain capacity spreader or a specific spread pattern, KUHN offers a multitude of beater modules, spreader sizes, truck or trailer mounts, and added options to best serve your operation.

### Summary

Shared Features .....	4-9
PS 235 & 242 .....	10-11
PS 250, 260, 270 & 280 .....	12-15
PSC 100 Series .....	16-17
PXL 100 Series .....	18-21
Truck Mount .....	22
Spreader Scale Systems.....	23-25
Optional Equipment.....	26
Specifications .....	27-31

Models	Heaped Capacity	Available Configurations	Discharge Options
<b>PS 235</b>	285 ft <sup>3</sup> (8.1 m <sup>3</sup> )	Trailer Only	Horizontal, Vertical
<b>PS 242</b>	360 ft <sup>3</sup> (10.2 m <sup>3</sup> )	Trailer Only	Horizontal, Vertical, Spinner
<b>PS 250</b>	500 ft <sup>3</sup> (14.2 m <sup>3</sup> )	Trailer Only	Horizontal, Vertical, Spinner
<b>PS 260</b>	600 ft <sup>3</sup> (17 m <sup>3</sup> )	Trailer Only	Horizontal, Vertical, Spinner
<b>PS 270</b>	690 ft <sup>3</sup> (19.5 m <sup>3</sup> )	Trailer Only	Vertical, Spinner
<b>PS 280</b>	800 ft <sup>3</sup> (22.7 m <sup>3</sup> )	Trailer Only	Vertical, Spinner
<b>PSC 161</b>	560 ft <sup>3</sup> (15.9 m <sup>3</sup> )	Trailer or Truck	Horizontal, Vertical, Spinner
<b>PSC 171</b>	665 ft <sup>3</sup> (18.8 m <sup>3</sup> )	Trailer or Truck	Horizontal, Vertical, Spinner
<b>PSC 181</b>	770 ft <sup>3</sup> (21.8 m <sup>3</sup> )	Trailer or Truck	Horizontal, Vertical, Spinner
<b>PXL 185</b>	865 ft <sup>3</sup> (25 m <sup>3</sup> )	Trailer or Truck	Horizontal, Vertical, Spinner
<b>PXL 1100</b>	1,000 ft <sup>3</sup> (28 m <sup>3</sup> )	Trailer or Truck	Horizontal, Vertical, Spinner
<b>PXL 1120</b>	1,230 ft <sup>3</sup> (35 m <sup>3</sup> )	Trailer Only	Horizontal, Vertical, Spinner



**PROSPREAD® PS / PSC / PXL**

# IT'S MORE THAN JUST A BOX

All KUHN Knight manure spreaders come with design features that are capable of handling your operation's workload. From the smallest capacity box spreader to the largest, KUHN Knight ProSpread® box spreaders are built to last.



## ALL-STEEL, WELDED CONSTRUCTION

An all-steel construction provides the backbone and solid framework for these spreaders. This simple, yet effective design keeps the sides and beater panels aligned for the life of the machine. The all-welded construction includes a reinforced tongue that pulls directly from the axle for added strength and durability.



## FEWER MOVING PARTS

A hydraulically driven apron means fewer moving parts to worry about. This system provides independent operation of the beaters and apron, resulting in even, controlled spreading of many different types of solid materials and allows you to easily achieve targeted application rates.



## REDUCE WINTER FREEZE-DOWN

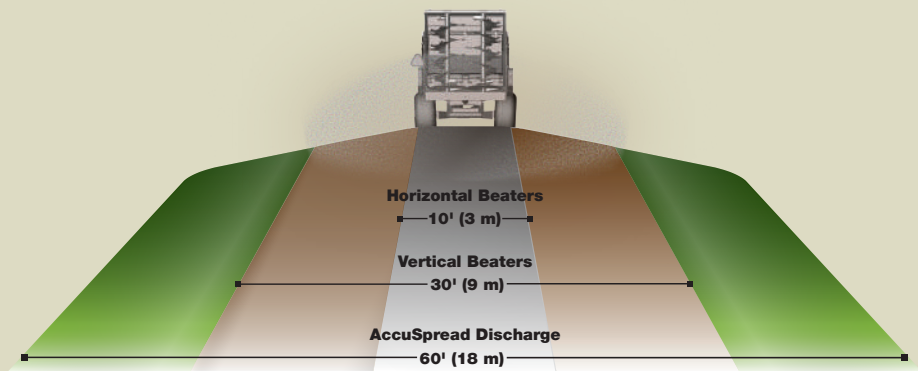
The high-density, solid poly floor reduces friction and winter freeze-down to provide trouble-free service and long life. It offers more durability than individual tongue and groove boards and requires less power for unloading compared to other types of floors.



## REDUCED SOIL COMPACTION

Large, high-flotation tires provide a greater net load carrying capacity and low ground compaction even with the heaviest loads. When paired with a rugged tandem axle, even greater flotation is provided.

# TAILORED TO YOUR OPERATION



## HORIZONTAL BEATERS

Horizontal beaters are most effectively used in spreading applications with dry, coarse materials such as pen pack or yard scrapings. They work well in situations where fast unloading and high application rates are desired.



## VERTICAL BEATERS

VertiSpread® vertical beaters provide quality spreading performance for a wider variety of dry materials, from tough materials like pen pack, to finer materials like dry dirt compost. They can provide the same fast unloading and high application rates as horizontal beaters, but with a wider spread pattern and more consistent material breakup.



## SPINNER DISCHARGE

The AccuSpread® spinner discharge offers consistent spreading of dry, flowable materials such as dry dirt compost, poultry litter and lime sludge. It provides the widest, most uniform spread pattern available, and coupled with the use of a metering or guillotine gate, is able to accurately spread nutrient-dense materials at low rates.

## WHICH BEATER OPTION IS BEST FOR MY OPERATION?

	UNLOADING SPEED	SPREAD PATTERN	LOW RATES	HIGH RATES	PEN PACK	COMPOST	POULTRY LITTER
HORIZONTAL BEATERS	★★★★	★★	★☆☆☆☆	★★★★★	★★★★★	★☆☆☆☆	★☆☆☆☆
VERTICAL BEATERS	★★★★	★★★★	★★☆☆☆	★★★★★	★★★★★	★★★★★	★★★★★
SPINNER DISCHARGE	★★★☆☆	★★★★★	★★★★★	★★★☆☆	★★★☆☆	★★★★★	★★★★★

Note: Beater assemblies on all ProSpread® models (except PS 235/242 models with horizontal beaters) can easily be removed and installed to save wear and tear on the beaters when stockpiling, providing versatility for your operation.

## HORIZONTAL BEATERS

Heavy-duty rooster comb beaters are an economical option and provide an aggressive, narrow spread pattern of 10'–12' (3–3.7 m) that spreads at higher application rates for fast unloading. These beaters offer quality spreading performance and consistent material flow when spreading difficult materials, such as pen pack.



### REPLACEABLE BEATER TEETH

Heavy-duty, bolt-on rooster comb paddles are fully replaceable and provide enhanced spreading performance.



### SWING-OUT BEATERS

Hydraulic, swing-out beaters allow the operator to easily clear out rocks and other foreign objects. Hydraulic control provides the ability to swing the beaters out conveniently from the cab. (PSC Only)

- ✓ High output capacity for fast unloading
- ✓ Works well when applying high application rates
- ✓ Narrow spread pattern

## VERTICAL BEATERS

VertiSpread® vertical beaters provide a consistent, wide 25–30' (7.6–9.1 m) spread pattern with excellent material breakup, even at high application rates. The beaters are slanted forward and overlap in the center for enhanced distribution of even the toughest dairy and feedlot material.



### RELIABLE PERFORMANCE IN DIFFICULT CONDITIONS

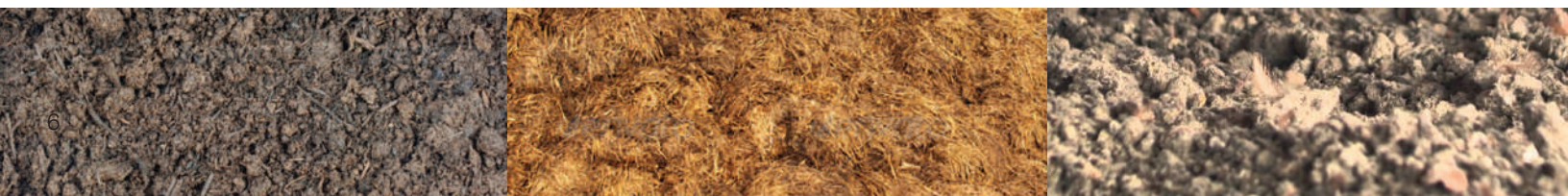
Rugged, heavy-duty vertical beaters provide reliable performance in difficult conditions. All beaters are dynamically balanced to add to the longevity of the machine.



### LOW-MAINTENANCE DESIGN

The integral gearbox provides a heavy-duty, low maintenance design without the use of chains and sprockets. This fully enclosed, modular design allows for the beaters to be overlapped, providing an even spread pattern with excellent material breakup.

- ✓ Very efficient and consistent spread pattern
- ✓ Works great for handling most types of manure
- ✓ Simple and durable beater drive





## SPINNER DISCHARGE

The AccuSpread® spinner discharge provides the widest and most uniform spread pattern, available even with tougher materials such as pen pack manure. This option offers consistent spreading of dry, flowable materials up to a 60' (18.3 m) spread width.



### EXCELLENT MATERIAL BREAKUP

Designed to provide outstanding material breakup and consistent particle sizing, an AccuSpread module practically eliminates the need for any tillage following spreading.



### MATERIAL VERSATILITY

Models, with an AccuSpread discharge, can spread wet, sticky litter, as well as dry materials without the bridging concerns of competitive V-bottom models.

- ✓ High nutrient value components such as poultry litter
- ✓ Very accurate at low spread rates
- ✓ Handles free flowing material with a consistent unload rate



### HEADLAND DEFLECTOR

A headland deflector allows an operator to spread closer to a headland without overlapping an already covered area or spreading over field boundaries. By using the headland deflector, an operator will reduce spreading width from 45'-60' (13.7-18.3 m) down to 20'-25' (6.1-7.6 m).



### HYDRAULIC, SWING-OUT DOOR

This rear door provides a secure enclosure for the discharge system and easy access for any required maintenance.

# TAKE CONTROL OF YOUR MATERIAL

Endgates provide the ability to easily control the material inside the spreader. Traditional swinging endgates prevent loss of material during loading or travel. A metering endgate provides a swinging endgate the ability to control and meter material flow to the beaters. A guillotine endgate provides the same benefits of the metering endgate in a more streamline design.



### HYDRAULIC SWINGING ENDGATE

This heavy-duty, welded endgate provides outstanding strength and durability. Hydraulic cylinders raise the endgate for optimum load clearance and when raised, it swings straight down to act as a debris deflector. (PS 235, 242 and PSC models only)



### METERING GATE

A heavy-duty metering gate provides enhanced control of the material flow on vertical and spinner machines. This accurate metering allows the ability to spread nutrient-dense materials at low rates to take best advantage of the nutrient value. A convenient indicator is located at the front of the unit for easy monitoring of the gate position. (PSC models only)



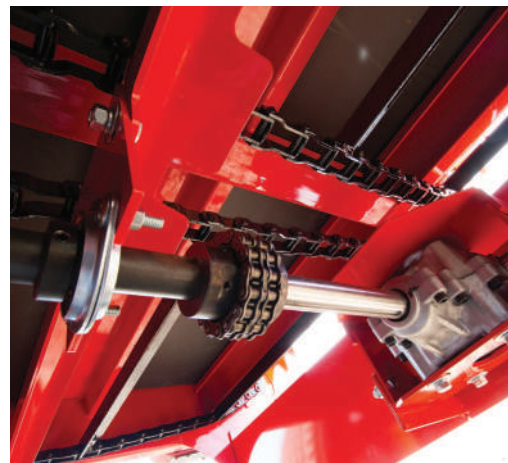
### GUILLOTINE ENDGATE

This new endgate provides excellent material control and metering ability in a more streamline design. New hydraulic cylinders raise the gate higher for heaped loads. Each guillotine endgate comes standard with a gate position indicator for operator convenience.



# BIG BENEFITS IN A SMALL PACKAGE

The new KUHN Knight PS 235 and 242 ProSpread® apron box spreaders are non-commercial spreaders that provide an affordable option for producers without sacrificing quality. The PS 235 and PS 242 are designed for small dairy, feeder, and cow/calf operations that process a wide array of semi-solid and solid materials. The new design features many upgrades, including low loading height, easy maneuverability and increased machine efficiency. The new design provides more efficient use of manure with greatly improved spreading and metering capability.



### CENTER-MOUNTED DRIVELINE

This simple design eliminates the need for extra chains and sprockets that are necessary for a side-mounted driveline. This design also provides extra protection against accidental damage during use.



### DUAL-APRON DESIGN

A dual apron provides consistent and reliable material flow to the beaters. This design also results in greater rigidity and longevity for both the apron chains and slats. Customers have the choice of t-bar or 667X pintle apron chain.



### AXLE & TIRE OPTIONS

A wide selection of axle and tire options allows purchasers to specifically tailor a unit to their operational needs. The PS 235 has an 8-bolt single, 10-bolt single and an 8-bolt tandem axle available. The PS 242 comes standard with an 8-bolt tandem axle.



### HORIZONTAL BEATERS

A traditional design that provides good material breakup at an affordable price. Standard with one 26" (66 cm) beater. An optional 14" (35.6 cm) upper beater and a 10" (25.4 cm) lower beater is available.



### VERTISPREAD® VERTICAL BEATERS

Heavy-duty, 3/8" (0.95 cm) thick beaters provide a wide, consistent spread pattern. An integral gearbox design ensures no chance of misalignment allowing the beater tips to overlap for greater spread pattern.

*VertiSpread & AccuSpread modules can be easily removed for maintenance or stockpiling.*



### ACCUSPREAD® SPINNER DISCHARGE

The new Gen II AccuSpread® spinner discharge provides the ability to consistently and evenly spread high-nutrient material at low application rates. The helical-style beater flighting provides excellent material breakup, even in tough materials such as pen pack. A free-floating lower deflector ensures that the material is placed on the spinner discs correctly, but also allows for movement in case of an obstruction or surge in material.

*Available only on PS 242 models.*

### SWINGING & GUILLOTINE ENDGATES

A traditional swinging endgate provides material control, ensuring that no material is lost during loading or travel. The new guillotine endgate provides excellent metering capability for operators who want better control over their manure application.

*(Guillotine endgate only available on PS 242 units ordered with VertiSpread or AccuSpread module)*



# SUPERIOR LOOK. SUPERIOR BUILD. SUPERIOR PERFORMANCE.

The new KUHN Knight PS 250, 260, 270 & 280 ProSpread® apron box spreaders are non-commercial, high-capacity spreaders that provide a more affordable option for producers without sacrificing quality. The PS 250, 260, 270 & 280 are designed for feeder, cow/calf, and dairy operations that process a wide array of semi-solid and solid materials. The new design features many upgrades that provide a non-commercial, unit with a low loading height, easy maneuverability and increased machine efficiency. The new design allows for a greater load capacity, metering capabilities and improved spread pattern.

This machine pairs superior look and build with superior performance and is backed by rigorous testing and user feedback. A 10-degree sidewall flare provides greater capacity while still maintaining ease of loading and unit maneuverability. A new guillotine gate delivers greater metering capability and material flow management. A two-piece poly floor and dual apron ensure consistent and dependable material flow to the beaters. Improved beater location provides an enhanced spreading pattern by streamlining material flow from the apron to the beaters. Additionally, an optional scale system is available for precise monitoring and application tracking.



## HORIZONTAL BEATERS

A traditional design that provides good material breakup at an affordable price. Standard with two, 20" (50.8 cm) beaters. An optional lower beater is also available for increased material breakup. *Not available on PS 270/280*

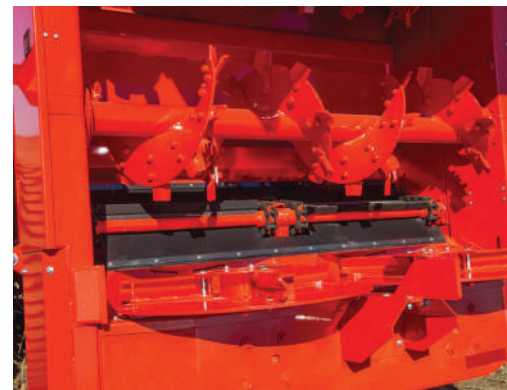


## VERTISPREAD® VERTICAL BEATERS

PS 250/260 models come standard with 3/8" (1 cm) thick steel beater flighting with standard or hardened beater teeth. PS 270/280 models feature heavy-duty vertical beaters, equipped with 5/8" (1.6 cm) flighting and hardened steel beater tips, providing a durable beater capable of handling almost anything. *PS 250 & PS 260 models can be upgraded to the heavy-duty vertical beaters.*

## ACCUSPREAD® SPINNER DISCHARGE

The new Gen II AccuSpread® spinner discharge provides the ability to consistently and evenly spread high-nutrient material at low application rates. The helical-style beater flighting provides excellent material breakup, even in tough materials such as pen pack. A free-floating lower deflector ensures that the material is placed on the spinner discs correctly, but also allows for movement in case of an obstruction or surge in material.



*All beater modules are easily removable for maintenance, stockpiling or switching of modules.*



## DUAL-APRON DESIGN

To ensure quality and dependability the PS 250, 260, 270 & 280 are equipped with a dual apron which helps to distribute the load more evenly. The dual apron features offset 1/4" x 1 1/2" x 2" steel slats which provide more consistent feeding of material. The dual apron also offers increased rigidity and longevity for both apron chains and slats. A 5/8" thick, two-piece poly floor ensures an easy and thorough cleanout every time.



## HYDRAULIC APRON DRIVE

Powering the apron on the PS 250, 260 and 270 is a hydraulic motor which has fewer moving parts compared to a mechanically driven apron, and provides independent operation of beaters and apron. This allows the operator infinite variability of apron speed. A built-in pressure relief valve provides protection for the apron drive. It requires less power and generates less heat, for better efficiency. It is specifically designed for commercial and heavy-duty applications. The gearbox is coupled directly to the drive shaft on all PS models. The entire apron on the PS 250, 260 & 270 is powered from the right-hand side of the unit. The PS 280 features dual hydraulic motors. Each gearbox is coupled directly to a single shaft offering greater efficiency and ability to convey large loads evenly without torsional twist on the apron shaft.

*PS 280*



#### SIDEWALL FLARE

The all-new sidewall flare provides increased heaping capacity without increasing the overall size of the machine. This makes the unit easier to load with the wider flotation tires. The new design also allows the sidewalls to be supported by fewer, yet stronger, exterior uprights.



#### HEAVY-DUTY GUILLOTINE GATE

A heavy-duty guillotine gate provides increased material metering capability. The new design reduces the possibility of material flow issues, such as lodging or bridging, by eliminating guide rails protruding inside of the box, as well as increasing opening height.



#### HYDRAULIC DISC BRAKES

Hydraulic disc brakes are more reliable in manure applications than drum or air brakes since they are easier to keep free of foreign material. The optional hydraulic brakes are activated using the hydraulic braking port provided on the tractor. *PS 270/280 come standard with hydraulic disc brakes, but can be ordered without.*



#### HEAVY-DUTY TANDEM AXLE & TIRE OPTIONS

A rugged, tandem axle allows the unit to travel across a wide range of terrain with ease. 8- or 10-bolt bogie systems utilize a simpler design with fewer moving parts which reduces maintenance requirements and increases dependability. Brakes and/or scales require a bolted spindle. If neither option is wanted a welded spindle will be used. 10-Bolt bogies are best suited in heavy material applications. Multiple tire arrangements are available ranging from truck, to implements, to high-flotation tires. Truck tires are durable for extended road travel, but provide limited flotation in the field. Implement tires provide good in-field flotation but have less durability during extended road travel. The high-flotation, low-profile tires provide good durability and flotation but have a higher price point versus the two other tire options. *PS 270/280 models only come with high-flotation tires.*







**PROSPREAD® PSC 161 / 171 / 181**

# A HEAVY-DUTY SPREADER FOR A HEAVY WORKLOAD

The PSC Series sets the standard for durability and versatility in the commercial box spreader class. Offering truck and trailer models across the line, and with three discharge options – horizontal beaters, vertical beaters or a spinner discharge – these high-capacity spreaders will efficiently spread a broad range of materials.

PSC models provide consistent, even spreading of almost any material, from pen pack and feedlot or dairy manure, to poultry litter, compost, bio-sludge and lime, as well as many other solid and flowable materials. With their unmatched combination of reliability, versatility and quality spreading performance, there is a model to meet the needs of any operation.



## A SOLID FOUNDATION

The heavy-duty undercarriage on trailer models provides a solid foundation to haul the heaviest loads. The rugged tandem axle adds strength and durability. It also provides greater flotation and more oscillating capability over uneven terrain to help limit soil compaction. Standard, two-wheel hydraulic disc brakes on the PSC 171 and PSC 181 provide a reliable braking system.



## HORIZONTAL BEATERS

A traditional design that provides good material breakup at an affordable price. Standard with two, 20" (50.8 cm) beaters. An optional lower beater is also available.

Hydraulic swing out beaters allow the operator to easily clear out rocks and other foreign objects. Hydraulic control provides the ability to swing the beaters out conveniently from the cab.



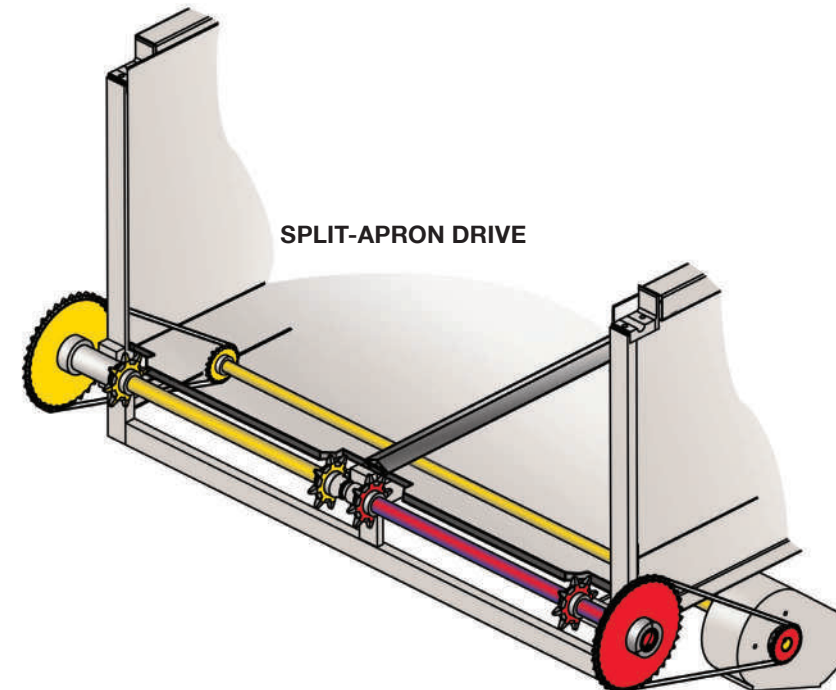
## VERTISPREAD® VERTICAL BEATERS

Rugged vertical beaters provide reliable performance in difficult conditions. An extra-heavy-duty option is available, with hardened beater teeth and thicker, 1/2" (1.3 cm) flighting (3/8" (0.95 cm) standard) for enhanced durability and longer life in the most demanding commercial applications.



## ACCUSPREAD® SPINNER DISCHARGE

The spinner discharge provides the ability to consistently and evenly spread high-nutrient material at low application rates. Twin spinner discs work together to provide a wide and uniform spread pattern, for a total spreading width up to 60' (18.3 m).



SPLIT-APRON DRIVE



PARALLEL-SHAFT GEARBOX

## RUGGED, INNOVATIVE DRIVE

With the innovative split-apron drive, each apron has a separate driveshaft, powered by a durable, efficient parallel-shaft gearbox. By splitting the drive, each individual chain only has to carry a quarter of the load, improving overall chain life. This more uniform loading of the apron chain also ensures that the apron shafts remain in line and do not twist due to uneven load distribution.



**PROSPREAD® PXL 185 / 1100 / 1120**

# THE NEW DEFINITION OF COMMERCIAL GRADE

The KUH N Knight PXL 100 Series ProSpread® apron box spreaders are high-capacity, commercial spreaders that provide producers with a reliable, heavy-duty machine designed for high usage. The PXL 100 Series is designed for agricultural and commercial applications that process a wide array of semi-solid and solid materials.

All three models are available as trailer models, while the PXL 185 and 1100 are also available as truck-mounted models. With three discharge options, horizontal beaters, VertiSpread® vertical beaters or an AccuSpread® spinner discharge, these spreaders will efficiently spread a broad range of materials giving you the ultimate versatility to match your operation's needs. This new Series of spreaders also feature a rugged tandem or tridem undercarriage, cushioned tongue suspension, guillotine endgate and reversible apron.



## A HEAVY-DUTY, SPRUNG UNDERCARRIAGE

The PXL 100 Series features a stout undercarriage to withstand heavy loads. Steerable axles come standard on tridem axles and optional on tandem. The PXL can be equipped with either 600/55R22.5 or 750/45R26.5 radial flotation tires. All PXL units are equipped with standard hydraulically activated drum brakes. Brakes provide added protection for both the machine and the operator, especially in hilly conditions.



## CUSHIONED TONGUE SUSPENSION

Rubber springs, located on the tongue, provide a cushioned suspension that protects the unit and tractor from potential shocks due to loading and traveling. This results in longer life and reduced wear for both the unit and tractor drawbar, and results in a better working experience for the operator.



**SPLIT-APRON DRIVE**

Each gearbox is coupled directly to a driveshaft and provides power to its respective side reducing the torsional twist on the apron shaft. The elimination of chains, due to the simple, all-gearbox design, greatly increases longevity while decreasing maintenance.



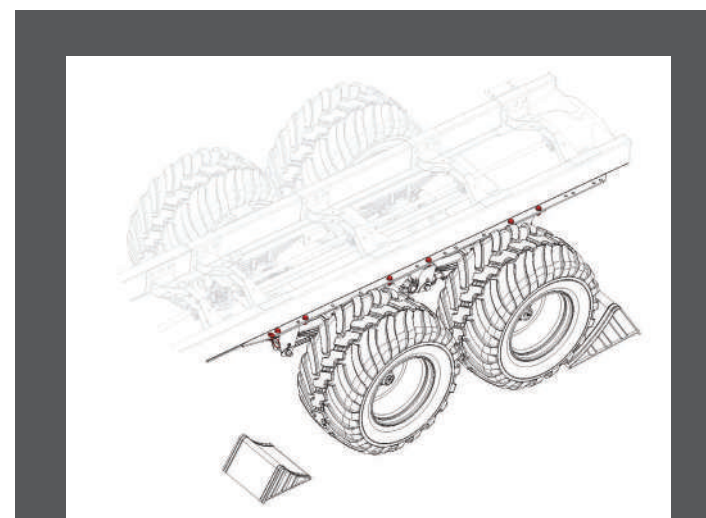
**GUILLOTINE ENDGATE**

This new endgate provides excellent metering capabilities and material flow management in a streamlined design. All PXL units come standard with a guillotine endgate and metering indicator.



**REVERSIBLE APRON**

Tensioner springs provide constant pressure on the apron to allow reversal of the apron to easily clear any unforeseen obstruction or blockage at the beaters. The heavy-duty AL88XH chain ensures a consistent and reliable material flow to the beaters.



**SLIDING TANDEM – PXL 1100**

The PXL 1100 is designed with the capability to mechanically adjust the axle position to achieve the appropriate tongue weight for different applications. The three different axle positions optimize traction and flotation, which is especially important in less than ideal conditions. The design is very similar to the sliding axles on semi trailers.

**TAILOR YOUR MACHINE TO FIT YOUR NEEDS**

All PXL units come with the choice of traditional horizontal beaters, VertiSpread® vertical beaters or an AccuSpread® spinner discharge, giving you the ability to customize your machine to your specific operation. All beater modules can be easily removed and safely stored, providing you with the versatility to use your machine for other tasks such as stockpiling, silage/haylage, or switching of modules to spread a different material.



**HORIZONTAL BEATERS**

A traditional design that provides good material breakup at an affordable price. Standard with three, 24" (61 cm) beaters, ensuring all material is processed completely. Module comes standard with rear beater pan.



**VERTISPREAD® VERTICAL BEATERS**

All PXL spreaders come with a heavy-duty vertical beater module, featuring 5/8" (1.6 cm) flighting and hardened beater tips mounted on a Berma SRT-22 gearbox drive. However, if you're not in need of the extra reinforcement, you can select the standard vertical beater module which features 1/2" (1.3 cm) flighting and standard steel beater tips mounted on a Berma SRT-20 gearbox drive.



**ACCUSPREAD® SPINNER DISCHARGE**

A spinner discharge provides the ability to consistently and evenly spread high-nutrient material at low application rates. The helical-style beater flighting provides excellent material breakup, even in tough materials such as pen pack. A free-floating deflector ensures that the material is placed on the spinner discs correctly, but also allows for movement in case of an obstruction or surge in material. All horizontal beaters are fully enclosed by a hydraulic swing-out door. A durable plastic liner provides increases wear protection and reduces friction, preventing material buildup or freeze down.





Kuhn North America offers several truck mounted spreader options including PSC and PXL models. Truck mounted options are a suitable option for many operations that require a high amount of road travel or those that frequently spread on firm soil. This option allows an operator to quickly get from the loading location to field and back again.

Truck mounted options are available across the entire line of PSC models and for the PXL 185 and PXL 1100. This provides truck mounted units with capacities ranging from 560 to 1,000 ft<sup>3</sup> (15.9 to 28.3 m<sup>3</sup>).

- ✓ Ideal for those with high amounts of road travel
- ✓ Higher travel speeds, resulting in greater efficiency
- ✓ Less wear and tear on your tractor
- ✓ Mounted in the same facility the spreader is produced



**MECHANICAL BEATER DRIVE**

The PSC and PXL truck mount beaters are driven mechanically off the truck transmission through either a right-angle or parallel-shaft gearbox reduction. The mechanical drive powers through torque spikes often seen during spreading and is more efficient than competitive hydraulic driven designs.



**FLOTATION TIRES**

Flotation tires help minimize compaction and maximize traction when hauling even the heaviest loads.

# MAXIMIZE EFFICIENCY AND SPREADING PERFORMANCE

**MAKE YOUR MANURE GO FURTHER, REDUCE YOUR COSTS, AND PROTECT YOUR OPERATION**  
KUHNS has partnered with Digi-Star to offer the latest in spreader scale systems. By combining GPS data with scale information, you now have the ability to record your manure application and control application rate in the field. With the NT 560 and Athene scale systems available, you can be sure to find the right fit for your operation.

**INCREASED FIELD-TO-FIELD EFFICIENCY**

Not every farm field is created equal. Certain zones of a field require different amounts of nutrients and fertilizer. By outfitting your KUHN Knight spreader with a Digi-Star scale system you can be confident that you are providing each field with exactly what it needs. This ability to cater to each field's needs will improve your farm's efficiency and reduce input costs through the long term.

**KEEPING YOUR OPERATION ACCOUNTABLE AND PROTECTED**

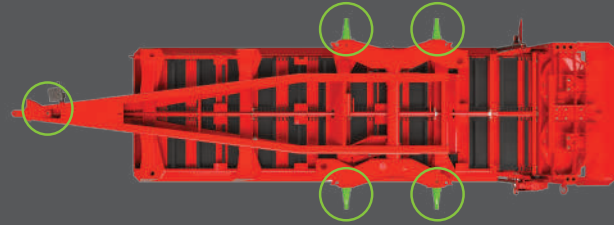
As additional manure application regulations are put into place, it is important that you protect yourself. This protection can be obtained with Digi-Star's spreader scale system's easy-to-use data acquisition. By combining GPS and weight information you can easily verify your manure application practices. With the added control of the Athene scale system you can further fine-tune your application rates to maximize your fertilizer stocks.





### SCALE SYSTEM CONFIGURATIONS

All ProSpread models, except the PS 235, have an optional scales system available for nutrient tracking. All PS models will be equipped with a 5-bar scale system with a hitch bar and four spindle bars. The PSC and PXL weighbars are located between the trailer and unit shell frames and will consist of four, six, or eight bars depending on the spreader size.



### SPREADER SCALE SYSTEMS NT 560

## ACCURATELY RECORD YOUR NUTRIENT APPLICATION

#### REAL-TIME DATA:

The NT 560 scale head delivers live data to you as you spread. Important parameters such as ground speed, acres covered and more importantly application rate are shown live on an easy-to-read digital screen.

#### AUTOMATIC DATA LOGGING WITH AUTOLOG:

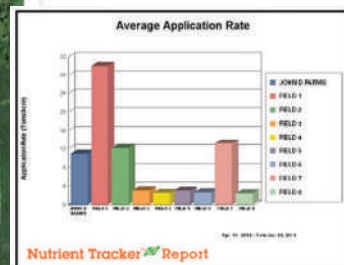
Have peace of mind knowing that your manure application data will be recorded with each load. No need to remember to push the Start/Stop button when unloading your spreader. With AutoLog, it is done automatically no matter who is in the driver's seat. The AutoLog function will measure PTO or floor chain RPM to initiate either a start or stop sequence ensuring everything is recorded.

#### CONVENIENT DATA TRANSFER:

Equipped with a USB port, the NT 560 scale head makes data transfer between your computer and the field easy. Simply plug in your flash drive to the scale head, upload the data, and transfer the information to your Nutrient Tracker PC Software to create application maps and view spreading history. The NT 560 itself can store up to 32 hours of data, equating to 400 loads.



### DIGI★STAR Nutrient Tracker



#### APPLICATION RATE MAP:

Map your recorded application rates through Nutrient Tracker Software. This software is provided with the NT 560 indicator and is capable of producing a variety of reports on your PC. Reports can be read by programs such as Microsoft Excel, Adobe Acrobat, and Microsoft Internet Explorer.

### SPREADER SCALE SYSTEMS ATHENE

## ATHENE ISOBUS SPREAD RATE CONTROL

For the ultimate level in manure management systems, outfit your KUHN Knight manure spreader with the Athene ISOBUS Spread Rate Control System. If the operator has an ISOBUS compatible terminal, they can control all machine functions on that screen. For controlling the machine on a non-ISOBUS tractor, an operator can purchase the CCI 50 or CCI 1200 with harness running off a 12V power source.

#### TIME SAVING BENEFITS

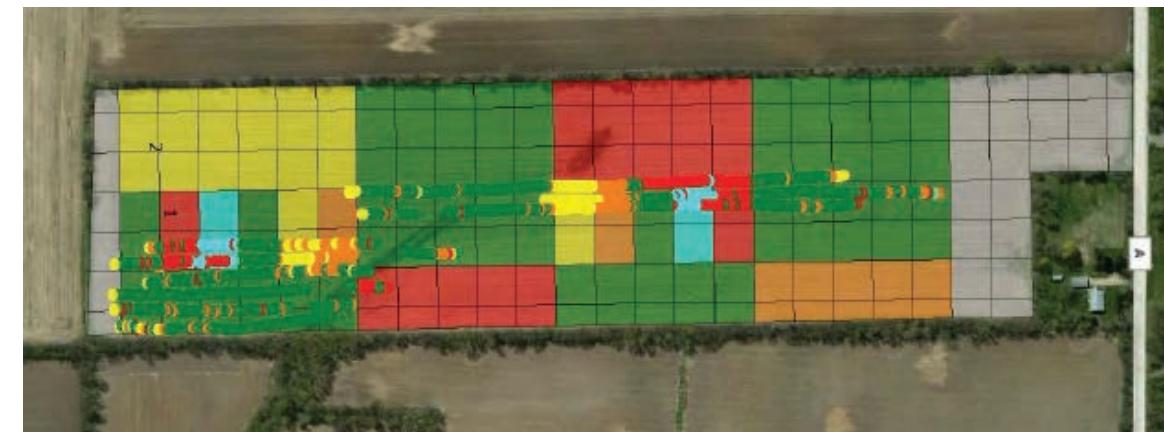
- Application rate maintained by varying the unloading rate in proportion to ground speed
- Traceability with complete as-applied data records to meet needs of custom applicators, land owners and government agencies
- Fully compatible with additional third party precision farming interfaces

#### THREE SPREAD MODES

**Automatic Control Mode:** This mode gives fully automated rate control. Floor speed is automatically regulated as forward speed varies to match the preset application rate.

**Manual Control Mode:** Gives the user manual control of the application rate by changing the floor speed using the up or down arrows.

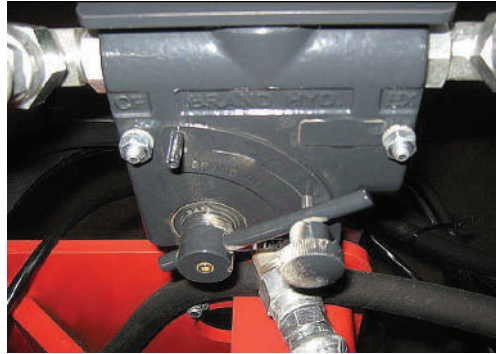
**Variable-Rate Treatment (VRT) Control Mode:** This mode allows the system to be controlled using a variable rate prescription map. For the system to function in VRT mode the terminal must be connected to an ISOBUS GPS receiver. For non-ISO tractors using a CCI 50 or CCI 1200 monitor, KUHN offers a receiver to enable position based rate control. In addition to variable rate control, the system will also log as-applied data for record keeping, reporting or invoicing.



This map shows an example utilizing the VRT Control Mode to precisely control the spreading rate based on a specific prescription map.



# OPTIONAL EQUIPMENT



### MANUAL SPEED FLOW CONTROL

The variable speed flow control may be needed for spreading different materials and for quicker final cleanout when no variable speed hydraulic control is available on the tractor.



### ELECTRIC SPEED FLOW CONTROL

An option for tractors that do not have flow control capabilities, the electric flow control allows the operator to easily adjust the apron speed from inside the cab to suit specific materials or speeds. This provides increased flexibility when spreading a variety of materials.



### APRON SPEED-UP KIT

The apron speed-up kit can be used in conjunction with the silage kit to provide a faster apron speed for quicker unloading in silage hauling applications. *(PSC Only)*



### SILAGE KIT

Make your PSC or PXL box spreader do more by adding a silage kit. The silage kit includes an endgate and steel side extensions, allowing you to quickly convert the spreader to a live-bottom silage box for unmatched versatility. *(PSC & PXL Models Only)*



### TARP

Kuhn North America has partnered with Shurco® to offer a tarp option. The tarp kit fits all three PXL models, both in manure or silage mode. The tarp allows customers to secure loads for safe road travel. *(PXL Only)*

# TIRE OPTIONS



### TRUCK TIRE

Sizes available – 385/65R22.5, 425/65R22.5  
Affordable yet reliable, our recapped truck tires feature excellent load carrying capability while providing great wear characteristics, especially in applications requiring higher amounts of road travel.

### IMPLEMENT TIRE

Sizes available – 16.5L x 16.1, 19L x 16.1, 21.5L x 16.1  
Standard implement tires provide a cost-effective flotation option for field oriented applications with less road travel.

### HIGH FLOAT, LOW-PROFILE IMPLEMENT

Sizes available – 400/55-17.5, 550/45-22.5, 600/55-22.5, 600/55-26.5, 700/50-26.5, 600/55R22.5, 750/45R26.5  
These high-float implement tires are ideal for both field applications and road transport. They offer the most flotation for spreaders.

# SPECIFICATIONS PSC & PXL TRUCK MODELS



## Technical Specifications

	PSC 161 TRUCK	PSC 171 TRUCK	PSC 181 TRUCK	PXL 185 TRUCK	PXL 1100 TRUCK
	Horizontal/Vertical/Spinner			Horizontal/Vertical/Spinner	
Struck Level	380 ft³ (10.8 m³)	450 ft³ (12.7 m³)	520 ft³ (14.7 m³)	600 ft³ (17 m³)	700 ft³ (20 m³)
Heaped	560 ft³ (15.9 m³)	665 ft³ (18.8 m³)	770 ft³ (21.8 m³)	865 ft³ (25 m³)	1,000 ft³ (28 m³)
Silage Kit - Struck Level	836 ft³ (31 m³)	974 ft³ (28 m³)	1,112 ft³ (32 m³)	1,059 ft³ (30 m³)	1,221 ft³ (35 m³)
Maximum Net Load	39,500 lbs (17,917 kg)	46,000 lbs (20,865 kg)	52,500 lbs (23,814 kg)	50,000 lbs (22,680 kg)	50,000 lbs (22,680 kg)
Overall Length	250"/268"/264" (635/681/671 cm)	286"/304"/300" (727/772/762 cm)	322"/340"/336" (818/864/854 cm)	300"/310"/315" (732/787/800 cm)	340"/350"/355" (864/890/902 cm)
Inside Box Length	216" (549 cm)	252" (640 cm)	288" (732 cm)	252" (640 cm)	288" (732 cm)
Inside Box Depth	41" (104 cm)			48" (122 cm)	
Inside Box Width	81.5" (207 cm)			Top: 94" (239 cm) Bottom: 84" (213 cm)	
Overall Height - Top of Beaters	105"/135"/128" (267/343/325 cm)			145"/148"/139" (368/376/353 cm)	
Overall Height - Top of Thrown Object Shield	132" (335 cm)	142" (361 cm)	142" (361 cm)	140" (356 cm)	
Loading Height	102" (259 cm)			113" (287 cm)	
Overall Tread Width	103" (262 cm)			102" (260 cm)	
Unit Weight	7,500/8,750/9,750 lbs (3,402/3,969/4,423 kg)	8,100/9,350/10,350 lbs (3,674/4,241/4,695 kg)	8,650/9,900/10,900 lbs (3,924/4,491/4,944 kg)	15,000/15,600/15,900 lbs (6,804/7,076/7,212 kg)	16,600/17,200/17,500 lbs (7,530/7,802/7,938 kg)
Standard Number of Beaters	2			3/2/2	
Number of Paddles or Teeth	16 Paddles/32 Teeth/88 Teeth			16 Paddles/32 Teeth/28 Teeth	
Beater Diameter	20"/40.5"/41" (51/103/104 cm)			24"/42.5"/42.5" (61/108/108 cm)	
Lower Beater Diameter	Optional 14.4"/-/-			Standard 24"	
Paddle or Flighting Thickness	0.5"/0.38"/0.38" (1.3/1/1 cm)			0.5"/0.5" or 0.6"/0.38" (1.3/1.3 or 1.6/1 cm)	
Overload Protection	Torque-Disconnect			Torque-Disconnect	
Removable Beater Assembly	Standard			Standard	
Hydraulic Swing-Out	Standard/-/-			-	
PTO Drive Speed	1,000 rpm			1,000 rpm	
Number of Aprons	2			2	
Shaft Diameter	2" (5 cm)			2" (5 cm)	
Sprockets	8-Tooth			8-Tooth	
Chain	667 XH Pintle			AL88XH Pintle	
Slat Size	0.25"x1.5"x2.0" (0.6x3.8x5.0 cm)			2.5"x2.0"x0.375" (6.4x5.1x1 cm)	
Slats per Apron	39	45	52	40	46
Drive	Variable speed hydraulic apron drive with electronic flow control valve			Variable speed hydraulic apron drive with electric flow control valve	
Reversible Apron	-			Standard	
Front Panel and Sides	10 GA			10 GA	
Floor	0.75" (1.9 cm) Poly			0.75" (1.9 cm) Poly	
Endgate	Swinging/Swinging or Metering/Metering			Guillotine	
Truck Subframe	Tandem Axle			Tandem Axle with Pusher	Tandem Axle with Pusher
Diaper Pan	Standard/-/-			Standard/-/-	

# SPECIFICATIONS PS 235-280 TRAILED MODELS



## Technical Specifications

	PS 235 TRAILER	PS 242 TRAILER	PS 250 TRAILER	PS 260 TRAILER	PS 270 TRAILER	PS 280 TRAILER
	Horizontal/Vertical	Horizontal/Vertical/Spinner	Horizontal/Vertical/Spinner	Horizontal/Vertical/Spinner	Vertical/Spinner	Vertical/Spinner
Struck Level	165/160 ft³ (4.8/4.5 m³)	220 ft³ (6.2 m³)	335 ft³ (9.5 m³)	395 ft³ (11.2 m³)	480 ft³ (13.6 m³)	560 ft³ (13.6 m³)
Heaped	285/275 ft³ (8.1/7.8 m³)	360 ft³ (10.2 m³)	500 ft³ (14.2 m³)	600 ft³ (17 m³)	690 ft³ (19.5 m³)	800 ft³ (22.7 m³)
Maximum Net Load	Single 8-Bolt: 12,300 lbs (5,579 kg) Single 10-Bolt: 19,300 lbs (8,754 kg) Tandem 8-Bolt: 19,300 lbs (8,754 kg)	23,100 lbs (10,478 kg)	8-Bolt: 26,000 lbs (11,793 kg) 10-Bolt: 32,500 lbs (14,747 kg)	39,000 lbs (17,690 kg)	44,850 lbs (20,344 kg)	52,000 lbs (23,590 kg)
Overall Length	249"/263" (632/668 cm)	272"/287"/298" (691/729/757 cm)	287"/307"/312" (729/780/792 cm)	336"/356"/362" (853/904/919 cm)	359"/363" (912/922 cm)	397"/403" (1,008/1,024 cm)
Inside Box Length	168" (427 cm)	195" (495 cm)	210" (533 cm)	240" (610 cm)	240" (610 cm)	278" (706 cm)
Inside Box Depth	26" (66 cm)	30" (76 cm)	37" (94 cm)	39" (99 cm)	48" (122 cm)	
Inside Box Width	72" (183 cm)		Top: 80" (203 cm) Bottom: 72" (183 cm)			
Overall Height - Top of Beaters	82"/91" (208/231 cm)	83"/91"/93" (211/231/236 cm)	101"/109"/101" (257/277/257 cm)		118"/101" (300/257 cm)	126"/122" (320/310 cm)
Overall Height - Top of Thrown Object Shield	-/104" (-/264 cm)	-/109"/109" (-/277/277 cm)	110" (279 cm)	112" (284 cm)	128" (325 cm)	
Loading Height	64" (163 cm)	68" (173 cm)	75" (191 cm)	78" (198 cm)	93" (236 cm)	
Overall Tread Width	118" (300 cm)	121" (307 cm)	123" (312 cm)	127" (323 cm)	134" (340 cm)	
Ground Clearance	16" (41 cm)		15"/16"/14" (38/41/36 cm)		25"/19" (64/48 cm)	
Unit Weight	6,100/7,000 lbs (2,767/3,175 kg)	7,400/8,300/9,300 lbs (3,357/3,765/4,218 kg)	8,700/10,700/12,000 lbs (3,946/4,853/5,443 kg)	10,600/12,500/13,800 lbs (4,808/5,670/6,260 kg)	16,000/16,800 lbs (7,258/7,620 kg)	18,500/19,200 lbs (8,391/8,709 kg)
Minimum PTO Power Requirement	80/90 hp (60/67 kW)	90/100/100 hp (67/75/75 kW)	120/140/140 hp (90/104/104 kW)	140/160/160 hp (104/119/119 kW)	180 hp (134 kW)	200 hp (150 kW)
Standard Number of Beaters	1/2	1/2/2	2			
Number of Paddles or Teeth	14 Paddles/18 Teeth	14 Paddles/18 Teeth/24 Teeth	14 Paddles/24 Teeth/24 Teeth		32 Teeth	
Beater Diameter	26"/37.5" (66/95 cm)	26"/37.5"/19.25" (66/95/49 cm)	20"/37.5"/19.25" (50/95/49 cm)	20"/37.5"/19.25" (50/95/49 cm)	37.5"/23.5" (95/60 cm)	37.5"/23.5" (95/60 cm)
Upper Beater Diameter	Optional 14" (36 cm) / -	Optional 14" (36 cm) / - / -	-			
Lower Beater Diameter	Optional 10" (25 cm) / -	Optional 10" (25 cm) / - / -	Optional 10.25" (26 cm)		-	
Paddle or Flighting Thickness	0.38" (1 cm)		0.38"/0.38" or 0.6"/0.38" (1.0/1.0 or 1.6/1.0 cm)		0.6"/0.38" (1.6/1 cm)	
Overload Protection	Shear Bolt/Torque-Disconnect	Shear Bolt/Torque-Disconnect/Torque-Disconnect	Shear Bolt/Torque-Disconnect/Torque-Disconnect	0.38"/0.38" or 0.6"/0.38" (1.0/1.0 or 1.6/1.0 cm)	Torque-Disconnect	
Removable Beater Assembly	No/Yes	No/Yes/Yes	Yes			
Beater Drive	PTO		PTO			
PTO Drive Speed	540-1,000 rpm	540-1,000/540-1,000/1,000 rpm	540-1,000/1,000/1,000 rpm	1,000 rpm		
Number of Aprons	2		2			
Shaft Diameter	2" (5 cm)		2" (5 cm)			
Sprockets	6-Tooth	6-Tooth	6-Tooth			
Chain	T-bar or Pintle/Pintle	T-bar or Pintle/Pintle/Pintle	667 X Pintle , 667 XH Pintle	667 XH Pintle		
Slat Size	0.25"x1.5"x2" (0.6x3.8x5.0 cm)		0.25"x1.5"x2" (0.6x3.8x5.0 cm)			
Slats per Apron	23 pintle, 20 T-Bar	25 pintle, 23 T-Bar/25 pintle/ 25 pintle	28	32	37	
Drive	Hydraulic		Hydraulic			
Front Panel and Sides	10 GA		10 GA			
Floor	0.6" (1.6 cm) Poly		0.6" (1.6 cm) Poly			
Endgate	Swinging	Swinging/Guillotine/Guillotine	Guillotine			
Trailer Axle	Single 8-Bolt, Single 10-Bolt, Tandem 8-Bolt	Tandem Bogie	Tandem Bogie			
Spindle Diameter	3", 3.75", 2.5" (7.6, 9.5, 6.4 cm)	3" (7.6 cm)	3", 3.38" or 3.75" (7.6, 8.6 or 9.5 cm)	3.38" or 3.75" (8.6 or 9.5 cm)	4.5" (11.4 cm)	4.5" (11.4 cm)
Hubs	8-Bolt or 10-Bolt	8-Bolt	8-Bolt or 10-Bolt	10-Bolt	10-Bolt	10-Bolt
Brakes	No	No	Optional	Optional	Optional	Optional

# SPECIFICATIONS PSC & PXL TRAILED MODELS



## Technical Specifications

	PSC 161 TRAILER	PSC 171 TRAILER	PSC 181 TRAILER	PXL 185 TRAILER	PXL 1100 TRAILER	PXL 1120 TRAILER
	Horizontal/Vertical/Spinner			Horizontal/Vertical/Spinner		
Struck Level	380 ft³ (10.8 m³)	450 ft³ (12.7 m³)	520 ft³ (14.7 m³)	600 ft³ (17 m³)	700 ft³ (20 m³)	850 ft³ (24 m³)
Heaped	560 ft³ (15.9 m³)	665 ft³ (18.8 m³)	770 ft³ (21.8 m³)	865 ft³ (25 m³)	1,000 ft³ (28 m³)	1,230 ft³ (35 m³)
Silage Kit - Struck Level	836 ft³ (31 m³)	974 ft³ (28 m³)	1,112 ft³ (32 m³)	1,059 ft³ (30 m³)	1,221 ft³ (35 m³)	1,471 ft³ (42 m³)
Maximum Net Load	39,500 lbs (17,917 kg)	46,000 lbs (20,865 kg)	52,500 lbs (23,814 kg)	50,000 lbs (22,680 kg)	Tandem axle: 50,000 lbs (22,880 kg) Tridem axle: 60,000 lbs (27,216 kg)	72,000 lbs (32,650 kg)
Overall Length	307"/325"/321" (780/826/815 cm)	344"/362"/358" (874/919/909 cm)	380"/398"/394" (965/1,011/1,001 cm)	365"/375"/380" (927/953/965 cm)	405"/415"/420" (1,030/1,054/1,067 cm)	465"/475"/480" (1,181/1,207/1,220 cm)
Inside Box Length	216" (549 cm)	252" (640 cm)	288" (732 cm)	252" (640 cm)	288" (732 cm)	360" (914 cm)
Inside Box Depth	41" (104 cm)			48" (122 cm)		
Inside Box Width	81.5" (207 cm)			Top: 94" (239 cm) Bottom: 84" (213 cm)		
Overall Height - Top of Beaters	110"/139"/133" (279/353/338 cm)	117"/144"/138" (297/366/351 cm)		146"/149"/140" (370/378/356 cm)		
Overall Height - Top of Thrown Object Shield	137" (348 cm)	142" (361 cm)		141" (358 cm)		
Loading Height	104" (264 cm)	112" (285 cm)		115" (292 cm)		
Overall Tread Width	108" (274 cm)			113" (287 cm)		
Ground Clearance	27"/36"/31" (69/91/79 cm)	35"/44"/39" (89/112/99 cm)		31"/34"/34" (79/86/86 cm)		
Unit Weight	13,950/15,200/16,200 lbs (6,328/6,895/7,348 kg)	17,250/18,500/19,500 lbs (7,825/8,391/8,845 kg)	18,200/19,500/20,500 lbs (8,255/8,845/9,300 kg)	22,300/23,000/23,300 lbs (10,115/10,433/10,570 kg)	24,000/24,700/25,000 lbs (10,886/11,204/11,340 kg)	26,000/26,800/27,000 lbs (11,793/12,156/12,247 kg)
Minimum PTO Power Requirement	160 hp (119 kW)	190 hp (142 kW)	220 hp (164 kW)	200 hp (150 kW)	220 hp (164 kW)	250 hp (186 kW)
Standard Number of Beaters	2			3/2/2		
Number of Paddles or Teeth	16 Paddles/32 Teeth/88 Teeth			16 Paddles/32 Teeth/28 Teeth		
Beater Diameter	20"/40.5"/41" (51/103/104 cm)			24"/42.5"/42.5" (61/108/108 cm)		
Lower Beater Diameter	Optional 14.4"/-			Standard 24"		
Paddle or Flighting Thickness	0.5"/0.38"/0.38" (1.3/1/1 cm)			0.5"/0.5" or 0.6"/0.38" (1.3/1.3 or 1.6/1 cm)		
Overload Protection	Torque-Disconnect			Torque-Disconnect		
Removable Beater Assembly	Standard			Standard		
Hydraulic Swing-Out	Standard/-/-			-		
PTO Drive Speed	1,000 rpm			1,000 rpm		
Number of Aprons	2			2		
Shaft Diameter	2" (5 cm)			2" (5 cm)		
Sprockets	8-Tooth			8-Tooth		
Chain	667 XH Pintle			AL88XH Pintle		
Slat Size	0.25"x1.5"x2.0" (0.6x3.8x5.0 cm)			2.5"x2.0"x0.375" (6.4x5.1x1 cm)		
Slats per Apron	39	45	52	40	46	56
Drive	Hydraulic			Hydraulic		
Reversible Apron	-			Standard		
Front Panel and Sides	10 GA			10 GA		
Floor	0.75" (1.9 cm) Poly			0.75" (1.9 cm) Poly		
Endgate	Swinging/Swinging or Metering/Metering			Guillotine		
Trailer Axle	Tandem Bogie			Tandem Sprung: straight or rear steering	Tandem Sprung: straight or rear steering Tridem Sprung: front and rear steering	Tridem Sprung: straight or rear steering
Spindle Diameter	3.38" (8.6 cm)	5" (12.7 cm)		-		
Hubs	10-Bolt			10-Bolt		
Diaper Pan	Standard/-/-			Standard/-/-		
Brakes	-	Standard Hydraulic Disc		Standard Hydraulic Drum		



# MyKUHNS

THE LINK TO MY SUCCESS

MyKUHNS is your online customer portal where you can access machine operator's manuals, parts catalog and more! The site is available on computer, phone or tablet, so you can access your fleet's information anywhere around the farm. Create an account and register your KUHNS equipment today.



## MORE PRODUCTS TO MEET YOUR NEEDS!



1. Mowers - 2. Tedders - 3. Round Balers - 4. Bale Processors - 5. Manure Spreaders - 6. Primary Tillage Systems

KUHNS NORTH AMERICA, INC. | Corporate Headquarters | 1501 West Seventh Avenue - Brodhead, WI 53520

For more information about your nearest KUHNS dealer, visit our website [www.kuhn.com](http://www.kuhn.com)

Information given in this document is only for informational purposes and is non-contractual. Our machines are in compliance with North American safety standards. In our literature, and for improved illustration of certain details, some safety devices may not be in operating position. When operating these machines, these devices must be operated in accordance with the requirements indicated in the operator's manuals and assembly manuals. We reserve the right to change any designs, specifications or materials listed without further notice. Machines and equipment in this document can be covered by at least one patent and/or registered design. Trademarks cited in this document may be registered in one or several countries.

Printed in USA 706500US 1022 Copyright 2022 Kuhn North America, Inc.

