



Make effort look effortless.



Cannon Alpha

GO WITH MORE

Cannon Alpha. Make effort look effortless.

Contents	Page 1
Introduction	Page 2
Design	Page 8
Performance	Page 14
Technology	Page 18
Safety	Page 20
GWM Care	Page 24
Colour	Page 26
Dimensions	Page 28
Specifications	Page 30

Say hello to GWM.



GWM is a world-renowned vehicle manufacturer capable of designing and producing SUVs, utes and powertrains simultaneously. At GWM, everything we do is grounded in our corporate philosophy: ‘improving little by little every day.’

From building world-class research and development systems, which enable continuous innovation, to following the ‘excessive investment’ principle, which drives industry leadership, we relentlessly put our philosophy into practice. We are proud to make vehicles that combine the best components, technology and safety features from around the world. With over 2.5 million ute and pick up’s sold globally (and counting), we are a proud maker of durable utilitarian vehicles for over 25 years.

We attribute our success to passion, drive and a commitment to listening to our customers.

Australia's first ever full hybrid ute

Utes aren't what they used to be. Introducing a new breed unlike anything you've seen, sat in or driven before. With its powerful 2.0L turbo hybrid engine variant, the all-new Cannon Alpha hybrid provides more on road performance and greater off road possibilities than you ever imagined. Put your foot down and feel the smile spread across your face as you instantly sense the huge hefty hybrid kick into overdrive. Now you can tow, haul, drag, pull, push or lug almost anything with ease.



Larger, smarter,
and gutsier
than ever.



With incredible on road performance and unbelievable off road possibilities, the Cannon Alpha hybrid is the most powerful ute we have ever built.



Grand doesn't do the Cannon Alpha justice. This vehicle is about as lavish and well-appointed as a ute can get with a host of opulent interior specifications combined with a collection of striking exterior design features. These include an overhauled centre console with two new larger tablet-style screens surrounded by attractive woodgrain style trim. The new three spoke faux leather accented steering wheel and soft, supple front and rear seats are our most comfortable yet. Squarer LED headlights create a sense of exterior style and sophistication. And the 60/40 split-swinging tailgate adds a touch of design class providing easier access to the tray.

Our most stylish and luxurious ute ever.



LED tail lights



18" alloy wheels



60/40 split tailgate*

**Ultra variant only*



Wireless charging port



*Front passenger VIP switch**

**Ultra variant only*



Premium appointed cabin

A new breed of performance.



Packing a powerful 2.0L Turbo Hybrid engine capable of producing 255kW of power with 648Nm of torque or a 2.4L Turbo Diesel variant generating 135kW and 480Nm of torque, it's no surprise the Cannon Alpha is the 'top-dog' amongst the fleet. Complete with a 9 speed automatic transmission, a 3.5 tonne towing capacity and on demand 4WD system with 3 driving modes, it makes carrying a light load or towing a large boat or caravan a breeze.

The advanced 4x4 system is engineered by respected global supplier Borg Warner and provides the driver with superior technology including a rear differential lock and 4WD low range to tackle tough environments for when things get a bit loose off-road.

**Packing a powerful
2.0L Turbo Hybrid
engine or a 2.4L
Turbo Diesel variant**



Smart tech never looked smarter

State of the art is now a work of art thanks to the new styled 12.3 or 14.6 inch touchscreen panel letting you control all your infotainment from one screen and view all your vehicles gauges, alerts, digital instruments, and safety systems from the other. You can even see a 360° view of the vehicle while driving. Plus, a wireless charging dock, keyless entry and push button start creates a smarter, more effortless overall driving experience.



Built to the safest standards.

With over 100 of the very latest active and passive safety features built into every ute, the Cannon Alpha is proving to be one of the safest in its class. These features include Automatic Emergency Braking, Lane Keep Assist, a Driver Fatigue Monitoring System and Traffic Sign Recognition.

Protection from all angles.



Smart tech, active and passive safety features and front and side monitoring mean worry-free driving.

GWM Care

Every GWM comes with GWM Care. It begins from the moment you take delivery of your vehicle and continues long into the future. Wherever the road leads, you can rest assured knowing that your GWM will be kept at its best for many years to come.



8 Year Unlimited
KM Battery Pack
Warranty

7 Year
Unlimited KM
Warranty

7 Year
Roadside
Assist

7 Year
Capped Price
Servicing

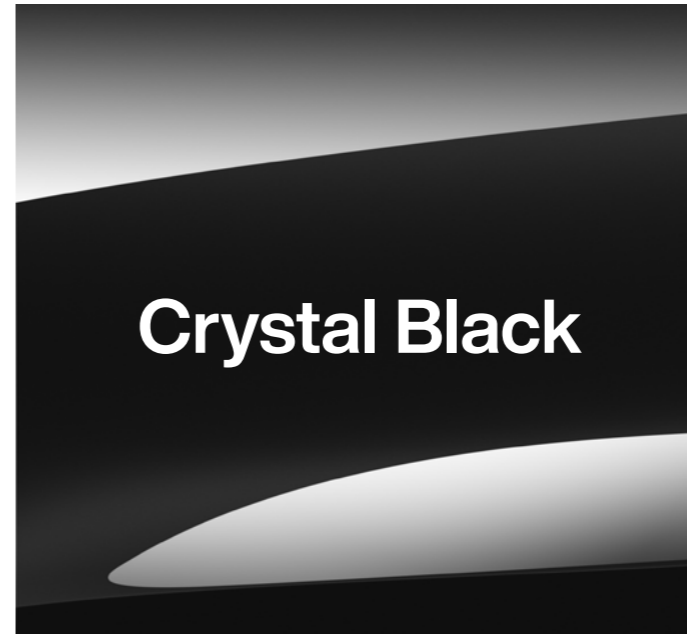
*Terms and conditions apply

GWM vehicles are available in a range of stunning contemporary colours.



Marble White

Premium Colour (+\$595)



Crystal Black

Premium Colour (+\$595)



Onyx Silver



Mars Red

Premium Colour (+\$595)

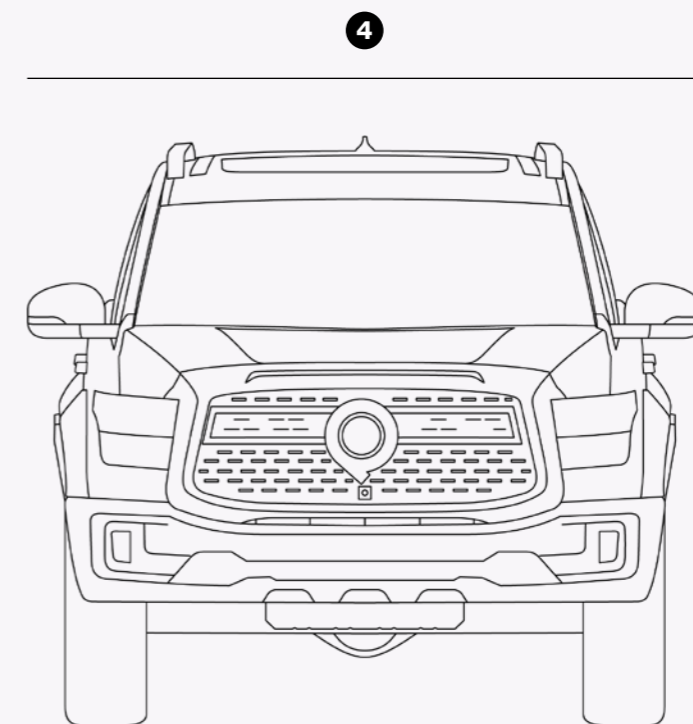
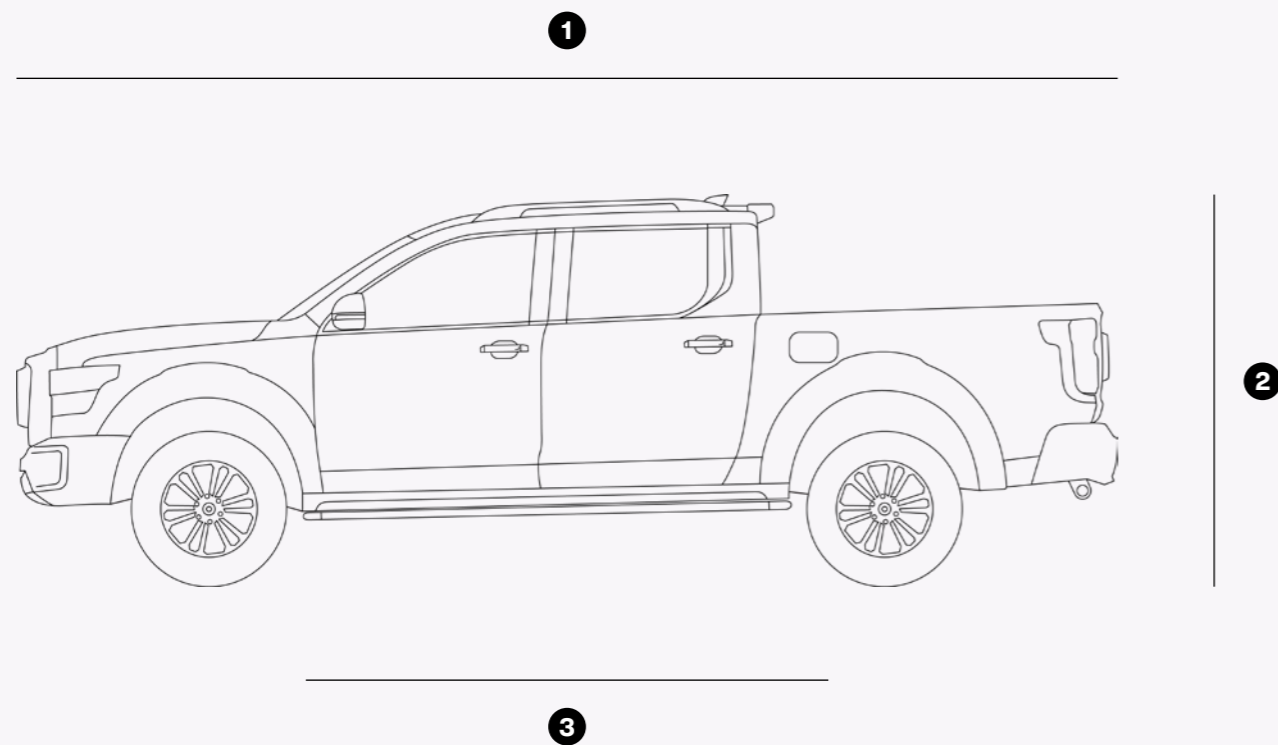


Storm Grey

Premium Colour (+\$595)

Colour

- ① Length: 5445mm
- ② Height: 1924mm
- ③ Wheelbase: 3350mm
- ④ Width: 1991mm



Dimensions

		Lux - Turbo Diesel	Ultra - Turbo Diesel	Ultra - Hybrid
Dimensions	Length/Width/Height (mm) ¹	5445×1991×1924	5445×1991×1924	5445×1991×1924
	Wheelbase (mm)	3350	3350	3350
	Min ground clearance (mm) ¹	224	224	224
	Approach/Break over/Departure angle ^{*1}	28.5°/19°/23°	28.5°/19°/23°	28.5°/19°/23°
	Wading depth (mm)	800	800	800
	Turning circle – kerb to kerb (m)	13.0m	13.0m	13.0m
Engine	2.4L Turbo diesel	●	●	
	2.0L Turbo petrol hybrid			●
	Displacement (cm ³)	2370	2370	1998
	Max power (kW@rpm)	135 @ 3600	135 @ 3600	Electric motor 78 kW; Petrol engine 180 kW; Combined 255 kW;
	Max torque (Nm@rpm)	480@1500-2500	480@1500-2500	Electric motor 268 Nm; Petrol engine 380 Nm; Combined 648 Nm;
	Compression ratio	16:1	16:1	11:1
	Fuel economy (L/100km) combined ²	8.9	8.9	9.8
	Fuel economy (L/100km) Urban ²	10.2	10.2	8.9
	Fuel economy (L/100km) Extra urban ²	8.2	8.2	10.4
	Co2 emissions (g/km) ²	234	234	225
	Recommended fuel octane rating	Diesel	Diesel	Petrol 91
	Emission standard	Euro 5	Euro 5	Euro 5
Transmission	9-Speed Automatic Transmission (9AT)	●	●	
	9-Speed Hybrid Automatic Transmission (9HAT)			●
	Driveline	4WD	4WD	4WD
	Gear Ratios		1st 5.288, 2nd 3.243, 3rd 2.252, 4th 1.636, 5th 1.211, 6th 1.000, 7th 0.867, 8th 0.717, 9th 0.598, reverse 4.648	
Weights and Capacities	Braked towing capacity (kg) ³	3500	3500	3500
	Unbraked towing capacity (kg) ³	750	750	750
	Maximum downball weight (kg)	350	350	350
	Maximum payload (kg)	821	760	735
	Kerb weight (kg) ¹	2489	2550	2575
	Tare weight (kg) ¹	2432	2493	2526
	Max front axle load (kg)	1680	1680	1680
	Max rear axle load (kg)	2250	2250	2250
	Gross Vehicle Mass (kg) ¹	3310	3310	3310
	(GCM) (kg) ¹	6555	6555	6555

Specifications

		Lux - Turbo Diesel	Ultra - Turbo Diesel	Ultra - Hybrid
Weights and Capacities Continued	Seating capacity	5	5	5
	Fuel tank capacity (L)	78	78	80
Chassis and Steering	Suspension	Front: coil spring double wishbone Rear: leaf spring live axle		
	Brakes	Front and Rear: vented disc brakes		
	Intelligent Start-Stop (ISS)	●	●	●
	Auto Hold	●	●	●
	Paddles Shifter	●	●	●
	Rear Differential Lock (Electric)	●	●	●
	Front Differential Lock (Electric)		●	●
	Electronic park brake	●	●	●
	Trailer Sway Mitigation	●	●	●
Driving Mode: Standard, Sport, Eco, 4H, 4L	●	●	●	
Exterior	18" alloy wheels	●	●	●
	265/60 R18	●	●	●
	Full size spare - steel	●	●	●
	Type Pressure Monitor System (TPMS)	●	●	●
	Mirrors: Manual Fold + Electric Adjustment + Indicator	●		
	Mirrors: Auto Fold + Electric Adjustment + Indicator		●	
	Mirrors: Memory + Auto Fold + Electric Adjustment + Indicator			●
	Roof rails	●	●	●
	Side step - fixed	●	●	●
	Shark fin antenna	●	●	●
	C pillar storage	●	●	●
	Tailgate electronic lock	●	●	●
	Tailgate - one piece	●		
	Split tailgate (60:40)		●	●
	Rear privacy glass	●	●	●
	Rear electric sliding window		●	●
	Rear Windshield Defrosting	●		
	Four door window auto up/down + anti pinch	●	●	●
	Soundproof Glass (Rear Door + Front Windshield)	●	●	●
	Panoramic Sunroof		●	●
Window Short Lift/Drop	●	●	●	
Sunvisor with vanity mirror	●			
Sunvisor with illuminated vanity mirror		●	●	
Automatic windscreen wipers	●	●	●	
Manual-dimming rear view mirror	●			
Auto-dimming rear view mirror		●	●	

		Lux - Turbo Diesel	Ultra - Turbo Diesel	Ultra - Hybrid
Exterior Continued	Electric Power Steering (EPS)	●	●	●
	Manual adjustable steering wheel (tilt and reach)	●	●	●
	Faux leather steering wheel	●	●	●
	Heated steering wheel			●
	Multifunction steering wheel	●	●	●
	Steering Model (Light, Comfort, Sport)	●	●	●
Lights	Headlight levelling - manual	●	●	●
	LED headlights	●	●	●
	Auto headlight	●	●	●
	Auto highbeam	●	●	●
	Follow me home function	●	●	●
	Daytime Running Light (DRL)	●	●	●
	LED taillights	●	●	●
	LED front fog lights (steering)		●	●
	Rear fog light	●	●	●
	LED-High-Mounted Stop lamp	●	●	●
	Tray light	●	●	●
	64 Color ambient light			●
	Puddle lamp	●	●	●
	Glove box light		●	●
	Foot well light			●
Sunglasses holder	●	●	●	
Interior	Leatherette seats	●		
	Leather accented seats		●	●
	Driver Seat: 6-Way Electric Adjustment	●		
	Driver Seat: 8-Way Electric Adjustment+ Lumbar support + Memory + Welcome Function		●	●
	Front Passenger Seat: 4-Way Electric Adjustment	●		
	Front Passenger Seat: 6-Way Electric Adjustment		●	●
	Front Passenger Seat: Vip Switch Control		●	●
	Front Seats: Heating		●	
	Front + Rear Outer Seats: Heating			●
	Front Seats: Cooling + 8 Bladder Massage		●	●
	Rear Outer Seats: Cooling			●

Specifications

		Lux - Turbo Diesel	Ultra - Turbo Diesel	Ultra - Hybrid
Interior Continued	Rear Outer Seats: Manual 2-way Adjustment	●	●	
	Rear Outer Seats: Electric 2-way adjustment with welcome function			●
	Rear seat back: 40:20:40	●	●	●
	Rear center armrest with cup holder	●	●	●
Safety	7 Air Bags: Dual SRS Airbags + Dual Front Side Airbags + Dual Curtain Airbags + Centre Airbag	●	●	●
	Front Seat Belt: Pre-tensioners With Load Limiters + CLT	●	●	●
	Rear Seatbelt Pre-tensioners With Load Limiters (outer seats)	●	●	●
	ISOFIX x2	●	●	●
	Child Presence Detection	●	●	●
	Brake Override System (BOS)	●	●	●
	Remote Central Lock & Automatic Locking Function	●	●	●
	Collision Automatic Unlock Function & Fuel Cut Function	●	●	●
	MANUAL Rear door child lock	●	●	●
	Intelligent Technologies	ACC + ICA + TJA + INTELLIGENT TURNING	●	●
Intelligent corner Switch		●	●	●
HAC		●	●	●
HDC		●	●	●
Brake Assist System (BAS)		●	●	●
ABS + EBD + TCS + RMI + ESC		●	●	●
Dynamic Steering Torque		●	●	●
PDC + RCTA + RCTB		●	●	●
LDW + LKA + LCK + ELK + IE		●	●	●
LANE CHANGE ASSIST (LCA)		●	●	●
FCW + AEB + AEB-Pedestrian + AEB-Cyclist		●	●	●
FCTA + FCTB		●	●	●
AEB JUNCTION ASSIST		●	●	●
Door Open Warning (DOW)		●	●	●
Emergency Brake Signal System (ESS)		●	●	●
TSR + ISA		●	●	●
Rear Collision Warning (RCW)		●	●	●
Driver Fatigue Monitor System (DFMS)		●	●	●
Push button start		●	●	●
Bluetooth		●	●	●
Auto parking assist				●
Auto reversing assist 360° View Monitor				●
Clear chassis view	●	●	●	

		Lux - Turbo Diesel	Ultra - Turbo Diesel	Ultra - Hybrid
Intelligent Technologies Continued	Front Parking Sensors	4	4	6
	Rear Parking Sensors	4	4	6
	Keyless Entry (Front)	●	●	●
	Head Up Display (HUD)			●
Air Conditioning	Dual zone climate control	●	●	●
	Rear A/C Outlet-Top/Under	●	●	●
	Outside Temperature Display	●	●	●
Multimedia	Front & rear row USB outlet	●	●	●
	6 Speakers	●	●	
	10 Speakers - Infinity			●
	Independent Amplifier - Infinity			●
	Speed Sensing Volume	●	●	●
	Built in dash cam USB port	●	●	●
	Wireless Charging - Front		●	
	Wireless Charging (Front + Back)			●
	Electronic Clock			●
	Connected car	●	●	●
	Voice Recognition	●	●	●
	12.3" digital cluster + brightness adjust	●	●	●
	12.3" Color Multitouch Screen	●		
	14.6" Color Multitouch Screen		●	●
	Wireless Apple CarPlay [®] & Android Auto [™]	●	●	●

- Weights/mass/volumes/dimensions are approximate and subject to individual vehicle variances, and should be confirmed before fitting any accessories, towing or otherwise relying on this value
- Results achieved in ADR81/02 fuel consumption testing. Results produced in laboratory test conditions, using sample vehicles without fitment of accessories/customisation, and do not reflect real world driving. Figures should only be used for comparative purposes.
- Towing capacity subject to regulatory requirements, tow bar and vehicle design and towing equipment limitations.
- Android Auto[™] is a trademark of Google LLC. Requires compatible device, USB connection, mobile data, network reception and GPS signal. Mobile usage at user's cost. Functionality subject to change.
- CarPlay[®] is a trademark of Apple Inc in the U.S. and other countries. Requires compatible device, USB connection, mobile data, network reception and GPS signal. Mobile usage at user's cost. Functionality subject to change.



Specifications



For more information visit [gwmanz.com/au](https://www.gwmanz.com/au)

GWM Australia reserves the right to alter vehicle specifications and equipment levels without notice. Some equipment featured on vehicles in this brochure may not be available or may be optional. To the extent permitted by law, GWM Australia shall not be liable to any person as a result of reliance on the content of the brochure. Always check with your local GWM Dealer for the latest product specifications.

Information in this brochure is current as at 20/05/2024.

Edition Code: GWMAU 20-05-2024

Copyright © GWMAU. All rights reserved.