

 SUZUKI

BALENO





THE FULLY OVERLOADED BALENO

The Baleno makes an impression. Versatile and stylish, the dependable hatchback is well-equipped to handle the multitude of exciting moments you live every day. But more than just spacious and loaded with features, the car comes with a stunning design that makes you the centre of attention, at every turn and corner.

With the Baleno, there's so much to experience.

Hop in and live it all.



STYLE FOR EVERYONE

The bold design of the Baleno catches everyone's eye. The stylish hatchback is inspired by the design concept of Liquid Flow. Its low and wide stance along with the harmoniously flowing curves on its body give the Baleno an elegant, powerful look. Its front design and aerodynamic form give it a sporty style and grace that alludes most hatchbacks, but makes the Baleno appealing to all.



CAPTIVATING FROM WITHIN

The Baleno isn't just about outer beauty. Entering the car, you'll notice that its elegant and urban styling extends to the interior as well. Its cabin is lined with high-quality silver accents which add highlights of sophistication.



ADVANCED MULTI-INFORMATION DISPLAY

At the centre of the instrument cluster lies the information display, which keeps you informed about your driving status. Equipped with a 4.2-inch colour LCD screen (GLX), it allows you to keep track of fuel efficiency, engine output, average vehicle speed and other driving results whenever you want.



SMARTPHONE LINKAGE DISPLAY AUDIO

With the Smartphone Linkage Display Audio you can enjoy intuitive operation of multimedia features including audio, hands-free phone and smartphone integration. The Smartphone Linkage Display Audio works with Apple CarPlay, Android Auto™ and MirrorLink™ which allows the use of various smartphone applications.*



AIR CONDITIONER

The air conditioner control panel allows easy operation. High-contrast LCD on the automatic air conditioner (GLX) makes operation intuitive. The manual air conditioner has simple controls for operational convenience.



CRUISE CONTROL

Enjoy the convenience of cruise control system by keeping the car moving at a set-speed, reducing driver effort during long-distance drives.



GLX model shown.

COMFORT IN EVERY MOMENT AND EVERY DRIVE

Whether it's a long drive or a quick spin in the city, the Baleno boasts unmatched comfort. The fine-textured fabrics and elaborate patterns of the seating invite relaxation within the cabin, while the navy seats add a touch of vibrance. The car also has ample leg and shoulder room, ensuring the most comfortable experience possible for the driver and passengers, while the multiple compartments offer proper storage availability and practicality. Its 355L* luggage space allows sideways stowage of long items and, by folding down the rear seats, it affords even greater space to accommodate all your items. As an added amenity, a luggage shelf offers additional privacy.

*Luggage space measured using the German Association of the Automotive Industry (VDA) method.



Ticket holder



Glove box



Front accessory socket and USB port



Console box with armrest (GLX)



Front door pocket with bottle holder



Driver's side pocket



Passenger seatback pocket



Rear accessory socket



Tray with removable partition



Rear door pocket with bottle holder



POWERED TO MAKE EVERY DRIVE EXCITING

The Baleno is an exceptional performer and it's not surprising why. Every part of the car is engineered for maximum efficiency and comfort. That's why each and every drive is always an extraordinary experience.



1.4L ENGINE

Under the hood of the Baleno lies its source of energy for high performance—a 1.4L engine. Designed to deliver maximum energy efficiency, the engine delivers strong power, while ensuring fuel efficiency. The intake VVT, cylinder head and piston crowns are designed to boost fuel economy, which is enhanced by a great aerodynamic body.



Manual transmission



Automatic transmission

TRANSMISSION

No matter which transmission you prefer, the Baleno ensures a relaxing and efficient drive. The 4-speed automatic transmission delivers powerful acceleration at low speeds and fuel efficiency at high speeds. The 5-speed manual transmission (GL) provides smooth and precise shift feel, for a more enjoyable and nimble drive.

HEARTECT



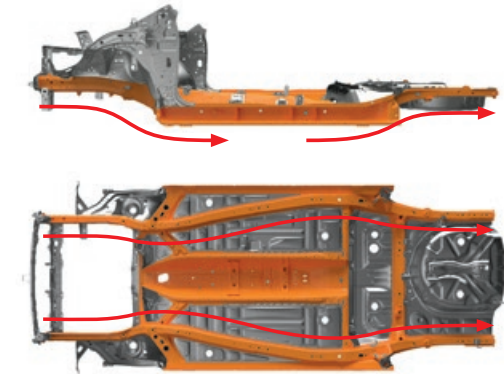
LIGHT AND RIGID "HEARTECT" PLATFORM

The Baleno enhances your driving experience, thanks to its next-generation platform—HEARTECT. Light and highly rigid, it lowers fuel consumption and vastly improves the fundamental vehicle performance in terms of running, turning and stopping. Its frame is characterised by smooth and continuous curves, which efficiently disperses impact energy in case of a collision.



SUSPENSIONS

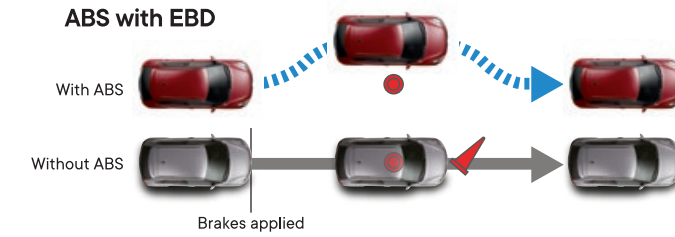
The Baleno takes on every road with equal ease. The highly tuned suspensions ensure solid cornering and responsive handling, while assuring a relaxing, smooth drive.





ENHANCED SAFETY FOR A PLEASANT DRIVE

Drive from one exciting moment to another, knowing that you are well protected. The Baleno is equipped with advanced safety features such as occupant-protective airbags and anti-lock braking systems to enhance your daily peace-of-mind.



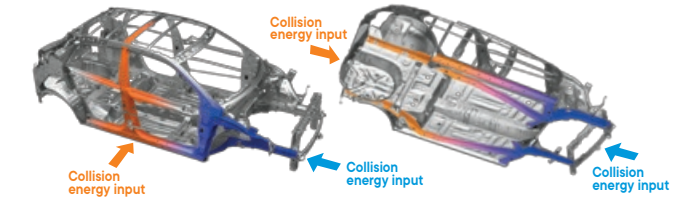
ANTI-LOCK BRAKE SYSTEM (ABS) AND BRAKE FORCE DISTRIBUTION

In an emergency braking or on slippery surfaces, the anti-lock brake system (ABS) keeps tyres from locking, and enhances the driver's ability to avoid obstacles through steering. Furthermore, the electronic brake-force distribution (EBD) optimally distributes front and rear braking force to help stably stop the vehicle.



OCCUPANT-PROTECTIVE SRS AIRBAG SYSTEM

To protect not only the driver but also the front-seat passenger, both the driver's seat and front passenger's seat come standard with SRS airbags. Furthermore, curtain and side airbags help reduce further impact for enhanced safety.



LIGHT, IMPACT-ABSORBING TOTAL EFFECTIVE CONTROL TECHNOLOGY (TECT) BODY

Suzuki's TECT body helps protect the cabin in the event of a collision by efficiently absorbing and dispersing energy. It also widely employs high tensile steel to achieve both lightness and excellent safety performance.



PEDESTRIAN PROTECTION

To mitigate pedestrian injuries in the event of a collision, the Baleno's bonnet, cowl top, wipers and front bumper are designed to absorb impacts.

BALENO^{GL}



- 1.4L petrol engine
- 5.1L/100km fuel economy manual*
- 5.4L/100km fuel economy automatic*
- 5-speed manual or 4-speed automatic
- Multimedia satellite navigation system with reversing camera, Apple CarPlay® and Android Auto™
- Bluetooth® connectivity & iPod® USB connectivity with steering wheel audio controls
- Cruise control
- 355 litres boot space
- Six airbags
- ESC, ABS, EBD, & BA
- Daytime running lights
- Front fog fights
- Privacy glass

BALENO^{GLX}



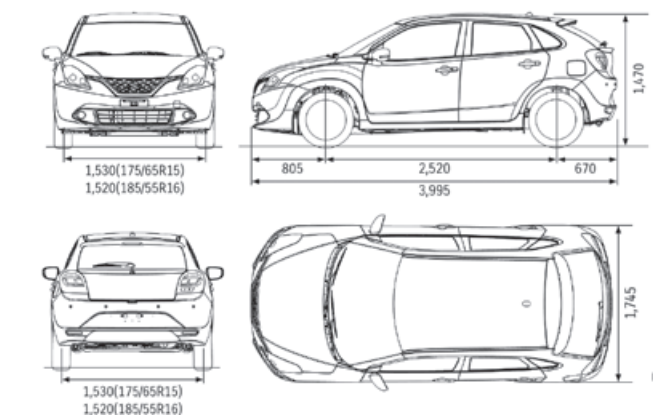
- In addition to Baleno GL key features:**
- 4-speed automatic
 - Digital climate control
 - Keyless start system
 - Advanced multi-info display
 - 16" alloy wheels
 - LED headlights
 - Chrome door handles

SPECIFICATIONS

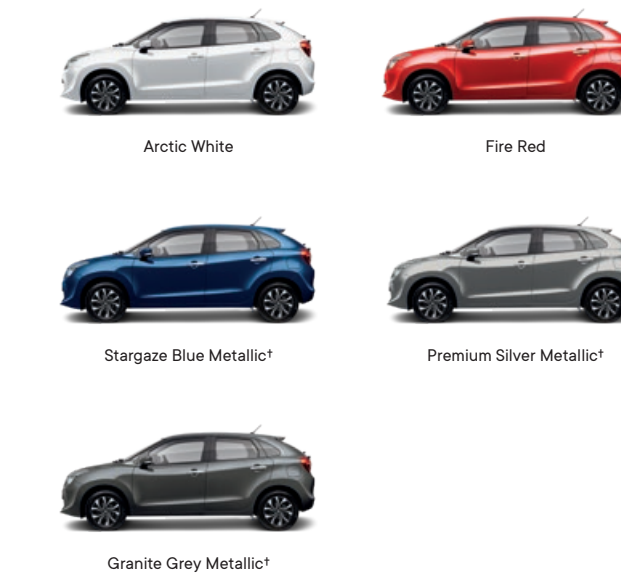
BALENO	GL	GLX
POWERTRAIN		
Engine	1.4L Petrol	
Number of cylinders	4	
Number of valves	16	
Piston displacement (cm ³)	1,373	
Bore x stroke (mm)	73.0 x 82.0	
Compression ratio	11.0	
Maximum output (kW/rpm)	68/6,000	
Maximum torque (NM/rpm)	130/4,000	
Fuel distribution	Multipoint injection	
DIMENSIONS		
Overall length (mm)	3,995	
Overall width (mm)	1,745	
Overall height (mm)	1,470	
Wheelbase (mm)	2,520	
Tread-front (mm)	1,530	1,520
Tread-rear (mm)	1,530	1,520
Minimum turning radius (m)	4.9	
Minimum ground clearance (mm)	120	
Seating capacity	5	
Fuel tank capacity (L)	37	
Luggage capacity (L) Max. volume	1,085	
Rear seatback folded (L)	756	
Rear seatback raised (L)	355	
Kerb weight (kg) MT/AT	895 (Manual) / 915 (Auto)	
Gross vehicle weight (kg)	1405	
TRANSMISSION		
Type	5MT	4AT
1st gear ratio	3.545	2.875
2nd gear ratio	1.904	1.568
3rd gear ratio	1.240	1.000
4th gear ratio	0.906	0.697
5th gear ratio	0.696	—
6th gear ratio	—	—
Reverse gear ratio	3.272	2.300
Final gear ratio	4.294	4.375
FUEL CONSUMPTION		
Fuel consumption (L/100km) MT/AT*	5.1	5.4
CO ₂ emissions (G/km) MT/AT	118	126

BALENO	GL	GLX
CHASSIS		
Steering	Rack & Pinion	
Brakes	Front	Disc
	Rear	Drum Disc
Suspension	Front	MacPherson strut with coil spring
	Rear	Torsion beam with coil spring
WHEELS		
Tyres (Width/Profile)	175/65	185/55
Wheel Size	15"	16"
Wheel Type	Steel	Alloy
Spare	Space Saver	
EXTERIOR		
Front grille - Black with Chrome Accent	std	std
Black-coloured A and B pillars	std	std
VISIBILITY		
Headlamps	Halogen	LED projector
Headlamp levelling device	Manual	Auto
Automatic headlamps	std	std
Fog lamps - Front	std	std
Rear combination lamps	std	std (high)
Privacy glass	std	std
Wipers		
Front: 2 speeds (low, high) + adjustable intermittent + washer	std	std
Rear: 1 speed + intermittent + washer	std	std
Outside door mirrors		
Body coloured	std	std
Electrically adjustable	std	std
With built-in turn signal lamp	—	std
STEERING AND INSTRUMENT PANEL		
3-spoke steering wheel		
Leather covered	std	std
With audio controls	std	std
With cruise control	std	std
With speed limiter control	std	std
With hands-free phone control	std	std
Tilt adjustable	std	std
Telescopic adjustable	—	std

DIMENSIONS



COLOURS



*NEDC Fuel Consumption figures may not mimic real-life driving conditions and should be considered for comparison against other vehicles only.

†Additional premium/metallic paint charge. All care is taken to ensure the accuracy of this brochure at the time of publication approval. Specifications, features, prices and model availability may vary from state to state and may change without notice. Always consult your authorised Suzuki Dealer or refer to suzuki.com.au for the latest details on all models. SUZUKI will not be held liable for any loss as a result of reliance on the content of this brochure, whether in negligence or otherwise. Vehicles are shown for illustrative purposes only and may not depict exact Australian specifications.



Way of Life!



FOR FUN'S SAKE

All care is taken to ensure the accuracy of this brochure at the time of publication approval. Specifications, features, prices and model availability may vary from state to state and may change without notice. Always consult your authorised Suzuki Dealer or refer to suzuki.com.au for the latest details on all models. SUZUKI will not be held liable for any loss as a result of reliance on the content of this brochure, whether in negligence or otherwise. Vehicles are shown for illustrative purposes only and may not depict exact Australian specifications. *Kilometre limits for commercial vehicles. *Further terms apply, visit suzuki.com.au Published April 2020.

5 YEAR
UNLIMITED KM WARRANTY*
CAPPED PRICE SERVICE