



Made for more



GWM Ute

GO WITH MORE

GWM Ute. Made for more.

Contents	Page 1
Introduction	Page 2
Design	Page 6
Performance	Page 10
Technology	Page 16
Safety	Page 18
Colour	Page 26
Dimensions	Page 28
Specifications	Page 30



Say hello to GWM.

GWM is a world-renowned vehicle manufacturer capable of designing and producing SUVs, utes and powertrains simultaneously. At GWM, everything we do is grounded in our corporate philosophy: ‘improving little by little every day.’ From building world-class research and development systems, which enable continuous innovation, to following the ‘excessive investment’ principle, which drives industry leadership, we relentlessly put our philosophy into practice. With nearly 8 million sales to date, in more than 170 countries (and counting), we are the No. 1 SUV brand in the world’s largest market and have been for the past 9 years. Our brand vision is to pioneer global mobility solutions, which use innovative technology to deliver a more pleasurable driving experience. Through innovation and global collaboration, we continue to improve our vehicles’ reliability, safety, performance, design and technology.

Tough never looked so good.

The GWM Ute doesn't just look confident.
It also has the strength and capability to match.





Don't be fooled by its rugged exterior, the GWM Ute is as comfortable as they come. Experience a smooth ride, even over rough terrain, thanks to the independent front suspension combined with heavy duty rear leaf suspension for outstanding load-carrying.

Discover the thrill of driving in the refined, European designed cabin, with best-in-class legroom and all the features you need. Depending on the model, the driver and passengers can also feel the benefit of heated power-adjustable seats*, a clever 360 degree camera* and a huge 7 inch colour instrument cluster^.



Rugged on the outside. Luxurious inside.

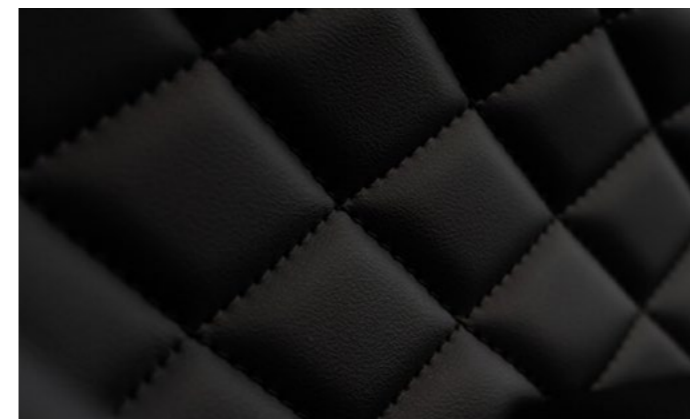
*Cannon-L, Cannon-L CC, Cannon-X, Cannon Vanta & Cannon-XSR variants only
^Cannon-X/Cannon Vanta/Cannon-XSR only



Integrated tailgate step ladder⁺



*Signature chrome grille**



Quilted faux leather accented interior[^]

*Cannon-L, Cannon-L CC, Cannon-X variants only
[^]Cannon-L, Cannon-X, Cannon Vanta, Cannon-XSR variants only
⁺Cannon-X, Cannon Vanta, Cannon-XSR only

Powered by performance.



Powered by a responsive 2.0 litre turbo diesel engine delivering 120kW and 400Nm, the GWM Ute is a capable partner for just about anything.

When mated to the ZF 8-speed automatic transmission, the driving experience is nothing short of impressive whether carrying a light load or towing the boat or caravan.

The advanced 4x4 system engineered by respected global supplier Borg Warner provides the driver with superior technology including a rear differential lock* and 4WD low range to tackle tough off-road environments with ease.

*4x4 variants only

Powered by a responsive 2.0 litre turbo diesel engine delivering 120kW and 400Nm.





All the tech you need.

Staying connected has never been easier with Apple CarPlay® and Android Auto™ standard across the GWM Ute range and displayed on a crystal clear 9 inch colour touchscreen for infotainment on demand.

There's also the added benefit of Wireless Charging*, a dedicated Dash Cam USB Port, Keyless Entry and Push button Start. The GWM Ute truly is one of the most advanced and convenient utes available today.

*Cannon-X, Cannon Vanta & Cannon-XSR variants only



Born tough. Built smart.



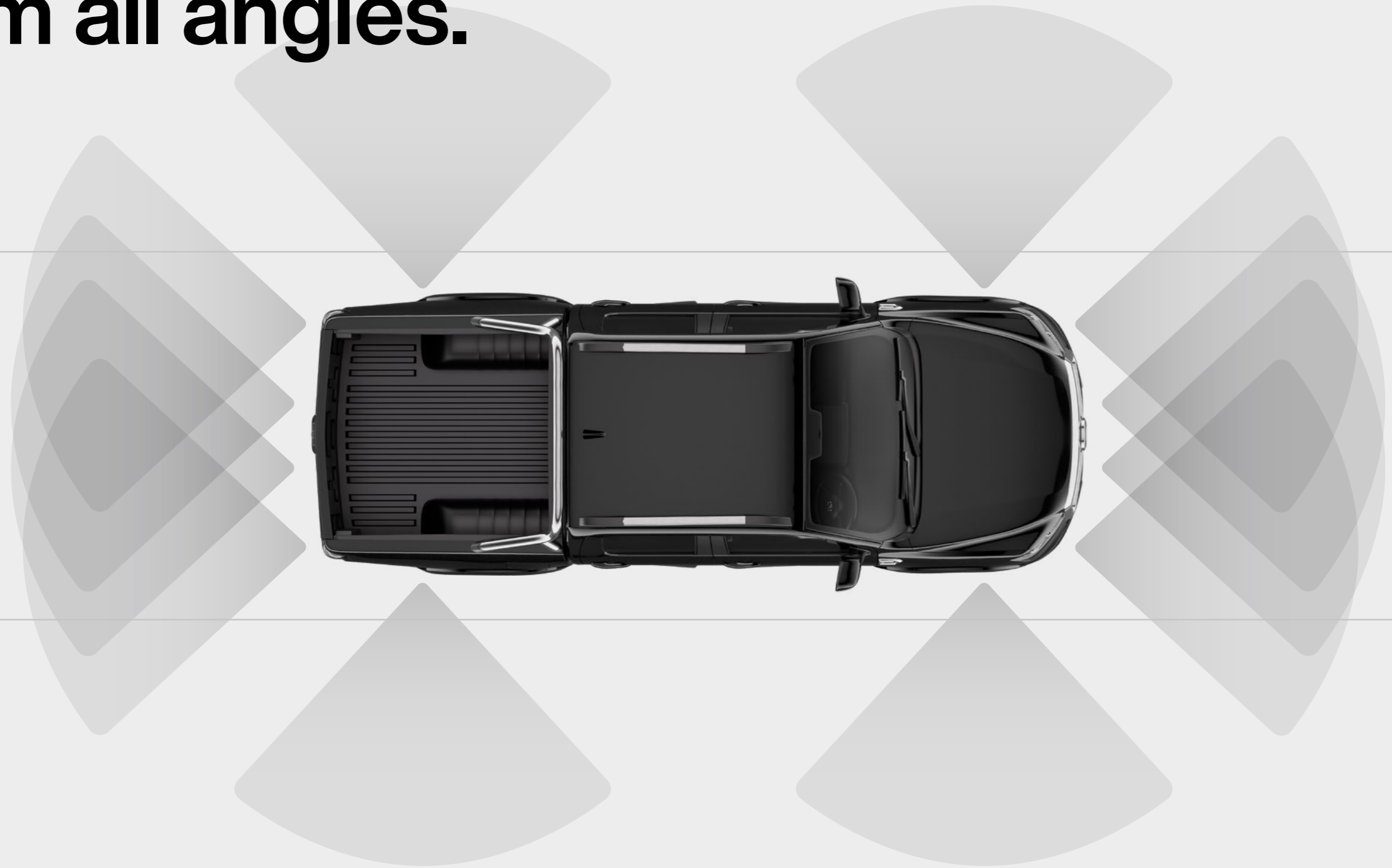
ANCAP Safety test

The GWM Ute was born to tackle the toughest jobs but it was also built smart with a full suite of comprehensive safety systems designed to protect occupants and other road users.

Having achieved the highest possible 5 star safety rating by ANCAP in 2021*, the GWM Ute comes with a number of advanced safety features including Autonomous Emergency Braking (AEB), Lane Keep Assist and Adaptive Cruise Control. Whether at work or play, you can be sure that GWM is looking out for you.

*Cannon CC, Cannon-L CC and Cannon-XSR variants not ANCAP rated

Protection from all angles.



Smart tech, active and passive safety features and front and side monitoring mean worry-free travel.

The Cannon-XSR is made for roads less travelled.

Built, bred and designed like no other, the XSR is a true 4x4 that completely changes the off-road game for good. With a rugged exterior including full underbody protection, snorkel, as well as front and rear steel bumpers, it'll go anywhere you point it. Plus, with a powerful turbo diesel engine, smart off-road tech, and an impressive collection of active and passive safety features, it will get you home comfortably from wherever it was you were.



The Cannon CC is the ultimate workhorse utility.



The sturdy Cab Chassis body styling of the Cannon CC features a highly durable and incredibly versatile aluminium tray with a towing capacity of 3000kg and a payload of more than one tonne. Plus, with 18" alloy wheels, a ZF 8-speed automatic transmission, Apple CarPlay®, Android Auto™, and heated comfort-tek faux leather front seats*, this is one vehicle all ute-lovers will want to get their hands on.

*Available on the Cannon-L CC

GWM Care

GWM Care Every GWM comes with GWM Care. It begins from the moment you take delivery of your vehicle and continues long into the future. Wherever the road leads, you can rest assured knowing that your GWM will be kept at its best for many years to come.

7 Year
Unlimited KM
Warranty

5 Year
Roadside
Assist

5 Year
Capped Price
Servicing



GWM vehicles are available in a range of stunning contemporary colours.



Standard Colour



Pearl White

Premium Colour (+\$595)

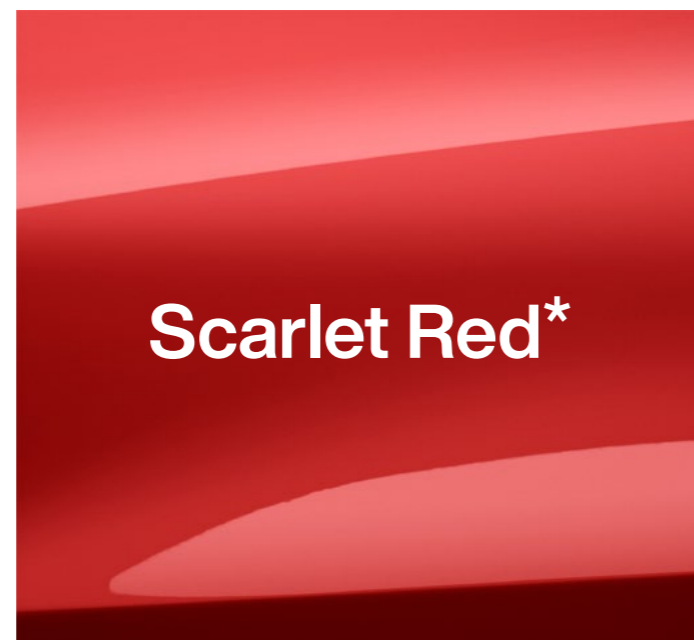


Crystal Black*

Premium Colour (+\$595)



Slate Grey^



Scarlet Red*

Premium Colour (+\$595)



Sapphire Blue*

Premium Colour (+\$595)



Pittsburgh Silver

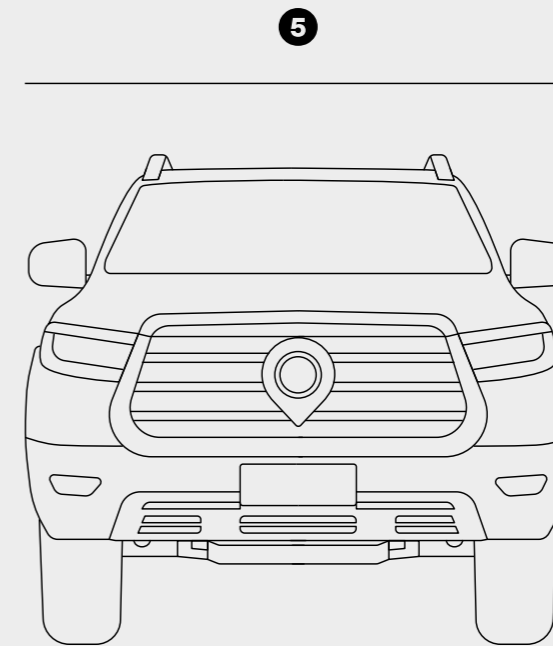
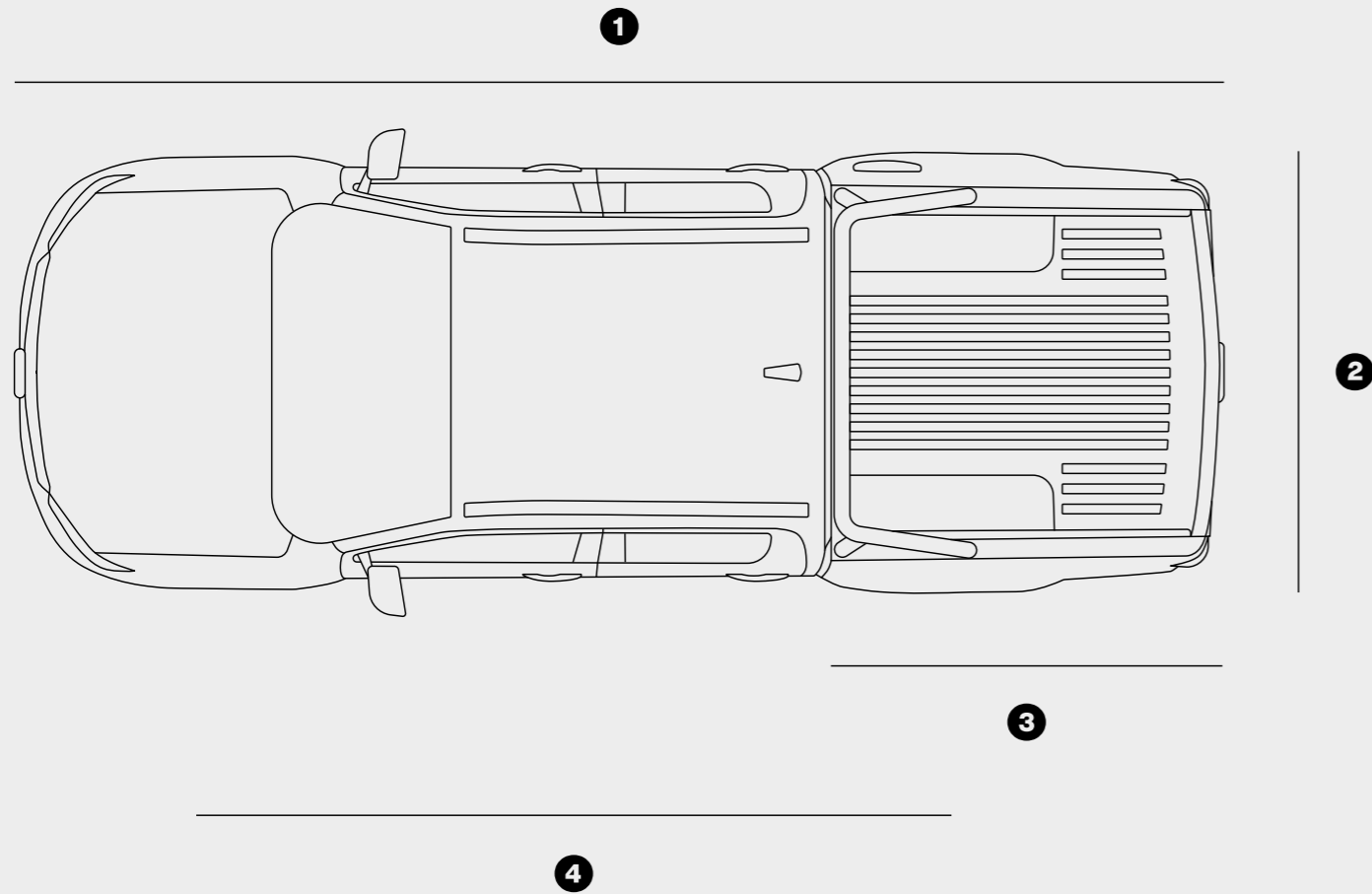
Premium Colour (+\$595)

Colour.

^Available on Cannon CC & Cannon-L CC only

*Available on Cannon, Cannon-L, Cannon-X, Cannon Vanta and Cannon-XSR only

- ① Length: 5410mm
- ② Height: 1886mm
- ③ Wheelbase: 3230mm
- ④ Tray: 1520x1520mm
- ⑤ Width: 1934mm



Dimensions.

*Canon-X dimensions shown

		Cannon 4X2	Cannon	Cannon CC	Cannon-L	Cannon-L CC	Cannon-X	Cannon Vanta	Cannon-XSR
Dimensions	Length/Width/Height (mm)	5410 x 1934 x 1886	5410 x 1934 x 1886	5511 x 1934 x 1886	5410 x 1934 x 1886	5511 x 1934 x 1886	5410 x 1934 x 1886	5410 x 1934 x 1886	5439 x 1958 x 1918
	Wheelbase (mm)	3230	3230	3230	3230	3230	3230	3230	3230
Engine	2.0L Turbo Diesel	●	●	●	●	●	●	●	●
	Displacement (cm ³)	1996	1996	1996	1996	1996	1996	1996	1996
	Max power (kW@rpm)	120 @ 3600	120 @ 3600	120 @ 3600	120 @ 3600	120 @ 3600	120 @ 3600	120 @ 3600	120 @ 3600
	Max torque (Nm@rpm)	400 @ 1500 - 2500	400 @ 1500 - 2500	400 @ 1500 - 2500	400 @ 1500 - 2500	400 @ 1500 - 2500	400 @ 1500 - 2500	400 @ 1500 - 2500	400 @ 1500 - 2500
	Bore x stroke (mm)	83.1 x 92	83.1 x 92	83.1 x 92	83.1 x 92	83.1 x 92	83.1 x 92	83.1 x 92	83.1 x 92
	Compression ratio	16.2:1	16.2:1	16.2:1	16.2:1	16.2:1	16.2:1	16.2:1	16.2:1
	Fuel economy (L/100km) combined ²	8.4	9.4	9.4	9.4	9.4	9.4	9.4	9.4
Recommended fuel octane rating	Diesel	Diesel	Diesel	Diesel	Diesel	Diesel	Diesel	Diesel	
Transmission	ZF 8-Speed Automatic	●	●	●	●	●	●	●	●
	Driveline	4X2	4X4	4X4	4X4	4X4	4X4	4X4	Part Time 4X4
	Gear ratios	1st 5.000:1, 2nd 3.200:1, 3rd 2.143:1, 4th 1.720:1, 5th 1.314:1, 6th 1.000:1, 7th 0.822:1, 8th 0.640:1, Reverse 3.456:1	1st 5.000:1, 2nd 3.200:1, 3rd 2.143:1, 4th 1.720:1, 5th 1.314:1, 6th 1.000:1, 7th 0.822:1, 8th 0.640:1, Reverse 3.456:1	1st 5.000:1, 2nd 3.200:1, 3rd 2.143:1, 4th 1.720:1, 5th 1.314:1, 6th 1.000:1, 7th 0.822:1, 8th 0.640:1, Reverse 3.456:1	1st 5.000:1, 2nd 3.200:1, 3rd 2.143:1, 4th 1.720:1, 5th 1.314:1, 6th 1.000:1, 7th 0.822:1, 8th 0.640:1, Reverse 3.456:1	1st 5.000:1, 2nd 3.200:1, 3rd 2.143:1, 4th 1.720:1, 5th 1.314:1, 6th 1.000:1, 7th 0.822:1, 8th 0.640:1, Reverse 3.456:1	1st 5.000:1, 2nd 3.200:1, 3rd 2.143:1, 4th 1.720:1, 5th 1.314:1, 6th 1.000:1, 7th 0.822:1, 8th 0.640:1, Reverse 3.456:1	1st 5.000:1, 2nd 3.200:1, 3rd 2.143:1, 4th 1.720:1, 5th 1.314:1, 6th 1.000:1, 7th 0.822:1, 8th 0.640:1, Reverse 3.456:1	1st 5.000:1, 2nd 3.200:1, 3rd 2.143:1, 4th 1.720:1, 5th 1.314:1, 6th 1.000:1, 7th 0.822:1, 8th 0.640:1, Reverse 3.456:1
Wheels	Size	18" Premium Alloy Wheel	18" Premium Alloy Wheel	18" Premium Alloy Wheel	18" Luxury Alloy Wheel	18" Luxury Alloy Wheel	18" Luxury Alloy Wheel	18" Black Alloy Wheel	18" Black Alloy Wheel
	Spare wheel	Spare Tyre 265/60 R18	Spare Tyre 265/60 R18	Spare Tyre 265/60 R18	Spare Tyre 265/60 R18	Spare Tyre 265/60 R18	Spare Tyre 265/60 R18	Spare Tyre 265/60 R18	Spare Tyre 265/65 R18
Brakes	Front and rear	Front: Ventilated disc brake / Rear: Ventioned disc brake							
	Electronic park brake	●	●	●	●	●	●	●	●
Steering	Steering type and system	Electric / Rack & Pinion							
	Turning circle - kerb to kerb (m)	13.1	13.1	13.1	13.1	13.1	13.1	13.1	13.7
Suspension	Suspension	Front: Double Wishbone / Rear: Leaf Spring							
Weights & capacities	Towing capacity - with trailer brakes (kg)	3,000	3,000	3,000	3,000	3,000	3,000	3,000	3,000
	Towing capacity - without trailer brakes (kg)	750	750	750	750	750	750	750	750
	Maximum downball weight (kg)	300	300	300	300	300	300	300	300
	Maximum payload (kg)	1,050	1,050	1,120	1,050	1,120	1,050	1,050	875
	Kerb weight (kg)	1,935	2,100	2,030	2,100	2,030	2,100	2,100	2,220
	GVM (kg)	2,985	3,150	3,150	3,150	3,150	3,150	3,150	3,095
	GCM (kg)	5,530	5,555	5,555	5,555	5,555	5,555	5,555	5,490
	Seating capacity	5	5	5	5	5	5	5	5
Fuel tank capacity (L)	78	78	78	78	78	78	78	78	
Chassis & steering	Electric Power Assist Steering	●	●	●	●	●	●	●	●
	Power Assist Steering Modes (Comfort, Normal, Sport)						●	●	●
	Driving Modes (Standard, Economy, Sport, 4L)	●	●	●	●	●	●	●	
	Driving Modes (2H, 4H, 4L, Snow, Mud, Sand) + All Terrain Feedback System								●
	Crawl Mode								●
	Turning Assist (TAB)								●
	Full Underbody Chassis Guard								●
	Passive Front Stabiliser								●
Hydraulic engine mount	●	●	●	●	●	●	●	●	
Exterior	Front Grill-Grey Inner	●	●	●		●			
	Chrome Plating Front Grill				●	●	●		
	Black Front Grill							●	●
	Front Bumper (Body Colour)	●	●	●	●	●	●	●	
	Front Bumper (Steel)								●

Specifications.

		Cannon 4X2	Cannon	Cannon CC	Cannon-L	Cannon-L CC	Cannon-X	Cannon Vanta	Cannon-XSR
Exterior Continued	Rear Bumper (Body Colour)	●	●		●		●	●	
	Rear Bumper (Steel)								●
	Body Colour Exterior Door Mirror	●	●	●					●
	Body Colour Door Handle	●	●	●					●
	Electroplated Exterior Door Mirror				●	●	●		
	Electroplated Door Handle				●	●	●		
	Black Exterior Door Mirror							●	●
	Fender Arch (Body Colour)	●	●	●	●	●	●	●	
	Fender Arch (XSR Exclusive)								●
	Black Door Handles							●	
	Side Steps	●	●	●	●	●	●	●	●
	Sports Bar (Stainless Steel)				●		●		
	Sports Bar (Black)							●	●
	Shark Fin Antenna	●	●	●	●	●	●	●	●
	Rear Recovery Point	●	●	●	●	●	●	●	●
	Easy up & down tail gate				●		●	●	●
	Cargo Ladder				●		●	●	●
	Snorkel								●
	Special Anti-Rust Protection	●	●	●	●	●	●	●	●
	Engine Cover	●	●	●	●	●	●	●	●
Interior	Black Interior - Standard	●	●	●	●	●			
	Black Interior - Luxury						●	●	●
	Sunroof								●
	Polyester Steering Wheel	●	●	●	●	●			
	Microfibre Faux Leather Steering Wheel				●	●	●	●	●
	2-way Adjustable Steering Column (up & down)	●	●	●	●	●			
	4-way Adjustable Steering Column						●	●	●
	Paddle Shifter	●	●	●	●	●	●	●	●
	Electronic Gear Shift	●	●	●	●	●	●	●	●
	3.5 Inch Colour Instrument Cluster +Light Adjustable	●	●	●	●	●			
	7 inch Colour Instrument Cluster						●	●	●
	USB Port for Dash Cam	●	●	●	●	●	●	●	●
	12V Power Outlet	●	●	●	●	●	●	●	●
	Front USB Port (2) + Rear USB charging Port (1)	●	●	●	●	●	●	●	●
	Wireless Charging						●	●	●
	Sunglass holder	●	●	●	●	●	●	●	●
	Seats	Comfort-Tek Accented Faux Leather	●	●	●	●	●		
Faux Leather Accented Seat							●	●	●
Heated Front Seats					●	●	●	●	●
6-way manual adjustable driver's seat		●	●	●					
6-way power adjustable driver's seat					●	●	●	●	●
4-way manual adjustable passenger seat		●	●	●	●	●			
4-way power adjustable passenger seat							●	●	●
Second row 60:40 split seats							●	●	●

		Cannon 4X2	Cannon	Cannon CC	Cannon-L	Cannon-L CC	Cannon-X	Cannon Vanta	Cannon-XSR
Seats Continued	Rear row armrest						●	●	●
	Middle headrest second row	●	●	●	●	●	●	●	●
Entertainment	Bluetooth Hands-free communication	●	●	●	●	●	●	●	●
	Radio AM/FM	●	●	●	●	●	●	●	●
	9" Touch LCD Screen	●	●	●	●	●	●	●	●
	Apple Carplay+ Android Auto	●	●	●	●	●	●	●	●
	4 Speakers	●	●	●					
	6 Speakers				●	●	●	●	●
Security	1 Smart Key + 1 ordinary key	●	●	●	●	●			
	2 Smart Keys						●	●	●
	Engine Immobilizer	●	●	●	●	●	●	●	●
	Remote Central Lock & Automatic Locking Function	●	●	●	●	●	●	●	●
Glass	Green Glass	●	●	●					
	Privacy Glass				●	●	●	●	●
	Front & Rear Electric Windows	●	●	●	●	●	●	●	●
	Driver Window + One Touch Up & Down + Anti-Pinch	●	●	●	●	●			
	Four Window + One Touch U & Down + Anti-Pinch						●	●	●
	Power Adjustable Door Mirrors + Manual Folding + Indicator	●	●	●					
	Power Adjustable Door Mirrors + Electric Folding + Indicator				●	●	●	●	●
	Anti-Glare Rearview Mirror - Manual	●	●	●					
	Anti-Glare Rearview Mirror - Automatic				●	●	●	●	●
	Hot Line Defroster- Rear Window	●	●	●	●	●	●	●	●
	Sun Visor With Mirror - Passenger Side	●	●	●	●	●	●	●	●
Safety	Keyless Entry + Push-Button Start	●	●	●	●	●	●	●	●
	Dynamic Steering Torque System (DST)	●	●	●	●	●	●	●	●
	Electronic Stability Program (ESP)	●	●	●	●	●	●	●	●
	Traction Control System (TCS)	●	●	●	●	●	●	●	●
	Collision Automatic Unlock Function & Fuel Cut Function	●	●	●	●	●	●	●	●
	Hill-Start Assist Control & Hill Descent Control	●	●	●	●	●	●	●	●
	Forward Collision Warning (FCW) + AEB (Pedestrian)	●	●	●	●	●	●	●	
	Forward Collision Warning (FCW) + AEB								●
	Rear Cross Traffic Alert (RCTA)	●	●		●		●	●	●
	Lane Departure Warning + Lane Keeping Assist	●	●	●	●	●	●	●	●
	Lane Change Assist	●	●		●		●	●	
	Door Open Warning				●		●	●	
	Adaptive Cruise Control	●	●	●	●	●	●	●	●
	Traffic Sign Recognition System + Overspeed Warning	●	●	●	●	●	●	●	●
	Tyre Pressure Monitoring System	●	●	●	●	●	●	●	●
	Front Sensor - 2				●	●	●	●	
	Rear Sensor - 2	●	●	●	●	●	●	●	●
	Reversing Camera	●	●	●					
	Curbside Camera (Passenger Side)	●	●	●					
	360 Around View Camera				●	●	●	●	●

		Cannon 4X2	Cannon	Cannon CC	Cannon-L	Cannon-L CC	Cannon-X	Cannon Vanta	Cannon-XSR
Safety Continued	Dual Front, Side, & Curtain Airbags	●	●	●	●	●	●	●	●
	Front Centre Airbag	●	●	●	●	●	●	●	●
	Seatbelt Unfasten Warning System - All seats	●	●	●	●	●	●	●	●
	Rear Seat Belt With Pre-Tensioner / Load Limiter + Three-Point Rear Central Seat Belt	●	●	●	●	●	●	●	●
	Children Seats ISOFIX Device + 2 Rear Anchor Points	●	●	●	●	●	●	●	●
	Rear Door Child Safety Lock	●	●	●	●	●	●	●	●
	Speed Sensing Central Door Lock (15 km/h)	●	●	●	●	●	●	●	●
	Rear Differential lock		●	●	●	●	●	●	
	Front and Rear Differential Lock								●
	Speed Warning (Warning Speed Manual Set)	●	●	●	●	●	●	●	●
	Triangular Warning Sign	●	●	●	●	●	●	●	●
Lighting	LED Headlights (High & Low Beam)	●	●	●	●	●	●	●	●
	Automatic Headlights	●	●	●	●	●	●	●	●
	Electric Height Adjustment Headlights	●	●	●	●	●	●	●	●
	LED indicator lamp-Waterflow style	●	●	●	●	●	●	●	●
	Headlight With Follow Me Home Function	●	●	●	●	●	●	●	●
	Front fog lamp with steering automatic lighting	●	●	●	●	●	●	●	
	Daytime Running Lights	●	●	●	●	●	●	●	●
	Rear Fog Lights	●	●	●	●	●	●	●	●
	LED Tail Light	●	●	●	●	●	●	●	●
	High Position Brake Lights-LED	●	●	●	●	●	●	●	●
Ceiling Light	●	●	●	●	●	●	●	●	
Air Conditioning	Manual A/C	●	●	●					
	Automatic A/C				●	●	●	●	●
	Rear A/C Vents	●	●	●	●	●	●	●	●
	A/C With Pollen Filter	●	●	●	●	●	●	●	●



For more information visit gwmanz.com/au

GWM Australia reserve the right to alter vehicle specifications and equipment levels without notice. Some equipment featured on vehicles in this brochure may not be available or may be optional. To the extent permitted by law, GWM Australia shall not be liable to any person as a result of reliance on the content of the brochure. Always check with your local GWM Dealer for the latest product specifications.

Information in this brochure is current as at 10/05/2023.

Edition Code: GWMA 10-05-2023.

Copyright © GWMA. All rights reserved.