



Power Harrows

HRB 122-152-182-202 / HRB 102-103 / HR 104-1004 /
HR 1020-1030-1040 / HR 1040 R





Contents

04 - 05	The HR range	19	HRB 122 - 152 - 182 - 202
08 - 09	HR 1040 R: 6, 7, and 8 m	20	Testimonials
10 - 11	Heavy-duty, resistant, reliable rotor	21 - 23	Equipment
12 - 14	HR 1020 - 1030 - 1040	24 - 25	A wide choice of rollers
16 - 18	HR 104 - HR 1004 - HRB 102 - HRB 103	26 - 31	Technical specifications

HR | HRB

Power harrows

PERFECTING SEEDBED PREPARATION

OPTIMUM SEEDBED PREPARATION IS ESSENTIAL FOR GETTING UNIFORM GERMINATION AND CROP DEVELOPMENT AS WELL AS VIGOUROUS YOUNG PLANTS. THE CRUMBLING, LEVELLING AND PACKING WORK OF HARROWS IS KEY TO MAXIMIZING THE PRODUCTIVITY OF YOUR CROP.



INVEST IN ROBUST MACHINES.

KUHN equipment is renowned for being robust, safe, reliable and long-lasting. If you look inside a machine you'll see the cleverly designed rotor-drive system and robust housing which guarantee a very long life and minimum maintenance.

HIGHER OUTPUT. Seedbed preparation tools have to be capable of high output while running smoothly with no interruptions, for as long as is required. KUHN brings you what you need with a wide choice of working widths in its folding ranges.

HIGH QUALITY SEEDBEDS.

The power harrow must be capable of adapting to the many factors that can influence working conditions. With the wide choice of blades, other equipment and gears, you can rest assured when you opt for a KUHN power harrow.

HR 1040 R **HR 1020 | 1030 | 1040**

HR 1040 R AND HR 1020-1030-1040 POWER HARROWS

HR 1040 R

Control the power! KUHN provides an efficient response to the concerns of large farms with the HR 1040 R series: large-width, folding power harrows that offer working widths from 6 to 8 m and are suitable for tractors up to 500 hp. The KTS 20 terminal continuously monitors the gearboxes to ensure smooth and uninterrupted high work output.



Technical specifications HR 1040 R / HR 1040 RCS

	POWER (HP)	460	480	500
WORKING WIDTHS (m)	4.00			
	4.50			
	5.00			
	6.00	HR 6040 R /RCS		
	7.00		HR 7040 R	
	8.00			HR 8040 R

HR 1020 | 1030 | 1040

A perfect seedbed in any conditions. Take advantage of the 3 to 4.5m working widths of the HR 1020-1030-1040 rigid power harrows. They are adapted to high-powered tractors up to 320 hp and you can use them solo or with a seed drill. You'll find a model and the right equipment to suit all your working requirements.



Technical specifications HR 1020 / 1030 / 1040

	POWER (HP)	190	250	300
WORKING WIDTHS (m)	1.20			
	1.50			
	1.90			
	2.10			
	2.50			
	3.00	HR 3020	HR 3030	HR 3040
	3.50	HR 3520	HR 3530	HR 3540
	4.00	HR 4020	HR 4030	HR 4040
	4.50		HR 4530	

POWER HARROWS HR 104 - 1004 AND HRB 103 HRB 103 DR

HR 104-1004 / HRB 102-103 / HRB 103 DR

A perfectly prepared seedbed. These ranges of power harrow come in working widths of 2.50 to 6 m. There are rigid and foldable versions that can be used solo or with a seed drill. Find out the secret to producing a great seedbed in any conditions.



Technical specifications HR 104 - 1004 / HRB 102 - 103 - Rigid and foldable range

WORKING WIDTHS (m)	POWER (HP)	160	190	250
	1.20			
	1.50			
	1.90			
	2.10			
	2.50			
	3.00	HRB 303 D	HR 304 D	HR 3004 D
	3.50	HRB 353 DN		HR 3504 D
	4.00	HRB 403 D	HR 404 D	HR 4004 D

WORKING WIDTHS (m)	POWER (HP)	180	250	350
	4.00	HRB 403 DR	HR 4004 DR	
	4.50	HRB 453 DR	HR 4504 DRC	
	5.00	HRB 503 DR	HR 5004 DRC	
	6.00			HR 6004 DRC

HRB 122 | 152 | 182 | 202

Specialist tool with specific size, shape and features. This range of power harrows offers working widths from 1.20 to 2.10 m with traction power of up to 80 hp. Their very compact design enables them to work in narrow row spacing. These harrows excel in creating high quality seedbeds in any conditions. They can be used for mechanical weeding in between rows, mixing plant matter into the soil and improving the structure of the soil.



Technical specifications HRB 102

	POWER (HP)	80	140
WORKING WIDTHS (m)	1.20	HRB 122	
	1.50	HRB 152	
	1.90	HRB 182	
	2.10	HRB 202	
	2.50		HRB 252 D
	3.00		HRB 302 D

6, 7 AND 8 M WIDTHS: MORE OUTPUT

THE PERFECT PARTNER FOR POWERFUL TRACTORS. HR 1040 R foldable power harrows are designed for intensive use with high-powered tractors. The HR 6040 R harrow can be coupled to tractors of up to 460 hp while the HR 7040 R and HR 8040 R models can be used with 480 and 500 hp tractors respectively.



Compatible with many different linkage systems

This range is compatible with cat. 3, 4 and 4N linkage systems (or Quick Hitch cat. 4). The primary PTO shaft is reinforced and there are 2 cam cut-out clutches. The central gearbox is offset to the rear to increase the length of the PTO shaft and reduce shaft angles: This is useful for tractors with large-diameter wheels. The central gearbox is equipped with an oil cooler and integrated pump. The synthetic oil used allows using the gearboxes to their full potential as it can work at higher temperatures than standard oils.

Two machine halves, one output quality

You have the possibility to work in rigid or floating position. In the latter configuration both halves can move up and down individually $\pm 2.5^\circ$ in order to better adapt to the soil. A long, height-adjustable side deflector creates the perfect finish. The two machine halves are positioned closely to each other so that unworked ridges between them are avoided. The standard front share in front of the gap and the levelling bars, joined in the centre, add to the impeccable finish.

KTS 20 monitoring unit as standard

The KTS 20 monitoring unit is fitted in the tractor cab and continuously monitors the temperature and speed of the machine's three gearboxes. If a torque limiter or overheating sensor is detected, the driver can react quickly to avoid a breakdown. This can save around 900€ per day: the equivalent of one day's downtime.

A PERFECTLY PREPARED SEEDBED

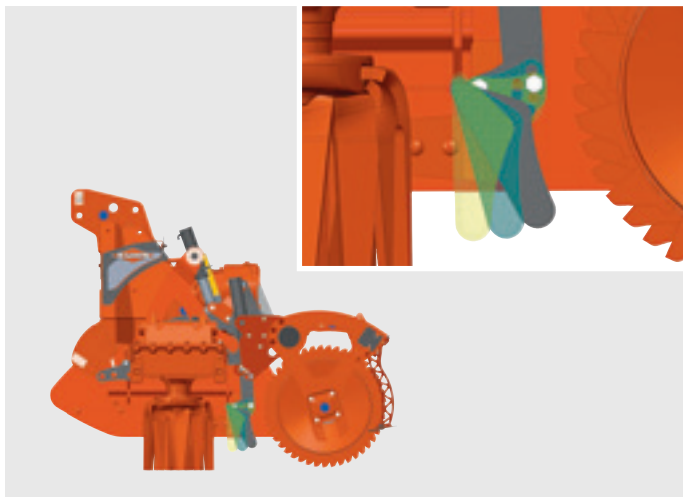
Good seedbed preparation is necessary in order to meet the major requirements for homogeneous germination and vigorous emergence of your crops: small clods on the surface and fine soil around the seed, deep tamping and precise levelling

ADAPTING TO CONDITIONS PERFECTLY

Soil conditions may vary greatly within one plot.

That's why simple and instant machine adjustments are necessary to achieving superior working quality.

Both working depth and levelling-bar position can be adjusted hydraulically from the cab using a master/slave system.



Levelling bar for a perfect finish

You can set the angle of the levelling bar to three different positions to fine-tune soil crumbling:

- close to the rotors for intensive crumbling in heavy soils,
- tilted backwards for light crumbling of the seedbed,
- intermediate position.

This adjustment feature also improves power consumption. In addition, the levelling bar is fitted to the roller frame so it does not need to be readjusted when you change working depth.

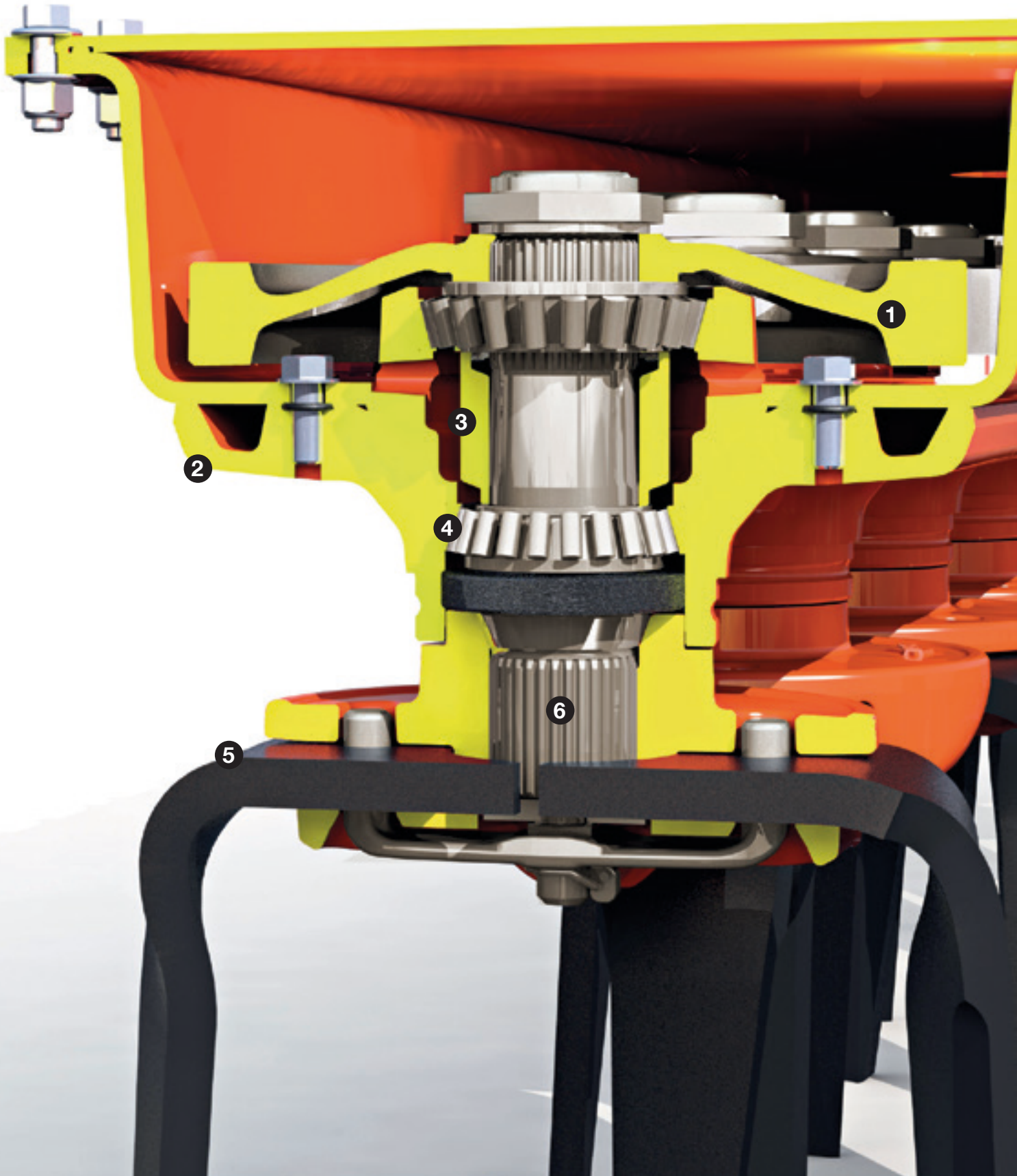
HR 6040 RCS and BTFR 6030: a modular concept

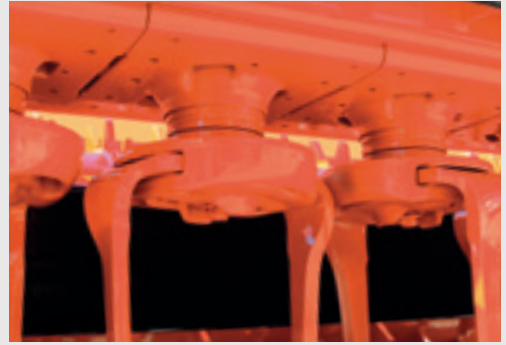
Designed to work with the BTFR 6030 seeding bar, the HR 6040 RCS harrow is suited to tractors of up to 460 hp. Working depth and levelling bar can be adjusted hydraulically from the cab. Being highly versatile, the harrow can be used solo for seedbed preparation. Like all HR 1040 R models, the HR 6040 RCS power harrow comes with a transport system incorporating two large-diameter wheels that can be removed easily, without tools.

HR 1040 | 1040 R **HR** 1020 | 1030 | 1040 | 1040 R

HEAVY-DUTY, RESISTANT, RELIABLE ROTOR... SOMETIMES COPIED BUT NEVER EQUALLED

HR 1040 and HR 1040 R power harrows are adapted to powerful tractors up to 500 hp. They are equipped with oil coolers as standard and have hydraulic adjustments. The high-capacity gearbox will allow you to work in the most demanding conditions.





FAST-FIT BLADES

**A quick-release system
to prevent downtime
during jobs.**

1. No overhang

Convex and treated forged steel gearwheels with no overhang in relation to the bearings. Long splines and gearwheels ensure smooth gear transmission.

2. Maintenance-free and highly rigid trough

8 mm thick profiled trough made from high-tensile steel. It contains semi-liquid grease which ensures lifelong lubrication of pinions and gearwheels. Sealed by O-rings and lip joints for a long service life.

3. No maintenance on bearings

Large conical roller bearings are loaded with a calibrated spacer. They are perfectly aligned in their housing with no play.

4. Perfect bearing hold

28 mm thick cast iron rectangular housings ensure protection against wear and distortion. A cassette seal provides very efficient protection against bearing pollution.

5. Rounded blade holders

This specific shape provides smoother operations with less lateral soil pushing, resulting in lower power consumption.

THE KUHN ASSET

6. Reliable splines

Rotor shafts with rolled splines are made by metal compression. Conical centering of blade holders results in perfect shaft connection and prevents any spline play.

A PERFECT SEEDBED IN ALL CONDITIONS



With hydraulic settings, you can adapt the machine in real time to working conditions! KUHNS new range of HR power harrows has a model to suit every situation as well as options adapted to your requirements.

We offer accessibility and ease-of-use with working widths of 3 to 4.5 m



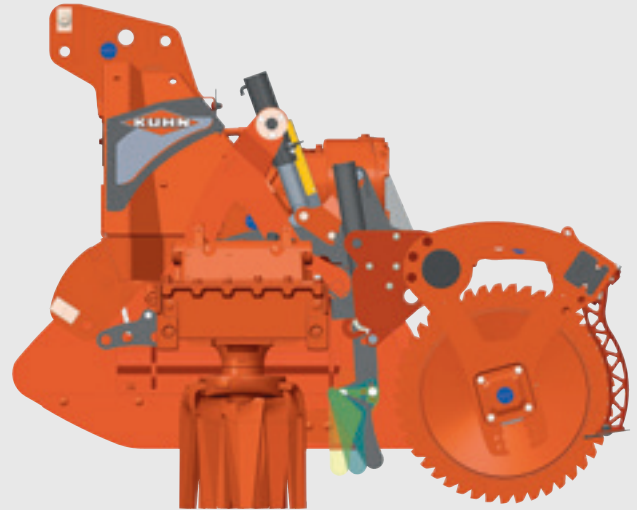
Extra-long blades

This specific design helps create a fine tilth with a working depth down to 20 cm. The 1040 series features 335 mm blades to perform in the most demanding conditions.



A rotor that adapts to conditions

Duplex gearboxes make it possible to adapt rotor speed to working conditions. Speed can vary between 255 and 539 rpm for the 1040 series to produce a great quality seedbed in very difficult conditions.



ADJUST THE LEVELLING BAR

Depth and levelling-bar tilt are hydraulically adjustable from the cab to suit conditions, according to the model. The levelling bar is fitted to the roller frame which enables you to adapt traction power.



Track eradicators

Optional track eradicators break up the soil compacted by the tractor wheels.



Side deflectors for a perfect finish

The special long design of these side deflectors ensures a perfect finish between two passes. They are quick and easy to adjust with spring safety and double-arm attachment for optimum hold. Side discs are also available as an option.

THE BENCHMARK FOR RELIABILITY

We have used high quality parts so that you can work in any conditions for as long as possible. Versatility and reliability guaranteed.

A GEARBOX WITH A DIFFERENCE

The central gearbox is equipped with an oil cooling system on 1040 series machines. The integrated pump and additional oil tank cools the oil before reinjecting it into the gearbox.



Stone deflectors

In stony conditions, optional V-shaped deflectors protect the central beam from impacts. Being attached with bolts, they are easy to remove for deeper, faster operations.



You decide

With the KSL 14 function selector, control the following functions from the cab: working depth of rotor and levelling bar, coulters bar lift and ground pressure. One single hydraulic valve is enough to manage all of these functions.



More linkage possibilities

Linkage categories 2, 3, and 4N with the possibility of adapting to large tractors for cat. 3 and 4 quick hitch. It is possible to position the machine closer to the tractor: the central gearbox is offset to the rear to reduce the angle with the PTO.

OPT FOR FAST-FIT BLADE ATTACHMENT

You can count on KUHN's experience of over 40 years in the field of power harrows, with thousands of machines in service and feedback from millions of hectares worked with KUHN power harrows.

DURAKARB: THE FEATURES THAT MAKE THE DIFFERENCE

This blade (available as an option on models HR 1020 - 1030 - 1040 - 1040 R - 104 - 1004) is the result of the fusion of steel and tungsten carbide. The rounded shape of the 4 plates provides 136 mm of protection to reduce wear and make it more robust, even in stony conditions.



STANDARD

The standard blades are equipped with a quick release system. They measure 315 mm (HR 1020 and HR 1030 series) and 335 mm (HR 1040 series) long.



DURAKUHN

KUHN power harrows can be equipped with optional fast-fit blades coated with tungsten carbide for an even longer service life. No more downtime replacing blades.

HR 104 | 1004 **HRB** 102 | 103

ROBUST AND DURABLE DESIGN FOR A SUPERIOR SEEDBED



Power harrows with working widths from 2.50 to 6 m.
Rigid or foldable, to be used solo or with a seed drill.



Position of blade holders

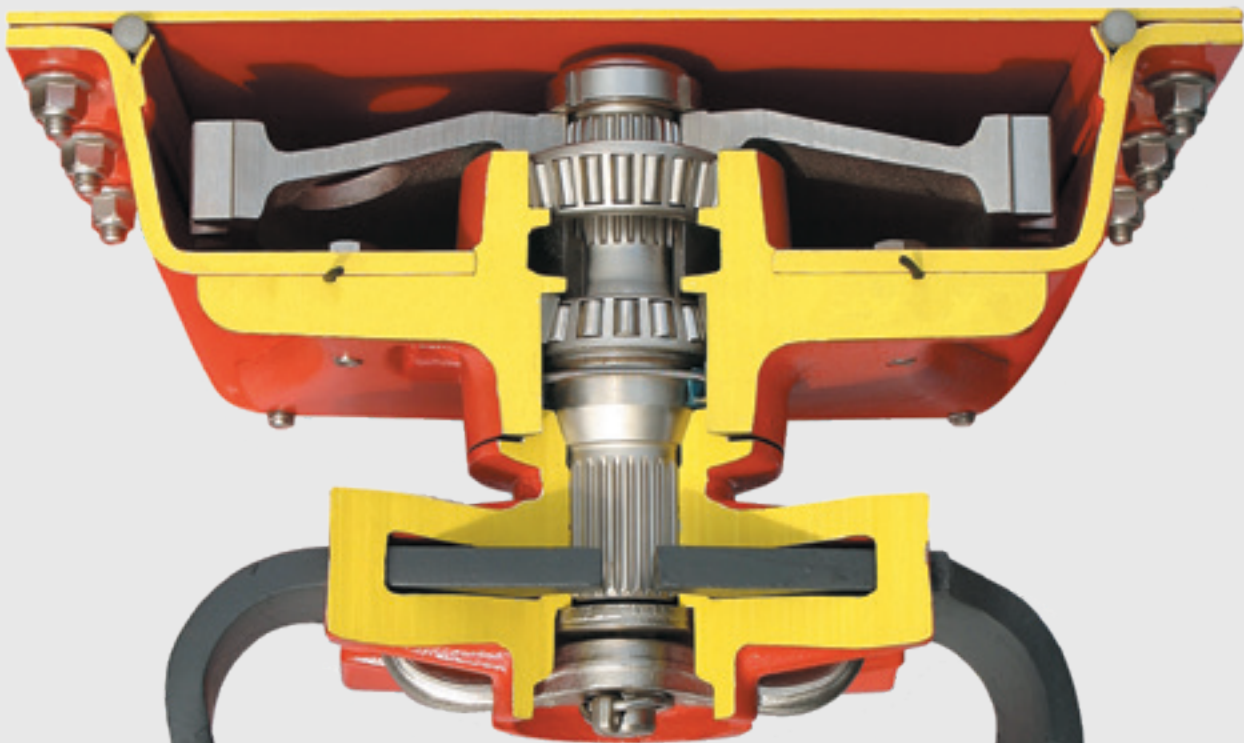
The blade holders are positioned so that they crumble the soil progressively. This exclusive design prevents the harrow from receiving damaging vibrations as well as reduces power consumption.



Depth control

Roller height is easily adjusted with a simple-to-use multi-hole and stop-pin selector. Having no downward restriction, the roller holds the ground even when the machine is forced up during work. The rounded shape of the pin and stop arm increases their contact area and prevents burring problems.

A UNIQUE ROTOR



THE KUHN ASSET

The housing, bearings and blade holders form a compact unit to reduce torsion stress.
A rigid gearbox protects the rotor which has a maintenance-free trough. The position of the bearings in the housing ensures permanent hold with no play.
A cassette seal (HR) or lip joint (HRB) seals the unit. Conical centering of blade holder prevents any spline play.



A perfect finish

The special design of these side deflectors ensures a perfect finish between two passes. HRB deflectors are fitted to the roller arm and follow working height perfectly. On HR 1004 models, they have a spring-loaded arm too for total safety. No need to remove the bolts to make adjustments.



Reliable transmission and gearbox

Power transmission to the blades is ensured by the gearwheels. Most models are equipped with Duplex gearboxes whose interchangeable gearwheels make it possible to change rotor speed. The whole drive line is protected by cut-out clutch.



Heavy-duty central frame and coupling device

4, 4.5 and 5 m models have a central frame made of heavy box sections which make the machine highly rigid and resistant to bending and torsion. The central frame on HR 6004 DR models has a double front and rear frame in rectangular heavy box sections.

A HARROW ADAPTED TO YOUR CONDITIONS

Diverse factors force you to work in different conditions. With our wide range of blades, equipment and gearboxes, you can be sure of your choice.

BE VERSATILE WITH A WIDE CHOICE OF BLADES



FAST-FIT blades equip HR 104-1004 power harrows as standard.

Their bevelled, twisted shape creates a favourable environment for germination in difficult conditions. They are adapted to high working speeds.

OPTIMIX blades have an exclusive shape for seedbed preparation on unploughed land after stubble clearing or soil loosening, as well as for pasture reclamation. Their “forward-action,, angle loosens the soil effectively and mixes top soil with crop residues.

DURAKUHN blades are coated with tungsten carbide and **DURAKARB** blades have tungsten carbide plates fused to the blade. These extra-long 365 mm blades are also made to work deeper.



A wide range of gear speeds

The gearwheels in the Duplex gearbox can be inverted to give even more rotational-speed possibilities and adapt to crumbling intensity.

The rear-positioned gearbox reduces shaft angles and improves harrow lift at headlands.



Fast and easy adjustments

These power harrows can be used in rigid or floating position thanks to their centrally articulated frame. Adapt the tool to ground conditions by simply pivoting a wedge with an oblong hole.

HRB 103 DR and HR 1004 DR series are equipped with height-adjustable side deflectors, as standard, to adapt to conditions. They are articulated and have a spring return safety device.

HRB POWER HARROWS IN VINES AND ORCHARDS

These tools are just as effective as the wider models. A rear PTO stub is standard on all models to accommodate all types of rear-mounted equipment used in viticulture and arboriculture.

CONTROL WORKING DEPTH

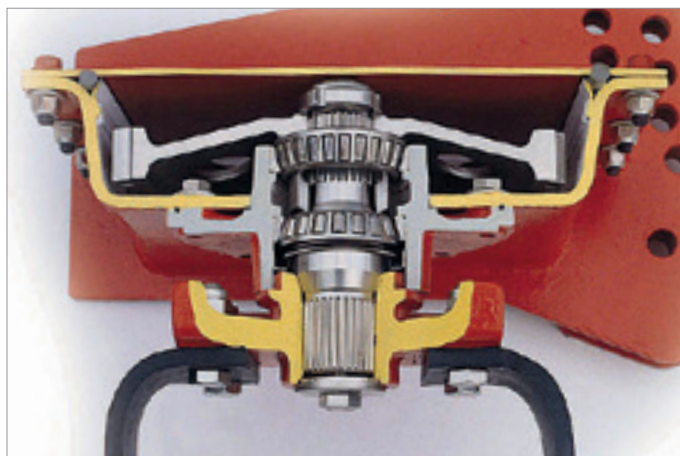


A large-diameter, maintenance-free CRUMBLER roller ensures that soil tamping is adapted to conditions and effectively regulates working depth. HRB 202 power harrows can also be equipped with a PACKER 2 roller (515 mm diameter).



Heavy-duty, compact housing

The housing, bearings and blade holders form a heavy-duty and compact unit. The reduced space between the housing and the top of the blade holders prevents stones getting stuck there. And soil flow is guided towards the blades.



The ideal strength for your specialist crops

The low, rounded and narrow profile of HRB 102 series harrows makes them ideal for your specialist crops. Gearwheels and bearings are lubed-for-life and sealed with O-rings to make the rotors highly durable.

TESTIMONIALS

KUHN POWER HARROW USERS
ALL OVER THE WORLD ARE SATISFIED.
READ THEIR TESTIMONIALS TO FIND OUT
WHAT THEY LIKE ABOUT OUR DIFFERENT MODELS.



RAMONA FARMS

SACATON, ARIZONA, USA
| HR 6040 R

«We grow about 200 acres (80 ha) of red beans, chickpeas and tepari beans and we really appreciate how easy the KUHN HR 6040 R harrow is to use, and the quality of the tool. When we use it to prepare the seedbeds, the most important factor for us is to get the soil perfectly levelled with an even working depth of one and a half inches (4 cm) across the entire seedbed.»
- Karl B.



PETER MARTENS

PENN YAN, NEW YORK, USA
| HR 4504

«We have been able to prepare our soils effectively and save a lot of time because with our power harrow (KUHN HR 4504) we can work the land without losing as much moisture as when we have to use a disc tool. The operating costs are lower. Wear parts and tines are much cheaper on the KUHN harrow compared to competitor models. The KUHN machine is simply more robust and resistant.»



JAUME PONT

FAMILY FARM SAN JOSE,
TAMARITE DE LITERA,
HUESCA, SPAIN
| HR 8040 R

«We are very happy with the performance and output quality of this new power harrow. We have been working with this machine for one and a half seasons and we have had absolutely no breakdowns. Only the usual costs for wear parts and maintenance for a machine that prepares around 1,000 to 1,500 hectares per year. Another practical machine feature is its working-depth adjustment. Adjustments are very easy and can be carried out hydraulically.»



CRISTIAN VERUCCHI

ANZOLA DELL'EMILIA BOLOGNE,
ITALY
| HR 8040 R

«The HR 8040 R harrow is a very high-performance, reliable and robust machine with unique features: The KTS 20 control box helps us to control the temperature and speed of the harrow's three gearboxes, so damage is avoided when taking the machine out consecutively for intensive jobs. All adjustments are hydraulic so it's quick to start the power harrow up and adapt it to different working conditions.»



OPT FOR COMFORT AND QUALITY WORK



KSL 14 function selector

Use the KSL 14 function selector to control the following functions from the cab: working depth of the rotor and levelling bar, coulter bar lift and ground pressure.



More linkage possibilities

Linkage categories 2, 3, and 4N with the possibility of adapting to large tractors for cat. 3 and 4 quick hitch. It is possible to position the machine closer to the tractor: the central gearbox is offset to the rear to reduce the angle with the PTO.



More and more hydraulic adjustments

HR 1020 and HR 1030 series models have hydraulic working depth and levelling bar adjustment as an option. Levelling bar depth is hydraulically adjustable from the cab to suit conditions. The levelling bar is fitted to the roller frame which enables you to adapt traction power.



Track eradicators

Optional track eradicators break up the soil compacted by the tractor wheels. Side discs are available, as an option for a perfect finish.



On stony plots

V-shaped deflectors protect the central beam from impacts in stony conditions. They are attached with bolts so are easy to remove for deeper, faster operations.

INCREASINGLY PRACTICAL EQUIPMENT



A self-cleaning frame

A special frame design prevents soil from building up on the central beam. When folded in transport position, all soil residue is eliminated automatically.



Safe road transport

HR 1040 R power harrows fold hydraulically and lock into transport position. Large-diameter pivoting twin wheels on a standard transport frame (optional) ensure smooth road travel. No braking system is required and transport legislations are respected with mid-size tractors. During work you can uncouple the frame to avoid extra weight on the machine. The hydraulic coupling system is very easy to use.



Working in stony conditions

V-shaped stone guards can be fitted between two rotors in order to prevent stones from getting jammed. Side discs are available as an option, for a perfect finish.



Wheel-track eradicators

Optional wheel-track eradicators are designed to break up the compacted soil behind the tractor wheels. They are adjustable in depth. Depending on working conditions and the quantity of stones in your plots, you can choose between traction bolt and spring release safety systems.

CUSTOMISABLE TO SUIT YOUR NEEDS

Front share

The front share crumbles the soil between the two troughs on the foldable models. This is particularly useful for crops that demand a perfect seedbed and for working in humid or clayey soil.



Rear hydraulic linkage

The standard hydraulic linkage system with lifting capacity of 2,500 kg is ideal for routine use with seed drills and is available with all rigid power harrow models. Power harrows can be equipped with a high-capacity linkage system which lifts up to 3,300 kg. Cylinders and pivot pins are reinforced and fitted with bushes. The rear linkage system hydraulic and is equipped with a hydraulic lift limiter. This system is recommended for hitching high-capacity seed drills and precision seed drills. It is available with all HR 104 and 1004 models except HR 6004 DRC.



Levelling bars

The front levelling bar is used to break down and level mounds on irregular plots. It is easy to remove and adjust the height so it does not affect working depth. To obtain a fine seedbed the levelling bar can be positioned at the rear between the gear trough and the roller. If required, two levelling bars can be fitted: one to the front and one to the rear.



Track eradicators

Optional track eradicators are available for all foldable power harrows as well as rigid HR 104 and HR 1004 models. They are used to loosen the ground compacted by tractor wheels. They are adjustable in height and equipped with traction bolt or spring safety system. When working with dual wheels or very large tyres, two sets of track eradicators can be fitted to each side of the machine on the same holder.



HRB 122 | 152 | 182 | 202

HR 104 | 1004 / **HRB** 102 | 103

HR 1020 | 1030 | 1040

HR 1040 R

A WIDE CHOICE OF ROLLERS TO MEET YOUR NEEDS



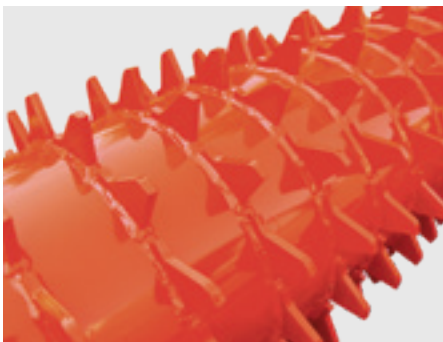
STEELLINER

This furrow roller packs each seeding line with precision. With diameters of 500 mm (HRB range) and 550 mm (HR range), the STEELLINER roller has very good rolling and carrying capacities. It works well in difficult and wet conditions and has an excellent crumbling capacity on dry, hard ground.



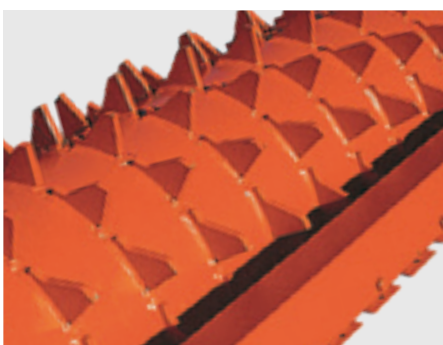
PACKLINER

This furrow roller packs each seeding line with precision. The 592 mm diameter of the PACKLINER roller has a prismatic profile that improves self-cleaning and creates a uniform furrow. Even in difficult conditions it covers the seeds. It excels in light soil and is also adapted to soils with a high clay content.



MEGAPACKER

This roller is recommended in light, chalky, clay-limestone and clay-silt soils. The PACKER roller's very large diameter (590 mm) is easier to pull in light soils and ensures better soil consolidation.



MAXIPACKER

This all-rounder large-diameter roller (535 mm) reduces rolling resistance. It can be used in combination with a mechanical or precision seed drill. Standard hard-coated scrapers increase service life, reduce maintenance and improve roller cleaning in sticky soil.

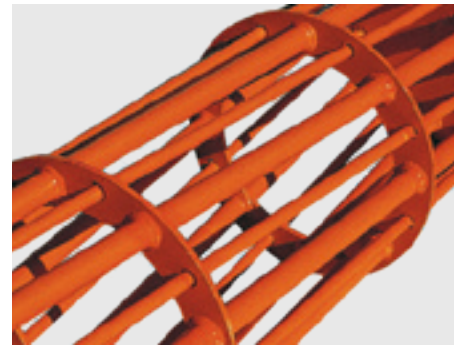
MAXICRUMBLER

This is a light roller used to prepare the plot in spring and summer. It requires low traction power only and is cost-effective. The 520 mm MAXICRUMBLER reduces soil build-up and is more resistant in stony conditions.



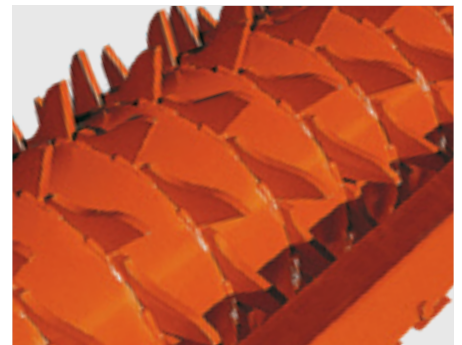
CRUMBLER

This roller is adapted for use on dry soil. It is not compatible with an integrated seed drill. It is designed to prepare spring and summer plots. It has a low power requirement and is cost-effective. The 390 mm-diameter CRUMBLER roller has removable bars.



PACKER PK2

This 515 mm-diameter roller can work in all sorts of conditions but is particularly effective in clayey soils that tend to crack and harden during the dry season. It contributes to creating an ideal seedbed by tamping the soil down deep while loosening it on the surface. It is compatible with light integrated seed drills.



Roller height adjustment on HR 104-1004 and HRB 102-103

Roller height is easily adjusted with a simple-to-use, multi-hole and stop pin selector. Having no downward restriction, the roller holds the ground even when the machine is forced up during work. The rounded shape of the pin and stop arm increases their contact area and prevents burring problems.



Hard-coated scrapers

These hard-coated scrapers have a very long service life thanks to their tungsten carbide coating. The three work surfaces are protected which prevents having to make frequent adjustments. Standard on MAXIPACKER, MEGAPACKER, STEELLINER and PACKLINER rollers.



Technical specifications

	HR 6040 R	HR 7040 R	HR 8040 R	
Working width (m/ft)	5.96 / 19'7"	6.96 / 22'10"	8.05 / 26'5"	
Transport width (m/ft)	3.00 / 9'10"			
Transport height (m/ft)	3.25 / 10'8"	3.75 / 12'4"	4.25 / 13'11"	
Max. tractor power (kW/hp)	336 / 460	345 / 480	365 / 500	
Min. tractor power requirement (kW/hp)	131 / 180	161 / 220	175 / 240	
Gearboxes	reinforced central gearbox with oil cooling system; side DUPLEX gearbox			
PTO safety	cam type cut-out clutch on each half-harrow			
PTO speed (min ⁻¹)	1 000			
Rotor speed (min ⁻¹)	274 / 349 (after inversion / gearwheels 32-34)			
Number of rotors	20	24	28	
Working depth adjustment	hydraulic			
Levelling bar	◆ (with hydraulic adjustment)			
Side deflectors	◆ (adjustable, with spring safety and double arms)			
Hitch attachment	cat. 3, 4N and 4 with yokes			
Working position	rigid or floating (0/+ 2.5°)			
Transport locking position	hydraulic			
Control box	KTS 20: monitoring of gearbox temperature and safety clutch release			
Central front share	◇			
Weight approx. (kg/lbs)	with MAXICRUMBLER roller (Ø 520mm)	4,015 / 8,850	4,350 / 9,590	4,410 / 10,320
	with MAXIPACKER roller (Ø 535mm)	4,515 / 9,950	4,930 / 10,870	5,070 / 11,770
	with MEGAPACKER roller (Ø 590mm)	4,600 / 10,140	5,030 / 11,090	5,195 / 12,050
	with STEELLINER roller (Ø 500mm)	4,700 / 10,360	5,130 / 11,310	5,305 / 12,290
Tractor hydraulic equipment required	3 x DA (levelling bar, depth adjustment, folding and locking for transport)			

◆ standard equipment ◇ optional equipment - not available

HR 1040 R optional equipment

DURAKUHN blades - DURAKARB blades, V-shaped stone guards - anti-wrap collar - track eradicators (spring or bolt safety) - transport carrying frame.

Technical specifications

	HRB 122	HRB 152	HRB 182	HRB 202	HRB 202 S
Working width approx. (m)	1.20	1.50	1.80	2.10	
Overall width (m)	1.30	1.60	1.89	2.19	
Max. tractor power (kW/hp) at 540 min ⁻¹	59 / 80				
Min. tractor power (kW/hp) at 540 min ⁻¹	18 / 25	22 / 30	26 / 35	30 / 40	
Gearbox	◆ Single speed for PTO 540 min ⁻¹				
Rear PTO stub	◇				
PTO safety	Shear bolt torque limiter				
Adjustable working depth (cm)	20				
Depth control	CRUMBLER roller			CRUMBLER or PK2 ROLLER	
PTO speed (min ⁻¹)	540				
Rotor speed (min ⁻¹) at 540 min ⁻¹	253				
Rotor speed (min ⁻¹) at 1,000 min ⁻¹	468 (in good conditions)				
Blade attachment	Bolted blades				FAST-FIT blades
Linkage	Cat. 1 N (narrow,) 1 and 2 - Pivoting yokes			Cat. 2 and 3	
Weight (kg) approx.	with crumbler roller w/removable bars (Ø 390 mm)	440	500	550	730
	with PACKER PK2 roller (Ø 515 mm)	PK2 roller on 152 and 182			900

◆ standard equipment ◇ optional equipment - not available

Not all machines are available in all countries. *Working width depends on machine options.

Optional equipment HRB 122 - 152 - 182 - 202

Adjustable levelling bar on HRB 202, set of 4 track eradicators.

Technical specifications

	HRB 252 D	HRB 302 D	HRB 303 D	HRB 353 DN	HRB 403 D	HRB 403 DR	HRB 453 DR
Working width (m/ft)	2.50 / 8'2"	3.00 / 9'10"		3.44 / 11'3"	4.00 / 13'1"		4.50 / 14'8"
Overall width (m/ft)	2.60 / 8'5"	3.08 / 10'1"		3.50 / 11'6"	4.11 / 13'6"	4.08 / 13'5"	4.67 / 15'4"
Transport width (m/ft)						2.67 / 8'9" 2.51 / 8'3" (rollers raised)	
Frame type	Rigid					folding (two double acting)	
Min. tractor power (kW/hp)	37 / 50	44 / 60	51 / 70	59 / 80	66 / 90	81 / 110	88 / 120
Max. tractor power (kW/hp)	103 / 140		118 / 160		132 / 180		
Gearbox	Duplex (central)						
PTO speed (min ⁻¹)	540* / 1,000		540 / 750 / 1,000*			750 / 1,000	
PTO shaft safety	◆ Friction slip clutch ◇ Cam-type cut-out clutch						
Rear PTO stub							
Number of rotors	8	10		12	13		15
FAST-FIT blade attachment	-						
Working depth (cm/in)	2 to 20 / 1" to 8"						
Attachment	Cat. 2 & 3 with yokes		Cat. 2 & 3 with pivoting yokes		Cat. 3		
Lighting and signalling	◇					◆	
Weight kg (approx.)	with CRUMBLER roller with removable bars (Ø 390 mm)	835	965	1,075	-	-	-
	with PACKER PK2 roller (Ø 515 mm)	1,014	1,170	1,280	-	1,650	2,260
	with MAXIPACKER roller (Ø 535 mm)	1,035	1,200	1,310	1,575	1,700	2,310
	with STEELLINER roller (Ø 500 mm, row spacing 12.5 cm)	-	1,325	1,435	-	-	-
	with STEELLINER roller (Ø 550 mm, row spacing 12.5 cm)	-	-	-	1,725	1,870	-
	with STEELLINER roller (Ø 550 mm, row spacing 15 cm)	-	-	-	-	-	2,400
	with PACKLINER roller	-	-	1,435	1,770	1,920	-

◆ standard ◇ option - not available *factory fitted

Optional equipment HRB 102 D series / HRB 103 D series

Cam-type cut-out clutch safety (on HRB 252 and 302 D) - additional sets of gearwheels - semi-automatic linkage (tractor/machine) - levelling bar to fit to front or rear - track eradicators with spring or traction bolt safety - standard seed drill attachment or hydraulic lift attachment with two cylinders - stroke limiting device for hydraulic attachment.

Optional equipment HR 104 series / HR 1004 series

Levelling bar to fit to front or rear - track eradicators (spring or traction bolt safety) - additional sets of gearwheels - reinforced PTO shaft for tractors over 200 hp - longer attachment yokes - standard seed drill attachment or hydraulic lift attachment - stroke limiting device for hydraulic attachment - DURAKUHN or DURAKARB coated blades - OPTIMIX blades - long blades (36 cm) for deep soil preparation: potatoes, carrots etc.

HRB 503 DR	HR 304 D	HR 304 M	HR 404 D	HR 3004 D	HR 3504 D	HR 4004 D	HR 4004 DR	HR 4504 DRC	HR 5004 DRC	HR 6004 DRC
5.00 / 16'5"	3.00 / 9'10"		4.00 / 13'1"	3.00 / 9'10"	3.50 / 11'6"	4.00 / 13'1"	4.00 / 13'1"	4.50 / 14'9"	5.00 / 16'5"	6.00 / 19'7"
4.97 / 16'4"	3.12 / 10'3"		4.11 / 13'5"	3.08 / 10'1"	3.50 / 11'6"	4.10 / 13'5"	4.08 / 13'5"	4.67 / 15'4"	4.97 / 16'4"	6.21 / 20'4"
							2.67 / 8'9" 2.51 / 8'3" (rollers raised)			2.65 / 8'8" 2.52 / 8'3" (rollers raised)
cylinders)	Rigid						Folding (two double-acting cylinders)			
96 / 130	59 / 80		73 / 100	59 / 80	66 / 90	73 / 100		88 / 120	96 / 130	130 / 180
	139 / 190			184 / 250						265 / 350
	Multiplex		Duplex (central)							Duplex (lateral)
	540 / 750 / 1,000*						750 / 1,000			1,000
◆ (cam-type cut-out clutch)										
◆										
16	10	14	10	12	14	13	15	16	20	
◆										
	3 to 25 / 1" to 10" (standard blades) up to 31 / 12.2" (long blades)						3 to 25 / 1" to 10" (standard blades)			
	Cat. 2 & 3 with pivoting yokes			Cat. 2	Cat. 2 or 3		Cat. 3			
	◇						◆			
-	1,090	1,130	-	1,185	-	-	-	-	-	-
2,530	1,295	1,335	1,740	1,390	-	1,850	2,340	2,520	2,625	3,290
2,605	1,325	1,365	1,790	1,420	1,685	1,900	2,390	2,595	2,700	3,350
-	-	-	-	-	-	-	-	-	-	-
-	-	-	-	-	1,840	2,095	-	-	-	-
2,765	1,450	1,490	1,950	1,550	-	-	2,480	-	2,860	3,550
-	1,490	1,530	2,010	1,590	1,885	2,145	-	-	-	3,630

Optional equipment HRB 103 DR series / HR 1004 DR series

Levelling bar to fit to front or rear on HR 4.00 - 4.50 - 5.00 m - levelling bar to fit to front or rear on HR 6004 DRC - track eradicators (spring or traction bolt safety) - additional sets of gearwheels - reinforced PTO shaft for HR 4004 DR, HR 4504 DRC and HR 5004 DRC - standard seed drill attachment with hydraulic lift and stroke limiting device - rear seed drill attachment with double acting hydraulic lift with two cylinders and stroke limiting device (except HR 6004 DRC) - front share.

Technical specifications

	HR 3020	HR 3520	HR 4020	
Working width (m)*	3.00	3.50	4.00	
Transport width (m)	3.00	3.50	4.05	
Max. tractor power (kW/hp)	132 / 180	139 / 190	146 / 200	
Min. tractor power (kW/hp)	59 / 80	66 / 90	73 / 100	
Gearbox	Duplex			
Safety system				
PTO speed (min ⁻¹)				
Rotor speed (min ⁻¹)	290 / 330			
Number of rotors	10	12	14	
FAST-FIT blade attachment				
Working depth adjustment	◆ Manual as standard			
Levelling bar				
Side deflectors				
Linkage				
Weight (kg) approx.	with MAXICRUMBLER roller (Ø 520 mm)	1,320	1,365	1,478
	with MEGAPACKER roller (Ø 590 mm)	1,611	1,706	1,871
	with MAXIPACKER roller (Ø 535 mm)	1,569	1,658	1,809
	with PACKLINER roller, 12.5 cm row spacing (Ø 592 mm)	1,685	1,779	1,956
	with PACKLINER roller, 15 cm row spacing (Ø 592 mm)	1,672	-	-
	with STEELLINER roller (12.5 cm row spacing, Ø 550 mm)	1,659	1,762	1,921
	with STEELLINER roller (15 cm row spacing, Ø 550 mm)	1,625	-	-
Tractor hydraulics	◇ option			

◆ standard ◇ option - not available *Working width depends on machine options



KUHN PARTS



Designed and manufactured to rival time. KUHN foundries and forge as well as a high-level manufacturing process allow the production of spare parts to defy time. You can truly rely on our know-how and our genuine parts. Farmers benefit from our client support and logistics services via any KUHN PARTS warehouse, which provide quick and reliable repair solutions in cooperation with your nearest authorized KUHN dealer.

HR 3030	HR 3530	HR 4030	HR 3040	HR 3540	HR 4040
3.00	3.50	4.00	3.00	3.50	4.00
3.00	3.50	4.10	3.00	3.50	4.10
176 / 240	183 / 250	190 / 260	219 / 300	226 / 310	234 / 320
59 / 80	66 / 90	73 / 100	66 / 90	77 / 105	88 / 120
			Duplex with oil circulation		
Cut-out clutch					
1 000					
(after inversion)			296 - 463 (after inversion)		
10	12	14	10	12	14
◆ standard					
and hydraulic as an option			◆ hydraulic		
Adjustable - with spring safety and double arms					
cat. 2, 3N, 3 and 4N					
1,430	1,490	1,618	1,615	1,690	1,830
1,721	1,831	2,011	1,907	2,031	2,223
1,679	1,783	1,949	1,865	1,985	2,161
1,795	1,904	2,096	1,981	2,104	2,308
1,782	-	-	1,970	-	2,290
1,769	1,887	2,061	1,955	2,087	2,273
1,735	-	-	1,920	-	-
			2 x DA (levelling bar, depth adjustment)		

Optional equipment HR 1020 / 1030 / 1040 Hydraulic working-depth and levelling bar adjustment on HR 1020 and HR 1030 series models. DURAKARB or DURAKUHN blades, KSL 14 function selector, V-shaped stone guards, track eradicators (spring or bolt safety).

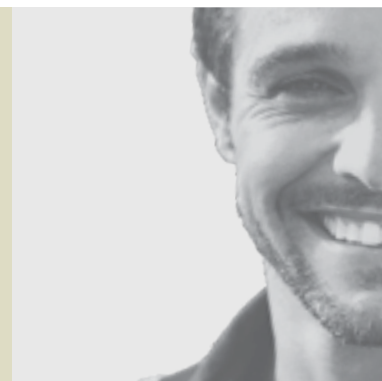
KUHN SERVICES*

KUHN sos order - Express spare parts service, 24/7*

KUHN protect+ - The choice of professionals!

KUHN i tech - For ever quicker repairs!

KUHN finance - Invest rationally!



MyKUHNS

THE LINK TO MY SUCCESS!

MyKUHNS is your online space. Sign up today and find out how MyKUHNS's exclusive services will help you manage your KUHN machinery and terminals more effectively. Log on with your computer, mobile phone or tablet computer to access spare parts catalogues, technical documentation and many connected services.



Check out the most comprehensive range of seed drills on the market.



1. Mounted mechanical - 2. Integrated mechanical - 3. With front hopper - 4. Integrated pneumatic - 5. Foldable pneumatic
6. Mounted for min-till seeding - 7. Trailed for min-till seeding - 8. Precision seed drills

KUHN SAS - 4 Impasse des Fabriques - BP 50060 - F-67706 Saverne CEDEX - FRANCE
KUHN NORTH AMERICA, INC. - 1501 West Seventh Avenue - Brodhead, WI 53520 - USA
KUHN FARM MACHINERY PTY. LTD - 313-325 Foleys Road - Deer Park, VIC, 3023 - AUSTRALIA
KUHN FARM MACHINERY (U.K.) LTD - Stafford Park 7 - GB TELFORD/ SHROPS TF3 3BQ

To find your nearest KUHN dealer,
visit our website www.kuhn.com

Information given in this document is only for information purposes and is non-contractual. Our machines are in compliance with regulations in force in the country of delivery. In our literature, and for improved illustration of certain details, some safety devices may not be in operating position. When operating these machines, these devices **must** be in position in accordance with the requirements indicated in the operator's manuals and pre-delivery instructions. RESPECT THE ROAD REGULATIONS IN FORCE AS WELL AS the tractor gross vehicle weight rating, its lift capacity and maximum load per axle and tyres. The tractor front AXLE load must always comply with the regulations of the country of delivery (In Europe, it must reach minimum 20 % of the tractor net weight). We reserve the right to change any designs, specifications or materials listed without further notice. Machines and equipment in this document can be covered by at least one patent and/or registered design. Trademarks cited in this document may be registered in one or several countries.

To protect the environment, this leaflet is printed on chlorine-free paper.
Printed in France - 920 630 EN - 06.22 - Copyright 2022 KUHN

