



WESTERN STAR TRUCKS®

**W 6900**



## TOUGHEST OF TOUGH

---

Western Star trucks are seriously tough, and the 6900 is the toughest! Big and powerful, you'll find the 6900 in the harshest of conditions, taking on the most challenging of situations. Completely handcrafted and comprising a steel cabin, this heavy duty Star features a full width, walk-through cab and long bonnet offering the best in driver comfort.



# LET'S GET SERIOUS

W 6900





## HEAVY HEROICS

In the world of heavy duty trucking, Australia needed a hero. And we gave you one in form of a Star: the 6900. Designed for heavy duty loads over long distances. Made for Australian terrain. It's a proven performer, a true blue Western Star.

## CABIN COMFORTS

Just because you're behind the wheel of a heavy duty truck doesn't mean you have to drive in discomfort. The opposite should apply. As with all Stars, we've designed the 6900 with you in mind - in every step of the build. The cabin in particular is your castle. It's comfortable, spacious and ergonomic.

# HEAVY DUTY. STAR QUALITY.



## POWER WHEN YOU NEED IT

The Western Star 6900 puts muscle into your movement with the Cummins X15. Cummins engines deliver fuel efficiency and improved productivity, giving you confidence your 6900 will meet the toughest of challenges.



# CUMMINS POWER



## YOUR CAB YOUR CASTLE

You won't find any aluminium or rivets on this Star. It's a Star of steel. Built for strength. The galvanized steel cab is designed to maximise your protection. Precision-welded for strength, the cab is dipped in a 17-stage e-coat process for long-lasting corrosion resistance. Handcrafted and built with the highest quality US-manufactured componentry, this is one tough Star.

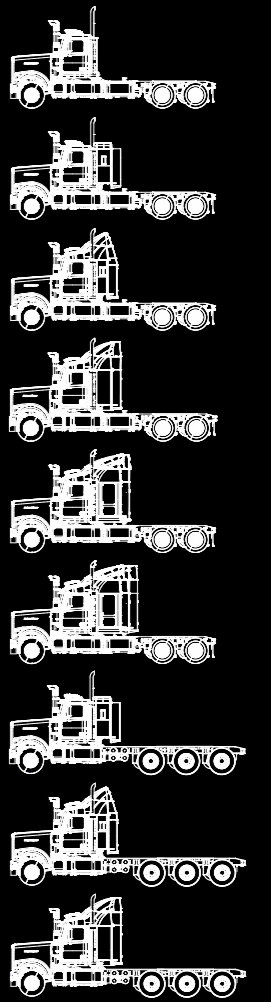
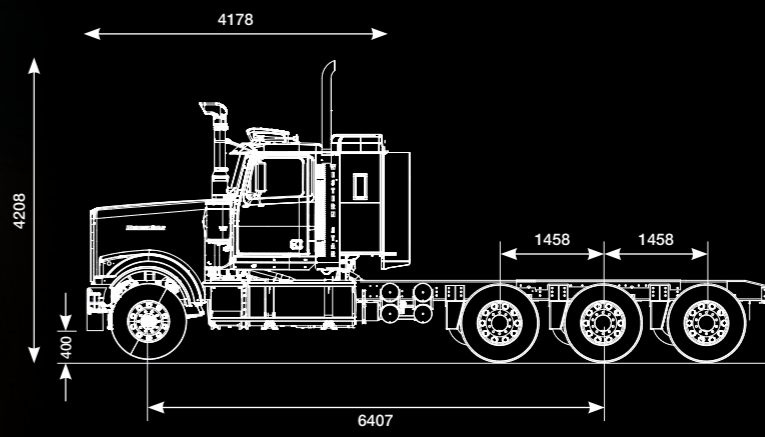
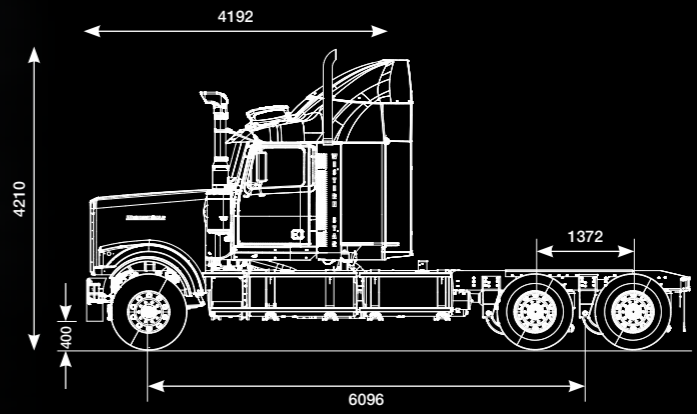
# NO COMPROMISES



# SPECIFICATIONS

WESTERN STAR 6900 (6X4)*	
Engine	Cummins X15 550 - 600 hp
Transmission	Eaton Manual and Ultrashift
Front Suspension	Flat leaf 8,200kg std
Rear Suspension	Neway, TufTrac. Capacity: 46,000lb to 52,000lb
Front Axle	Meritor FL-941, 9 tonne capacity
Rear Axle	Meritor, Dana and Sisu. Ratings: 52,000 to 78,000lb
GVM	24,000kg to 28,000kg
GCM	200,000kg
Wheelbase	Optional wheelbases available
Cab Options	Day Cab Sleeper Options: 34" low roof Starlite, 40", 54" and 68" Stratosphere

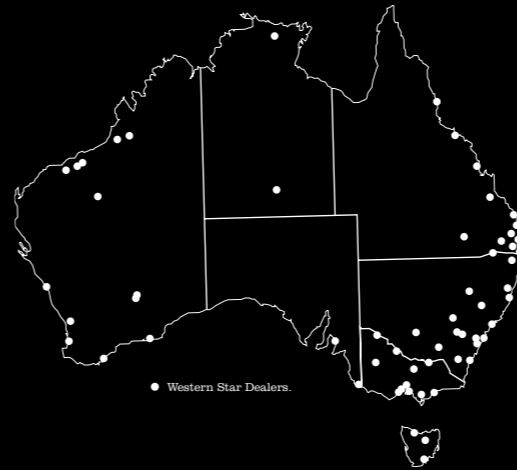
WESTERN STAR 6900 (TRI-DRIVE SLEEPER CAB)*	
Engine	Cummins X15 550 - 600 hp
Transmission	Eaton Manual and Ultrashift
Front Suspension	Flat leaf 8,200kg std
Rear Suspension	Neway. Capacity: 69,000lb to 78,000lb
Front Axle	Meritor FL-941, 9 tonne capacity
Rear Axle	Meritor, Dana and Sisu. Ratings: 52,000 to 78,000lb
GVM	24,000kg to 32,000kg
GCM	250,000kg
Wheelbase	Optional wheelbases available
Cab Options	Day Cab Sleeper Options: 34" low roof Starlite, 40" and 54" Stratosphere



\*Specifications subject to change based on state regulations.



# SUPPORT



## BACKED BY PENSKE

Penske Commercial Vehicles is the exclusive importer and distributor of Western Star Trucks, MAN Truck & Bus, as well as Dennis Eagle Trucks across Australia and New Zealand. Penske Commercial Vehicles is a subsidiary of Penske Automotive Group, a worldwide leader in automotive retail and transportation services, operating automotive and commercial truck dealerships in the United States, Canada and Western Europe, and employing more than 26,000 people globally. With a network of 70 company-owned and independent dealers across Australia and New Zealand, Penske Commercial Vehicles provides full authorised parts, service and warranty functions. No matter where your job takes you, there will be a Western Star dealer nearby ready to help.





## PENSKE DISTRIBUTION CENTRE

In addition to our extensive network of 70 dealers across Australia and New Zealand, customers are also fully supported by the Penske Distribution Centre (PDC). Located in Wacol, QLD, our state-of-the-art PDC comprises a total floor area of 20,000 sq metres and has an inventory of over 1.3 million parts. Our efficient picking and packing processes ensure we are able to meet high levels of performance and effectiveness, achieving an on-time dispatch of 99.9% and an accuracy rate of 99.87%. From our operations through to the vehicles you drive, we are committed to you.

# NETWORK

W 6900







**WESTERN STAR TRUCKS®**

---

Penske Commercial Vehicles

Wacol, Queensland 4076

Phone: + 61 7 3271 7777

**[WESTERNSTAR.COM.AU](http://WESTERNSTAR.COM.AU)**