



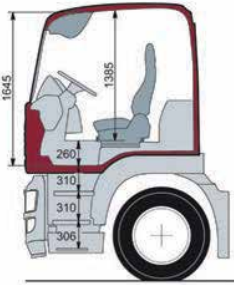
TGS 4x2 Chassis

▶ M, L & LX Cab

ENGINEERED TO SAVE YOU MONEY ▶

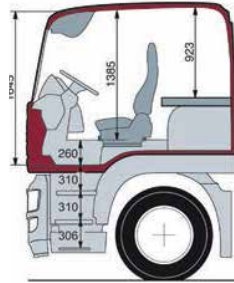


SPECIFICATION DATA

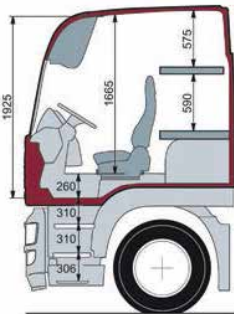
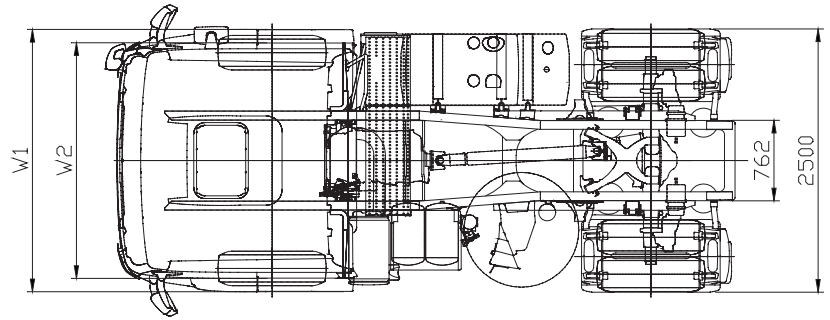


M CAB

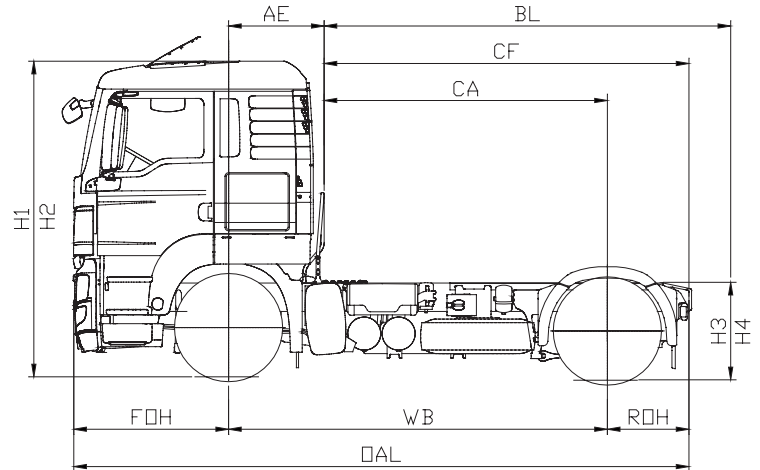
GVM: 18,000 kg GCM: Available on application



L CAB



LX CAB



Wheelbase	M CAB WEIGHTS (KG)			L CAB WEIGHTS (KG)			LX CAB WEIGHTS (KG)			TURNING CIRCLE	
	Front (kg)	Rear (kg)	Total (kg)	Front (kg)	Rear (kg)	Total (kg)	Front (kg)	Rear (kg)	Total (kg)	Kerb to Kerb (m)	Wall to Wall (m)
3600mm	4735	1965	6700	4890	1965	6855	4910	1965	6875	13.2	14.9
5900mm	4755	2450	7125	4910	2450	7280	4930	2370	7300	20.5	22.2

Wheelbase	M CAB CHASSIS DIMENSIONS (MM)							EMPTY	LOADED	EMPTY	LOADED	W1	W2
	FOH	ROH	OAL	CA	CF	AE	BL	H1	H2	H3	H4		
3600mm	1475	800	5875	3030	3830	570	-	3080	3021	972	942	2490	2240
5900mm	1475	3400	10775	5330	8810	570	8870	3097	3025	987	957	2490	2240

Wheelbase	L CAB CHASSIS DIMENSIONS (MM)							EMPTY	LOADED	EMPTY	LOADED	W1	W2
	FOH	ROH	OAL	CA	CF	AE	BL	H1	H2	H3	H4		
3600mm	1475	800	5875	2715	3515	885	-	3080	3021	972	942	2490	2240
5500mm	1475	3400	10175	4615	7815	885	7915	3097	3025	987	957	2490	2240

Wheelbase	LX CAB CHASSIS DIMENSIONS (MM)							EMPTY	LOADED	EMPTY	LOADED	W1	W2
	FOH	ROH	OAL	CA	CF	AE	BL	H1	H2	H3	H4		
3600mm	1475	800	5875	2715	3515	885	-	3378	3319	972	942	2490	2240
5900mm	1475	3400	10775	5015	8415	885	8555	3395	3323	987	957	2490	2240

Note: Other wheelbases are available to order.

ENGINE SPECIFICATIONS				TRANSMISSION SPECIFICATIONS		
Engine HP	Model	Power Rating	Torque	Model	Transmission Ratios	Standard Differential Ratio
440HP	MAN D20 10.5 Ltrs	324kW @ 1600 - 1900rpm	2100Nm @ 1000 - 1400 rpm	ZF 12 AS 2130 DD	15.86 - 1.00	3.08
400HP	MAN D20 10.5 Ltrs	294kW @ 1600 - 1900rpm	1900Nm @ 1000 - 1400 rpm	ZF 12 AS 2130 DD	15.86 - 1.00	3.08
360HP	MAN D20 10.5 Ltrs	265kW @ 1600 - 1900rpm	1800Nm @ 1000 - 1400 rpm	ZF 12 AS 2130 DD	15.86 - 1.00	3.08

- All above weights and dimensions are subject to confirmation and may vary depending on final specification. Manufacturing weight tolerance +/- 3%.
- State and Federal regulations over ride information supplied on this brochure.
- Vehicle images in this specification sheet are for illustration purposes only.
- Maximum body length is calculated using a rear overhang of 60% of the wheelbase to a maximum of 3.7m.
- Tare weight includes 100 litres of fuel, spare wheel and steel wheels.
- Specifications are subject to change without notice. Copyright © 2014, MAN Automotive Imports Pty Ltd.

MAN Automotive Imports Pty Ltd
 72 Formation Street, Wacol, QLD 4076 • PO Box 301, Goodna QLD 4300
 T: (07) 3271 7777 • www.man.com.au

