



Rediscover the joy of driving



# Haval Jolion

GO WITH MORE

# Haval Jolion. Rediscover the joy of driving.

<b>Contents</b>	<b>Page 1</b>
<b>Introduction</b>	<b>Page 2</b>
<b>Design</b>	<b>Page 6</b>
<b>Performance</b>	<b>Page 8</b>
<b>Technology</b>	<b>Page 14</b>
<b>Safety</b>	<b>Page 18</b>
<b>Hybrid</b>	<b>Page 22</b>
<b>Colour</b>	<b>Page 24</b>
<b>Dimensions</b>	<b>Page 26</b>
<b>Specifications</b>	<b>Page 28</b>



# Say hello to GWM.

**GWM is a world-renowned vehicle manufacturer capable of designing and producing SUVs, utes and powertrains simultaneously. At GWM, everything we do is grounded in our corporate philosophy: ‘improving little by little every day.’** From building world-class research and development systems, which enable continuous innovation, to following the ‘excessive investment’ principle, which drives industry leadership, we relentlessly put our philosophy into practice. With nearly 8 million sales to date, in more than 170 countries (and counting), we are the No. 1 SUV brand in the world’s largest market and have been for the past 9 years. Our brand vision is to pioneer global mobility solutions, which use innovative technology to deliver a more pleasurable driving experience. Through innovation and global collaboration, we continue to improve our vehicles’ reliability, safety, performance, design and technology.

# Haval Jolion. Rediscover the joy of driving.

The Haval Jolion combines advanced technology with quality features to redefine the modern SUV. What you get is a rare combination of performance, sophistication and safety.



It could be the panoramic sunroof\*. The digital heads up display. Or the ergonomic seats. Whichever one it is, you'll fall in love with one – or all – of the design features of this standout SUV.

Signature LED brake-lights



Panoramic sunroof\*



18" alloy wheels\*

**Impressive,  
whichever way  
you look at it.**

\*Ultra and S variants only



*Comfort-Tek Faux Leather Accented Seat Trim*



*Moulded upper dashboard*



*Panoramic sunroof\**

*\*Ultra variant only*



*Rotary gear shift dial*



*10.25 inch Full Colour Touch Screen Infotainment System*



*Microfibre faux leather steering wheel*

# Get what you demand.



Available in petrol or hybrid, the Jolion delivers outstanding fuel economy with 5L/100km\* of fuel consumption. It has all you need and then some for urban living and much more.

\*Hybrid variants only



**The 1.5L engine  
adopts turbocharged  
technology, boosting  
output to 110kW and  
220Nm of torque.**

## Transmission.



The second generation 7-speed Dual Clutch Transmission improves throttle response timing and increases efficiency to provide crisp gear shifts and a more direct drive feel.

## Engine.



The 1.5L engine adopts turbocharged technology, boosting output to 110kW and 220Nm of torque.

## Platform.



A lighter platform lowers vehicle fuel consumption and in combination with multi-wheel chassis tuning, driving comfort has never been better.



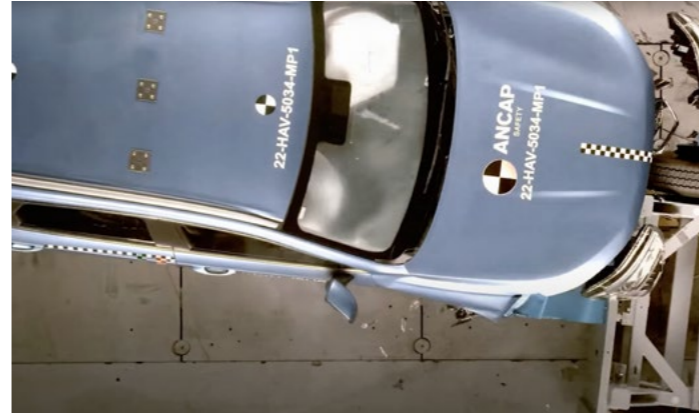
# A high-tech SUV, designed for you.

This smart SUV is designed by innovative thinkers and brought to life by high-performing technology. Packed with convenient features like a large format multimedia touchscreen, Apple CarPlay®, Android Auto™ and wireless charging\* – you can understand why this is a smarter way to drive.

\*Ultra and S variants only



# Smart safety.



ANCAP Safety test



ANCAP Safety test

The Haval Jolion is built with features designed to keep you safe, no matter how long your journey is. If you're ducking out the shops, the 360-view camera will help you park in the tightest of spots. On the other hand, with safety technologies like Intelligent Adaptive Cruise Control, Lane Keep Assist, Traffic Sign Recognition and Traffic Jam Assist you can rest assured knowing that GWM is looking out for you and everyone else around you every time you drive.

\*Hybrid variants currently not ANCAP rated

High Strength Steel Body

# Protection from all angles.



The smart active and passive safety technologies found inside the Haval Jolion including Auto Emergency Braking, Rear Cross Traffic Assist, Lane Departure Warning and Blind Spot Detection will help you know who or what's in front, behind and either side of you every time you take the vehicle out for a drive.



The Jolion Hybrid range is equipped with the same wide variety of premium interior, connectivity and safety features as the Jolion Petrol variants but sets itself apart with a new front grille, new front LED and fog lights with blue accents, a new front bumper and new rear spoiler.

Plus, GWM's Dedicated Hybrid Technology (DHT) is at the core of the entire electrification roadmap. Each highly integrated, multi-mode petrol-electric hybrid engine comes with a powerful Lithium-Ion battery providing greater performance, increased efficiency and minimal noise. Perfect for urban driving and interstate long distance cruising, the multi-mode hybrid transmission delivers incredibly smooth, responsive take-offs and superior acceleration when you need it, all the while saving on fuel.



# Driven by a new energy.

# GWM Care

GWM Care Every GWM comes with GWM Care. It begins from the moment you take delivery of your vehicle and continues long into the future. Wherever the road leads, you can rest assured knowing that your GWM will be kept at its best for many years to come.

**8** Year Unlimited  
KM Battery Pack  
Warranty

**7** Year  
Unlimited KM  
Warranty

**5** Year  
Roadside  
Assist

**5** Year  
Capped Price  
Servicing





GWM vehicles are available in a range of stunning contemporary colours.



*Standard Colour*



**Hamilton White**

*Premium Colour (+\$495)*

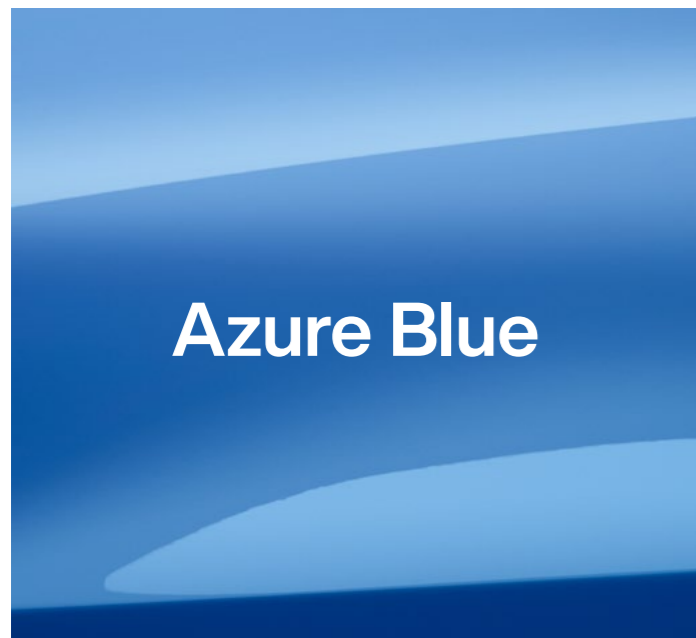


**Golden Black**

*Premium Colour (+\$495)*



**Mars Red**



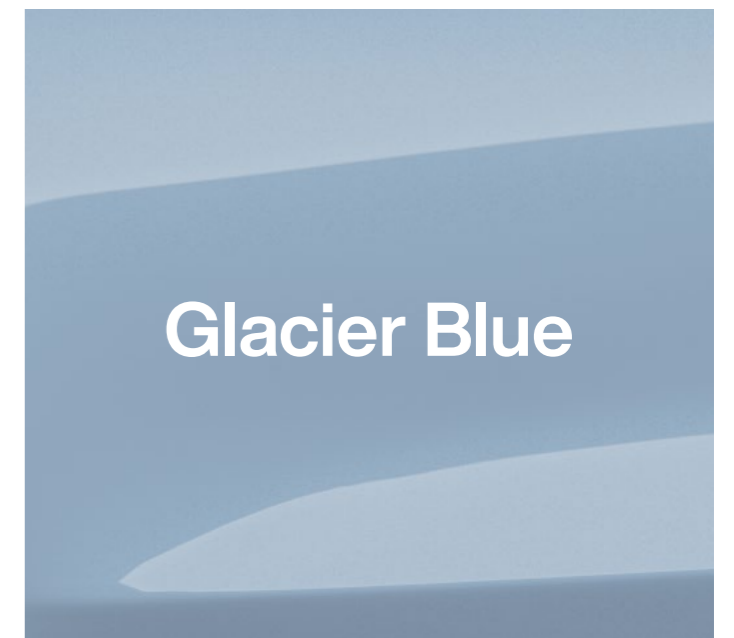
**Azure Blue**



**Smoke Grey**



**Vivid Green**



**Glacier Blue**

*Premium Colour (+\$495)*

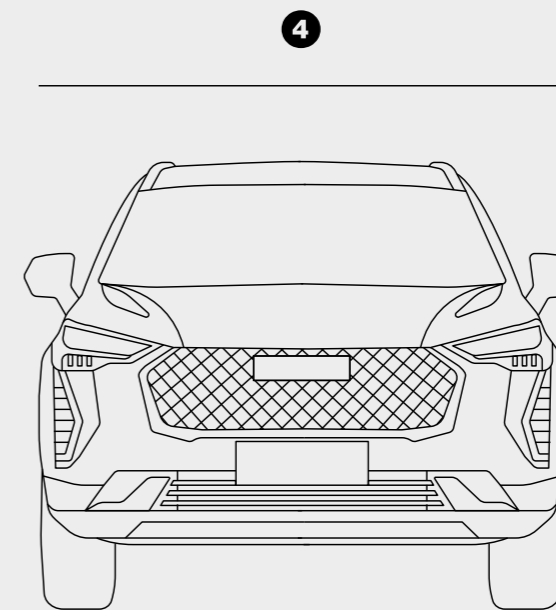
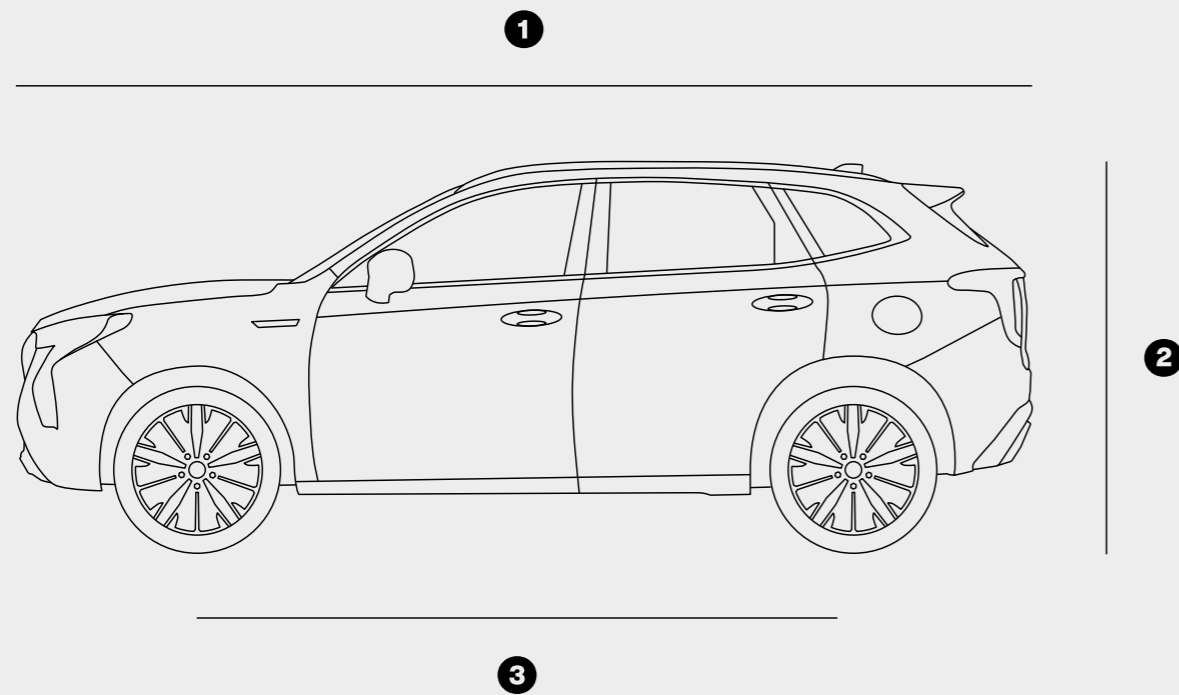
*Premium Colour (+\$495)*

*Premium Colour (+\$495)  
Not available on Hybrid and S*

*Premium Colour (+\$495)  
Available on Hybrid only*

# Colour.

- ① Length: 4472mm
- ② Height: 1574mm
- ③ Wheelbase: 2700mm
- ④ Width: 1841mm



# Dimensions.

		Premium Petrol	Lux Petrol	Lux Hybrid	Ultra Petrol	Ultra Hybrid	S
<b>Dimensions</b>	Length/Width/Height (mm)	4472 x 1841 x 1574	4472 x 1841 x 1574	4472 x 1841 x 1574	4472 x 1841 x 1574	4472 x 1841 x 1574	4472 x 1841 x 1574
	Wheelbase (mm)	2700	2700	2700	2700	2700	2700
<b>Engine</b>	1.5T Petrol	●	●		●		● Direct Injection
	1.5L Hybrid			●		●	
	Displacement (cm <sup>3</sup> )	1497	1497	1497	1497	1497	1499
	Max power (kW@rpm)	110 @ 5600-6000	110 @ 5600-6000	Combined 139kW; Electric motor 110kW; Petrol engine 70kw	110 @ 5600-6000	Combined 139kW; Electric motor 110kW; Petrol engine 70kw	130 @ 5500-6000
	Max torque (Nm@rpm)	220 @ 2000 - 4400	220 @ 2000 - 4400	Combined 375Nm; Electric motor 250Nm; Petrol engine 125Nm;	220 @ 2000 - 4400	Combined 375Nm; Electric motor 250Nm; Petrol engine 125Nm	270 @ 1500 - 4000
	Bore x stroke (mm)	75x84.7	75x84.7	75x84.7	75x84.7	75x84.7	75x84.9
	Compression ratio	9.3:1	9.3:1	13:1	9.3:1	13:1	11:1
	Fuel economy (L/100km) combined	8.1	8.1	5.0	8.1	5.0	7.5
	Recommended fuel octane rating	91	91	91	91	91	91
<b>Transmission</b>	7-Speed Dual Clutch Transmission	●	●		●		●
	Dedicated Hybrid Transmission (DHT)			●		●	
	Driveline	2WD	2WD	2WD	2WD	2WD	2WD
	Gear ratios	1st 3.688:1, 2nd 2.684:1, 3rd 1.679:1, 4th 1.022:1, 5th 0.830:1, 6th 0.804:1, 7th 0.642:1, Reverse 3.596:1	1st 3.688:1, 2nd 2.684:1, 3rd 1.679:1, 4th 1.022:1, 5th 0.830:1, 6th 0.804:1, 7th 0.642:1, Reverse 3.596:1	1(ICE) 1.239:1, 2(ICE) 0.877:1, 3(EV) 2.950:1	1st 3.688:1, 2nd 2.684:1, 3rd 1.679:1, 4th 1.022:1, 5th 0.830:1, 6th 0.804:1, 7th 0.642:1, Reverse 3.596:1	1(ICE) 1.239:1, 2(ICE) 0.877:1, 3(EV) 2.950:1	1st 3.688:1, 2nd 2.684:1, 3rd 1.679:1, 4th 1.022:1, 5th 0.830:1, 6th 0.804:1, 7th 0.642:1, Reverse 3.598:1
<b>Wheels</b>	Size	17" Alloy Wheel Chrome	17" Alloy Wheel Chrome	17" Alloy Wheel Chrome	18" Alloy Wheel Chrome	18" Alloy Wheel Chrome	18" Alloy Wheel Black
	Spare wheel	Spare Tyre T135/90R17	Spare Tyre T135/90R17		Spare Tyre T135/90R17		Spare Tyre T135/90R17
<b>Brakes</b>	Front and rear	Front: Ventilated disc brake with floating caliper / Rear: Disc brake with floating caliper					
	Electronic park brake with brake hold	●	●	●	●	●	●
<b>Steering</b>	Steering type and system	Electric / Rack & Pinion					
	Turning circle – kerb to kerb (m)	11.5	11.5	11.5	11.5	11.5	11.5
<b>Suspension</b>	Suspension	Front: Macpherson / Rear: Torsion Beam					Front: Macpherson Rear: Multi link
<b>Weights and capacities</b>	Towing capacity <sup>3</sup> – with trailer brakes	1,500	1,500	1,300	1,500	1,300	1,500
	Towing capacity <sup>3</sup> – without trailer brakes	710	710	750	710	750	750
	Kerb weight <sup>1</sup> (kg)	1,370	1,370	1,530	1,431	1,530	1,495
	Gross Vehicle Mass <sup>1</sup> (kg)	2,075	2,075	1,940	2,075	1,940	1,905
	Seating capacity	5	5	5	5	5	5
	Luggage capacity (L) Minimum	430	430	390	430	390	430
	Luggage capacity (L) Maximum	1133	1133	1069	1133	1069	1133
	Fuel tank capacity (L)	55	55	55	55	55	55

# Specifications.

		Premium Petrol	Lux Petrol	Lux Hybrid	Ultra Petrol	Ultra Hybrid	S
<b>Chassis &amp; Steering</b>	Driving Modes - 2WD (Normal/Eco/Sport/Snow)	●	●	●	●	●	●
	Adjustable Steering Mode (Sports/Comfort/Light)	●	●	●	●	●	●
<b>Exterior</b>	Automatic Windscreen Wipers	●	●	●	●	●	●
	Rear Windscreen Wiper	●	●	●	●	●	●
	Roof Rails	●	●	●	●	●	●
	Panoramic Sunroof	●	●	●	●	●	●
	Shark Fin Aerial	●	●	●	●	●	●
<b>Interior</b>	Multi - Function Steering Wheel	●	●	●	●	●	●
	PU Steering Wheel	●					
	Microfibre Faux Leather Steering Wheel		●	●	●	●	●
	Paddle Shifter	●	●		●		●
	2 - Way Manually Adjustable Steering Wheel	●	●	●	●	●	●
	Sun-Visor with Vanity Mirror	●					
	Sun-Visor with Vanity Mirror and Light		●	●	●	●	●
	Wireless Charging				●	●	●
	Front 12V Power Outlet	●	●	●	●	●	●
	Luggage Cover		●	●	●	●	●
<b>Seats</b>	Cloth Seat Trim	●					
	Comfort-Tek Faux Leather Accented Seat Trim		●	●	●	●	●
	6 - Way Manual Adjustable Driver Seat	●					
	6 - Way Electric Adjustable Driver Seat		●	●	●	●	●
	4 - Way Manual Adjustable Front Passenger Seat	●	●	●	●	●	●
	Heated Front Seats		●	●	●	●	●
	Rear Seats 60/40 Split	●	●	●	●	●	●
<b>Entertainment</b>	3.5 inch Full Colour Instrument Cluster	●					
	7 inch Full Colour Instrument Cluster		●	●	●	●	●
	Radio FM / AM	●	●	●	●	●	●
	Bluetooth® Hands Free Link System	●	●	●	●	●	●
	10.25 inch Full Colour Touch Screen Infotainment System	●	●	●			
	12.3 inch Full Colour Touch Screen Infotainment System				●	●	●
	Front USB with Charge & Data Transmission	●	●	●	●	●	●
	Rear USB with Charge	●	●	●	●	●	●
	4 Speakers	●					
	6 Speakers		●	●	●	●	●
	Apple Carplay™	●	●	●	●	●	●
	Android Auto™	●	●	●	●	●	●
W-HUD(Head Up Display)				●	●	●	

		Premium Petrol	Lux Petrol	Lux Hybrid	Ultra Petrol	Ultra Hybrid	S
<b>Security</b>	1x Smart Key	●	●	●	●	●	●
	1x Standard Key	●	●	●	●	●	●
	Keyless Entry System	●	●	●	●	●	●
	Push Button Start	●	●	●	●	●	●
	Anti-theft Immobiliser	●	●	●	●	●	●
	Burglar alarm	●	●	●	●	●	●
	Speed Sensing Central Locking	●	●	●	●	●	●
	Door Ajar Warning	●	●	●	●	●	●
<b>Glass</b>	Green Glass	●					
	Rear Privacy Glass		●	●	●	●	●
	Anti-Glare Rear View Mirror - Manual	●					
	Anti-Glare Rear View Mirror - Automatic		●	●	●	●	●
	Driver Window + One Touch Up & Down + Anti-Pinch	●	●	●			
	Four Window + One Touch Up & Down + Anti-Pinch				●	●	●
	Key Fob Window Close Function				●	●	●
	Door Mirrors Heated		●	●	●	●	●
	Power Adjustable Door Mirrors + Manual Folding + Indicator	●					
	Power Adjustable Door Mirrors + Electric Folding + Indicator		●	●	●	●	●
	Auto-Folding Door Mirror		●	●	●	●	●
<b>Safety</b>	Dual SRS Airbags	●	●	●	●	●	●
	Front Side Airbags	●	●	●	●	●	●
	Centre Airbag	●	●	●	●	●	●
	Curtain Airbags	●	●	●	●	●	●
	Front Seatbelts with Pre-Tensioner (Two sides)	●	●	●	●	●	●
	Seatbelts with Pre-Tensioner (Rear Seats)	●	●	●	●	●	●
	Child Safety Lock	●	●	●	●	●	●
	ESC (Electronic Stability control)	●	●	●	●	●	●
	TCS (Traction Control System)	●	●	●	●	●	●
	SCM (Secondary Collision Mitigation)	●	●	●	●	●	●
	RMI (Roll Movement Intervention)	●	●	●	●	●	●
	BA (Brake Assist)	●	●	●	●	●	●
	HDC (Hill Descent Control)	●	●	●	●	●	●

# Specifications.

		Premium Petrol	Lux Petrol	Lux Hybrid	Ultra Petrol	Ultra Hybrid	S
<b>Safety (Continued)</b>	HHC (Hill-Start Assist Control)	●	●	●	●	●	●
	BOS (Brake Override System)	●	●	●	●	●	●
	TPMS (Tyre Pressure Management System)	●	●	●	●	●	●
	DVR USB Port	●	●	●	●	●	●
	Rear Parking Assist	●	●	●	●	●	●
	RVC (Rear View Camera)	●					
	360 Degree Monitoring System		●	●	●	●	●
	ACC (Adaptive Cruise Control) with Stop and Go	●	●	●	●	●	●
	IACC (Intelligent Adaptive Cruise Control)	●	●	●	●	●	●
	Intelligent Cornering Control	●	●	●	●	●	●
	Intelligent Dodge	●	●	●	●	●	●
	ELK (Emergency Lane Keep)	●	●	●	●	●	●
	RCTA (Rear Crossing Traffic Alert)	●	●	●	●	●	●
	RCTB (Rear Crossing Traffic Braking)	●	●	●	●	●	●
	FCW (Forward Collision Warning)	●	●	●	●	●	●
	LDW (Lane Departure Warning)	●	●	●	●	●	●
	LKA (Lane Keeping Assist)	●	●	●	●	●	●
	LCK (Lane Centre Keeping)	●	●	●	●	●	●
	AEB (Automatic Emergency Braking) Pedestrian, Cyclist & Crossing	●	●	●	●	●	●
	TSR (Traffic Sign Recognition)	●	●	●	●	●	●
	Blind Spot Detection + Lane Change Assist	●	●	●	●	●	●
	RCW (Rear Collision Warning)	●	●	●	●	●	●
	DOW (Door Open Warning)	●	●	●	●	●	●
	TJA (Traffic Jam Assist)	●	●	●	●	●	●
	Driver Drowsiness Detection (Camera Based)	●	●	●	●	●	●
	ISOFIX	●	●	●	●	●	●
	<b>Lighting</b>	Halogen Headlights	●				
LED Headlights			●	●	●	●	●
Follow Me Home Function		●	●	●	●	●	●
Rear Fog Lights		●	●	●	●	●	●
DRL (Daytime Running Lights)		●	●	● Sequential light	●	● Sequential light	●
<b>Air Conditioning</b>	Single-Zone Manual Air Conditioning	●					
	Dual-Zone Automatic Air Conditioning		●	●	●	●	●
	Air Outlet to Second Row	●	●	●	●	●	●
	Automatic Windshield Defogger		●	●	●	●	●





**For more information visit [gwmanz.com/au](http://gwmanz.com/au)**

GWM Australia reserve the right to alter vehicle specifications and equipment levels without notice. Some equipment featured on vehicles in this brochure may not be available or may be optional. To the extent permitted by law, GWM Australia shall not be liable to any person as a result of reliance on the content of the brochure. Always check with your local GWM Dealer for the latest product specifications.

Information in this brochure is current as at 10/05/2023.

Edition Code: GWMA 10-05-2023.

Copyright © GWMA. All rights reserved.