

NEW DAILY E6 MOTORHOME

**CHANGE
HOLIDAY
PERSPECTIVE** YOUR



IVECO

Your partner for sustainable transport

INTRODUCING THE **DAILY E6 MOTORHOME**

The IVECO Daily E6 is the perfect match for your new motorhome – the Daily E6 range is equipped with all the features and benefits that will reliably take you around the country and make your time on the road enjoyable and stress-free. Many of the Daily E6 features are market-leading including the availability of an 8-Speed full automatic transmission and powerful, yet fuel efficient, Euro 6 engines of up to 210 horsepower and 470 Nm of torque.

Safety is also well catered for with the provision of four SRS airbags, front and rear disc brakes with ABS and ESP9 stability control, IVECO's advanced safety package. The latest E6 model range also adds Advanced Emergency Braking System (AEBS), Adaptive Cruise Control (ACC) and Crosswind Assist as standard. With its solid C-section chassis, the Daily E6 also combines the added strength of a truck but with the comfort levels and ergonomic performance of a high-end passenger car – it's the perfect combination, providing the best of both worlds.





IVECO

DAILY

© Iveco Group. Executive model shown above.

THE PERFECT HOLIDAY HOME FOR GOING PLACES

The Daily E6 Motorhome is your dream holiday home, building on the model's 40-year history of continuously pushing the boundaries to provide a premium cabin feel, while constantly setting the standard for safety and comfort. A light vehicle, the Daily E6 Motorhome is easy to handle and a pleasure to drive. It embraces technology and features new innovations such as an electronic park brake, making life on the road more comfortable and convenient. True to its heritage, the Daily E6 Motorhome will raise your living and driving experience to new heights and greater destinations.



DAILY E6 MOTORHOME

LEAD THE WAY



The IVECO Daily E6 Cab Chassis is the ideal platform on which to build a motorhome body: that's why it's the cab chassis of choice for some of Australia's leading motorhome manufacturers.

DAILY E6 MOTORHOME COMFORT

Inside a Daily E6, you'll experience sumptuous seating, outstanding visibility, a newly designed soft-touch steering wheel and innovative storage areas. The Daily E6 also provides a quieter driving environment through the adoption of new, noise suppression materials and redesigned side mirrors which allow for smoother airflow. And with its independent front suspension, and a choice of either rear leaf spring or optional electronically-controlled air suspension and rear-wheel-drive traction, the Daily E6 is well equipped to provide a smooth and comfortable drive even over rougher roads.



Heated and suspended fully adjustable driver's seat



Optional automatic controlled air conditioning



Optional inductive phone charging



Redesigned instrument cluster and new optional Hi-Connect multimedia and navigation system

DRIVES LIKE A CAR

With its car-like driving position, ergonomically-designed cabin and luxury appointments, the Daily E6 feels and drives like a high-end passenger vehicle.



DAILY E6 MOTORHOME PERFORMANCE

Available with advanced 3.0 litre turbo diesel engines with the choice of two power ratings, a 180 hp and 430 Nm unit or market-leading 210 hp and 470 Nm variant, the Daily E6 has the power and torque to make your motorhome feel safe and responsive on the road. As well as being high output engines, they are also strong environmental performers, meeting the stringent Euro 6 emission requirement through the use of an SCR (Selective Catalytic Reduction) system that uses urea solutions such as AdBlue to minimise NOx (Nitrogen Oxide) emissions. IVECO's Daily E6 engine range is also highly regarded for its low fuel usage, which, when coupled with 50,000 km oil change intervals, results in impressive low cost of ownership benefits.



RESPONSIVE FULL AUTOMATIC TRANSMISSION

Helping to providing a smooth and responsive driving experience is IVECO's market-leading 8-speed full automatic transmission. This gearbox provides seamless power delivery, ultra fast gear changes (200 milliseconds) and a wide ratio spread ensuring the engine is always running at its optimum. The versatile Hi-Matic also allows the driver to select a gear manually via the multifunctional shift lever if they wish to. For further control, the driver can also select 'Eco' mode which changes gears earlier at lower rpm, reduces engine torque and provides more linear horsepower delivery, helping to minimise fuel use, or engage the 'Power' mode which holds the Daily E6 in gear for longer providing additional power when needed, such as when overtaking or climbing very steep hills. A conventional 6-speed manual transmission is also available for owners who prefer to self-shift.

ADVANCED SAFETY FEATURES

Building on the safety credentials of the previous model, which featured front and rear disc brakes with ABS, Electronic Stability Program (ESP9), four airbags and the availability of Lane Departure Warning, the new Daily E6 offers even more. As standard, the new range features Advanced Emergency Braking System (AEBS), Adaptive Cruise Control (ACC), Crosswind Assist and enhanced 'ESP9' (suite of stability control technologies). ESP9 includes Anti-Lock Brakes, Electronic Brakeforce Distribution, Electronic Stability Program, Anti-Slip Regulator, Drag Torque Control, Hill Hold Control, Enhanced Under-Steering Control, Adaptive Load Control, Trailer Sway Mitigation, Hydraulic Rear-wheel Boost, Hydraulic Fading Compensation, Roll Movement Intervention and Roll Over Mitigation. Other active safety features, including Lane Departure Warning System (LDWS), full LED headlamps, Hill Descent Control, City Brake, Queue Assist and Traction Plus, are available as either stand-alone options or as part of "Hi-Technology Pack" option upgrades.



Market-leading 8-speed automatic transmission



Electronic parking brake

Optional tyre pressure monitoring system



City Brake

Queue Assist

Optional Lane Departure Warning

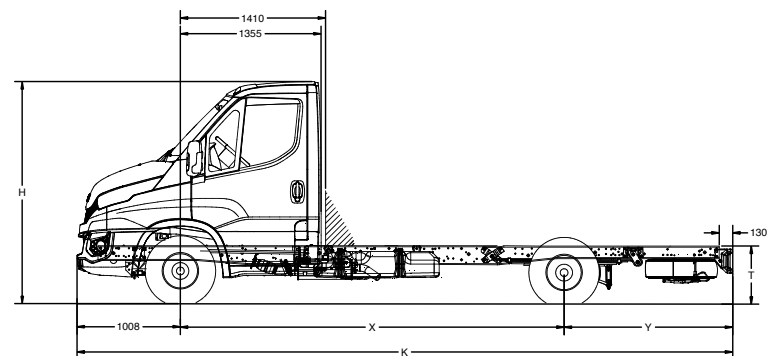
DIMENSIONS & WEIGHTS

	35S	45C	50C	50C	70C	70C
Wheelbase (mm)	4100	4350	4350	4750	4750	5100
Overall length (mm)	6563	7413	7373	8278	8238	8278
Overall height unladen (mm)	2220	2270	2263	2252	2335	2295
Front track (mm)	1740	1724	1724	1724	1725	1725
Rear track (mm)	1704	1542	1542	1542	1660	1660
Unladen frame height ant end of frame (mm)	693	761	820	820	930	930
Front ground clearance (mm)	170	196	196	165	171	165
Rear ground clearance (mm)	168	177	177	169	165	169
Rear overhang (mm)	1415	1485	2015	2480	2480	2130
Turning circle: kerb to kerb (mm)	13800	12526	15348	16604	16078	17162
Turning circle: wall to wall (mm)	14466	13146	15976	17234	16734	17790

Body Dimensions (mm)						
Maximum body width (mm)	2500	2500	2500	2500	2500	2500

Mass (kg)						
GCM/GCM (kg)	3800/ 7000	4495/ 7995	4495/ 5200 Option: 5200/ 8700	4495/ 7995 Option: 5200/ 8700	7000/ 10500	7200/ 10500
Front axle capacity (kg)	1900	2100	2100	2100	2500	2500
Rear axle capacity (kg)	2430	3400	3700	3700	5350	5350
Kerb mass front axle (kg)	1389	1433	1478	1488	1569	1563
Kerb mass rear axle (kg)	447	683	690	702	944	962
Kerb mass total (kg)	1836	2121	2168	2190	2513	2525
Payload capacity (kg)	1664	2479	2327	2305	4687	4675

Kerb masses are with minimal fuel, spare wheel, tools and no driver.



ENGINE

Type: I80EVID FIC IVECO FIC (EURO 6) 4 stroke diesel with direct-injection, Variable Geometry Turbocharger (VGT) and intercooler

Maximum Output: 132 Kw (180 hp) @ 3500 rpm

Maximum Torque: 430 Nm @ 1500rpm

Total Displacement: FIC 3.0 litre

Emissions Technology: Exhaust Gas Recirculation system and Selective Catalytic Reduction

Exhaust: Muffler horizontally positioned on the right side and tailpipe located mid-way down right side of vehicle

Optional Engine: 210EVID FIC (EURO 6) 4 stroke diesel with direct-injection, with Electronically-controlled variable geometry turbine (e-VGT)

Maximum Output: 210 hp @ 3500 rpm

Maximum Torque: 470 Nm @ 1500rpm

Exhaust Emission System: Exhaust Gas Recirculation system and Selective Catalytic Reduction

TRANSMISSION

- 8-speed ZF Torque Converter Automatic (Hi-Matic)

Type: 8HP70L – 1st 4.696, 2nd 3.130, 3rd 2.104, 4th 1.667, 5th 1.285, 6th 1.000, 7th 0.839 OD, 8th 0.667 DOD, Rev. 3.297

STEERING

Type: Hydraulic power steering

Diameter: 380mm steering wheel with telescopic adjustment

FRONT AXLE & SUSPENSION

Capacity: 2100 kg (45C18), 2100 kg (50C18), 2500 kg (70C18)

Suspension Type: Independent with adjustable steel torsion bar

DIMENSIONS & WEIGHTS

REAR AXLE & SUSPENSION

Capacity: 3400 kg (45C18), 3700 kg (50C18), 5350 kg (70C18)

Suspension Type:

Single reinforcement leaf springs, rubber rebound bump stops, anti roll bar and shock absorbers (45C18)

Multi leaf springs, rubber rebound bump stops, anti roll bar and double acting telescopic shock absorbers (50C18)

Single reinforcement leaf springs, rubber rebound bump stops, anti roll bar and shock absorbers (70C18)

Optional Suspension: Electronically controlled air suspension on all models (GVM affected with option)

Rear Axle Ratio: 3.6:1 (45C and 50C with 180hp or 210hp and with automatic transmission), 3.9:1 with manual transmission; 4.3:1 (70C)

BRAKES

Type: ESP9 - Electronic Stability Programme (includes ASR - Anti Slip Regulator or Traction Control, HBA - Hydraulic Brake Assist, Hill Holder, LAC - Adaptive Load Control, TSM - Trailer Sway Mitigation, Cross Wind Assist, HRB - Hydraulic Rear Wheel Boost, HFC - Hydraulic Fading Compensation, RMI & ROM - Roll Movement Intervention & Roll Over Mitigation), Advanced Emergency Braking System (AEBS), Optional Lane Departure Warning (LDWS)

Front / Diameter: Ventilated disc brakes / 290 mm (45C18 / 50C18 models)

Rear / Diameter: Disc brakes / 290 mm (45C18 / 50C18 models)

Front / Diameter: Ventilated disc brakes / 301 mm (70C18 model)

Rear / Diameter: Disc brakes / 306 mm (70C18 model)

Parking Brake: Electric park brake operating on rear axle

Service Brakes: Dual circuit with vacuum servo

- Pad wear warning light for front and rear brakes

FUEL SYSTEM

- 100 litres with fuel cap location on passenger side
- 20 litre Adblue

ELECTRICAL SYSTEM

Type: 12 Volt

Battery: 12 Volt–110 Ah

- Trailer wiring to rear of chassis

CHASSIS

Type: C Section steel longitudinal side members with tapered ends and tubular cross members

WHEELS & TYRES

Wheels: Steel 5J x R16 (45C18 / 50C18 models)

Tyre Size: 195/75 R16 (45C18 / 50C18 models)

Wheels: Steel 6J x R16 (70C18 model)

Tyre Size: 225/75 R16 (70C18 model)

CABIN FEATURES

- Suspended, heated and fully adjustable driver & passenger seats or Single fixed driver & passenger seats
- Adaptive Cruise control
- Electric windows
- Exterior mirror with integrated wide angle and direction indicators, heated and electronically adjustable
- Automatic electronic park brake
- Overhead console with storage shelf and space for additional equipment
- Document storage compartment and large dual storage pockets in doors
- Body builder connections
- Additional in-dash storage
- Automatic climate control (optional)
- Eco mode

DASHBOARD

- 3.5" TFT display and silver dial rings
- Fuel level indicator with reserve light indicator
- Coolant temperature indicator with high temperature indicator light
- Instrument light dimmer switch
- USB charge points
- Dash-mounted gear lever
- Inductive phone charging (if 'Hi-Business Pack' selected)
- 3 storage areas on top of dash
- TFT Display Panel includes: digital speedometer, ADAS (Advanced Driver-Assistance Systems) dashboard, ADAS quick menu, TPMS (if option is specified), oil, battery and service information. Navigation and phone multimedia, fuel economy, trip computer, vehicle settings, display settings and diagnostics
- Bluetooth system/CD player (with CAN security)

SECURITY

- Central locking with remote control
- Steering lock
- Engine immobiliser

SERVICE, WARRANTY & MAINTENANCE

Daily E6 is backed by a standard comprehensive 3 year/200,000 kilometre warranty with additional extended warranty options of up to 5 years/300,000 kilometres available at extra cost.

IVECO MAINTENANCE AGREEMENTS

To aid budgetary control of vehicle maintenance, IVECO offers a range of tailored service packages designed to maximise vehicle uptime by providing owners with total flexibility to develop a maintenance regime to best suit their needs. For a fixed monthly fee, owners can be assured their vehicle servicing is taken care of without the stress of needing to find additional funds at the time of servicing. In the unlikely event of a break-down, IVECO's Customer Care Centre can be contacted on 1800 4 IVECO (1800 448 326). The Customer Care Centre will place you in contact with the nearest IVECO Dealer should assistance be required.

CONVENIENT FINANCE WITH CNH INDUSTRIAL CAPITAL

IVECO offers a range of attractive and convenient financing solutions through its in-house financier, CNH Industrial Capital. This financier exclusively provides finance for the CNH Industrial brands (IVECO, Case IH, CASE Construction, New Holland Agriculture and New Holland Construction).