

# RENAULT MEGANE R.S. TROPHY

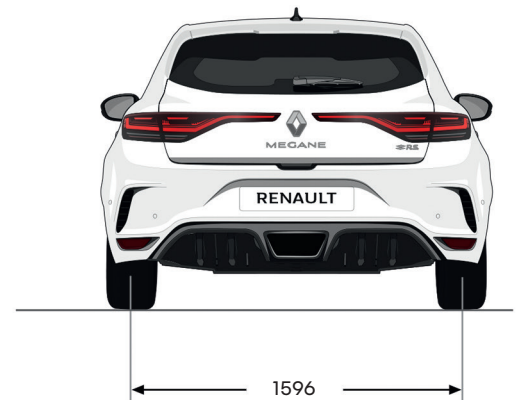
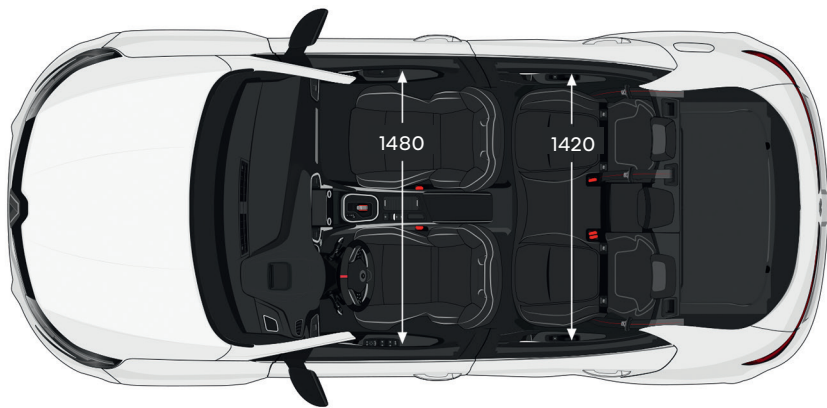
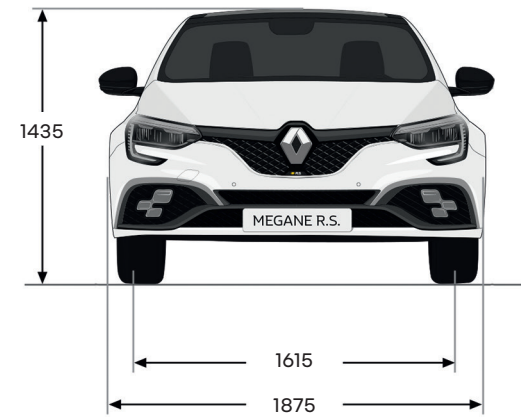
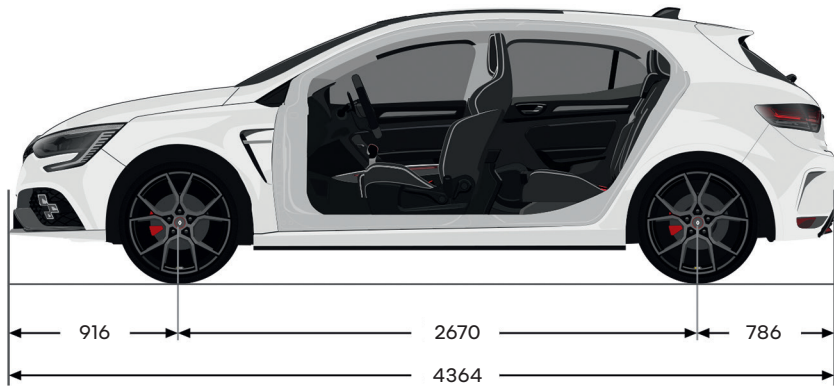


overseas model shown





# dimensions (mm)



**Boot volume (in L)**  
with rear seats in place

434

# equipment and options

	1.8L Petrol Manual	1.8L Petrol EDC Auto
<b>PASSIVE SAFETY</b>		
Driver & front passenger airbags	•	•
Driver & front passenger chest side airbag	•	•
Front & rear curtain airbags	•	•
Height-adjustable front seatbelts	•	•
Seat belt warning light & tone for driver & all passengers	•	•
Front seats with integrated headrests	•	•
3 Height adjustable rear headrests	•	•
ISOFIX child seat fixing points on rear outermost seats	•	•
3 Child seat anchorage points for rear seats	•	•
Child safety lock on rear doors	•	•
Rear window child-lock function (driver door control panel)	•	•
Engine immobiliser	•	•
<b>ACTIVE SAFETY</b>		
Electronic Stability Control (ESC)	•	•
Anti-lock Braking System (ABS)	•	•
Emergency Brake Assist (EBA)	•	•
Electronic Brake-force Distribution (EBD)	•	•
Emergency warning lights activated under heavy braking	•	•
Active Emergency Braking System (AEBS) - low speed	•	•
Forward Collision Warning system (FCW)	•	•
Lane Departure Warning (LDW)	•	•
Safe distance warning	•	•
Cruise control with speed limiter	•	•
Adaptive cruise control	•	•
Rear view camera with moving guidance lines	•	•
Front, rear & side parking sensors	•	•
Hill Start Assist (HSA)	•	•
Tyre pressure monitor	•	•
<b>EXTERIOR LIGHTING</b>		
Pure Vision LED headlights	•	•
R.S. Vision - multi-functional LED front lights	•	•
C-Shaped LED front daytime running lights	•	•
Rear fog lights	•	•
LED reversing lights	•	•
Sweeping rear turn signal	•	•
LED mirror indicator lights	•	•
<b>DRIVING ENGAGEMENT</b>		
Renault Sport Cup chassis, suspension & 4 hydraulic compression stops	•	•
Mechanical Torsen © limited slip differential	•	•
Red Brembo® brake calipers	•	•
Bi-material high performance brakes	•	•
Active valve exhaust system	•	•
R.S. Drive modes	•	•
Steering column mounted paddle shifts	-	•
Multi-downshift - advanced gear change down system	-	•
Launch control	-	•

# equipment and options

	1.8L Petrol Manual	1.8L Petrol EDC Auto
4CONTROL - four wheel steering system	●	●
Recaro® front seats	*	*
<b>CONNECTIVITY &amp; MULTIMEDIA</b>		
AM/FM/DAB Radio	●	●
BOSE® audio system with 9x speakers, subwoofer and digital amplifier	●	●
Bluetooth® phone pairing with audio streaming^	●	●
Wireless Apple CarPlay® & Android Auto® smartphone replication^	●	●
2x Front & 2x rear USB ports	●	●
1x AUX port	●	●
12 Volt socket - front	●	●
Portrait 9.3" multimedia touchscreen	●	●
Fully digital 10.25" instrument display with personalised design settings	●	●
Satellite navigation	●	●
<b>CONVENIENCE</b>		
Remote central locking	●	●
Auto-door lock when driving	●	●
Hands-free key card	●	●
Engine start button	●	●
Automatic 'walk away' door locking	●	●
Automatic engine stop & start	●	●
Headlights with "see me home" function via key	●	●
Automatic dusk-sensing headlights	●	●
Automatic windscreen wipers with rain sensor	●	●
Manual parking brake	●	-
Electric parking brake with auto-hold function	-	●
Electric adjustable automatic folding door mirrors	●	●
Frameless automatic dimming rear view mirror	●	●
Split folding rear seats 60:40	●	●
One-touch front & rear electric windows with anti-pinch	●	●
Front & rear LED cabin lights	●	●
Boot lighting	●	●
Sun visors with illuminated mirrors	●	●
2 front cup holders	●	●
Front & rear door storage compartments	●	●
Front seat back storage pockets	●	●
Tyre repair kit	●	●
<b>COMFORT</b>		
Front sports seats with integrated headrests	●	●
Height adjustable driver & front passenger seats	●	●
Driver's seat with lumbar adjustment	●	●
Heated front seats	●	●
Alcantara® upholstery	●	●
Sliding central armrest with closed storage & 2 rear air vents	●	●
Height & reach adjustable steering wheel	●	●
Alcantara® & perforated leather steering wheel	●	●
Rear seat central armrest with cupholder	●	●
Dual zone climate control air conditioning with toxicity sensor	●	●

# equipment and options

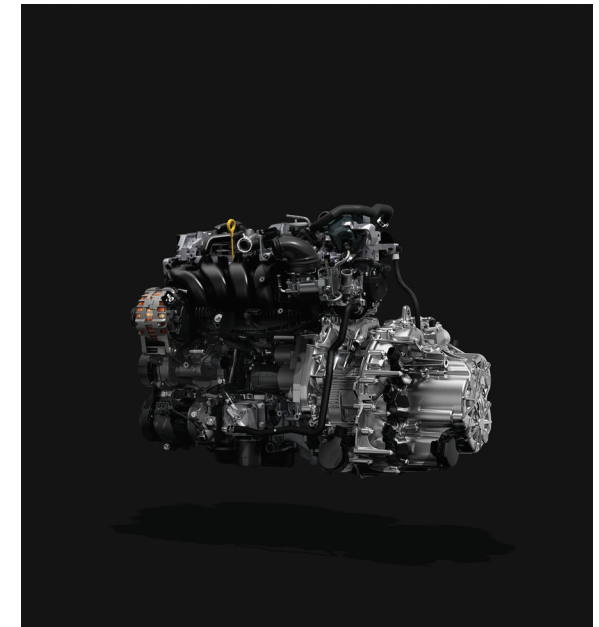
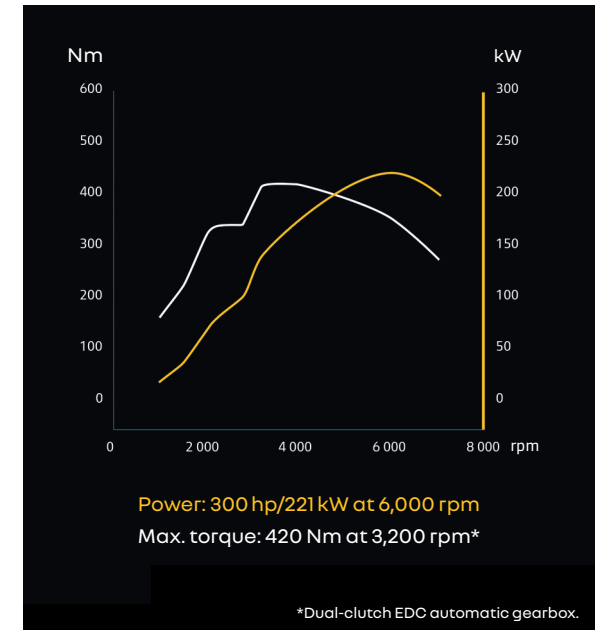
	1.8L Petrol Manual	1.8L Petrol EDC Auto
Multi-sense with 5 driving modes (My Sense, Regular, Save, Sport & Race) & 8 interior ambient lighting options	●	●
Welcome sequence with lighting signature illumination & ground lighting upon approach	●	●
Rear privacy glass	●	●
<b>INTERIOR STYLING</b>		
R.S. embroidered Alcantara® upholstery	●	●
Red & grey contrast stitching on seats, steering wheel, gear stick, central & door armrests	●	●
Carbon-look interior trim	●	●
Steering wheel with R.S. Badge & red 12 o'clock marker	●	●
Front chrome 'Renault Sport' door sill plates	●	●
Alloy sport pedals	●	●
<b>EXTERIOR STYLING</b>		
19" Jerez wheel rims	●	●
19" Fuji lightweight alloy wheel rims	*	*
Tyres	Bridgestone Potenza S001 245/35 R19	
Chrome window trim	●	●
Gloss black honeycomb front grille	●	●
Front aerodynamic air guides	●	●
Renault Sport F1 blade with air intake	●	●
Trophy signature	●	●
Renault Sport signature badge - front & rear	●	●
Single central chrome exhaust	●	●
Rear spoiler	●	●
Black door mirrors	●	●
Shark fin antenna	●	●
<b>OPTIONS &amp; PACKS</b>		
Metallic paint	○	●
Signature Metallic paint	○	●
<b>Performance package:</b> - Recaro® front seats (not compatible with seat heating) - 19" Fuji lightweight alloy wheel rims	○	●

● = Standard; ○ = Option; \* Optional Pack; - = Not available  
 ^ compatibility may vary depending on phone

# engine

	Manual	EDC Auto
<b>Engine &amp; transmission</b>		
Type	1.8L Turbo 300	
Capacity (cc)	1798	
Number of cylinders/valves	4/16	
Bore x stroke (mm)	79.7 x 90.1	
Maximum power (kW @ rpm)	221 @ 6000	
Maximum torque (Nm @ rpm)	400 @ 3200	420 @ 3200
Fuel type (minimum)	Premium Unleaded 98 RON	
Fuel injection type	Direct Turbo	
Transmission type	6-Speed manual	Dual-clutch automatic transmission
Driven wheels	2	
Speeds at 1000 rpm in		
1st gear	9.29	8.64
2nd gear	14.68	13.62
3rd gear	20.61	19.82
4th gear	27.86	27.12
5th gear	35.04	35.23
6th gear	42.41	43.06
Mechanical Torsen® Limited Slip Differential	Std	
<b>Braking</b>		
Front braking system (diameter x thickness)	Ventilated disc - 355 x 28	
Rear braking system (diameter x thickness)	Regular disc - 290x11	
<b>Performance</b>		
0-100 km/h (seconds)	5.7	
<b>Fuel consumption<sup>^</sup></b>		
Emission standards	Euro 5	
Combined cycle (L/100km)	8.3	8
CO2 emissions (g/km)	187	182
Extra urban cycle (L/100km)	6.7	6.6
Urban cycle (L/100km)	10.9	10.5
Fuel tank (L)	50	
<b>Weights (kg)<sup>^^</sup></b>		
Kerb weight (unladen)	1420	1443

<sup>^</sup> vehicle tested in accordance with ADR 81/02 based on combined cycle (city/highway). Actual fuel consumption and CO2 emissions depend on factors such as traffic conditions, vehicle condition and how you drive. <sup>^^</sup> The weights indicated for towing capacities and downball weights are for a basic vehicle without options. These may vary depending on your vehicle's equipment, accessories, passengers & any cargo on board. Please consult your Renault Dealership or the vehicle's owner handbook to confirm your towing requirements to ensure compliance with approved towing limits.





## For more information visit [renault.com.au](https://www.renault.com.au)

For more information, call 1800 009 008 or visit [www.renault.com.au](https://www.renault.com.au). Details are correct at the time of publication for MY22 vehicles and are subject to change. Vehicles depicted in this brochure are overseas models and are shown for illustration purposes only; Australian vehicles may differ in features, specifications, equipment, accessories and/or colour. RVDA Pty Ltd reserves the right to discontinue or change its models at its discretion and without prior notice, including features, specifications, equipment, accessories available and colour. The colours in the photographs may vary from actual colours. Please consult your Renault dealer for the latest information on models, features, specifications, prices, options and availability. Publication date - September 2023. RVDA Pty Ltd, 2A Hill Road, Lidcombe NSW 2141.