

RENAULT MASTER



overseas model shown for illustration purpose only - local specifications may differ.
Specs and features listed are applicable to MY23 Master Van and Platform Cab variants.
Confirm specification of your vehicle with your dealer prior to ordering.



overseas model shown for illustration purpose only - local specifications may differ

a vehicle for everyone

Making the decisions that give the best outcomes for the least risk is what separates successful business owners from the rest. And that's what makes Renault Master an easy choice.

Master reasserts Renault's expertise in this field. The vehicle has an elegant and robust exterior, and a refined and comfortable interior.

Available in 4 lengths, 3 heights and in both front and rear wheel drive van, as well as a Platform Cab variant, you'll have no trouble finding a Master to suit your business.



overseas model shown for illustration purpose only - local specifications may differ



MASTER

a vehicle for everyone

Master is instantly distinguished through a dynamic front-end design featuring the signature C-shaped LED Daytime running lights.

Master van and Platform Cab meet the needs of professionals and will be the ideal partner in developing your business.



overseas model shown for illustration purpose only - local specifications may differ



driving has never been as enjoyable

Open the driver's door and you'll find a spacious and functional cabin that's made to measure for commercial vehicle drivers. The dash includes plenty of handy storage compartments, and the passenger bench features a fold down centre seat with an integrated table that's made for a laptop or lunch. There's also an overhead storage shelf for your paperwork.

The standard MediaNav system brings your navigation, phone and music together to ensure you arrive in the right place, at the right time, and in the right frame of mind!

easy and secure loading

Master van gives priority to practicality and efficiency. The rear doors can be opened 270°, and the very low loading height makes it easier to load cumbersome items. Anchorage points secure the goods, and conveniently placed handles on the insides of the sliding doors save you effort in loading and unloading from the rear area. With its wide rear and side openings and optimum load volume (from 8 m³ to 17 m³ depending on the wheelbase chosen), Master adapts to the needs of all users.





overseas model shown for illustration purpose only - local specifications may differ

our profession, adapting to yours

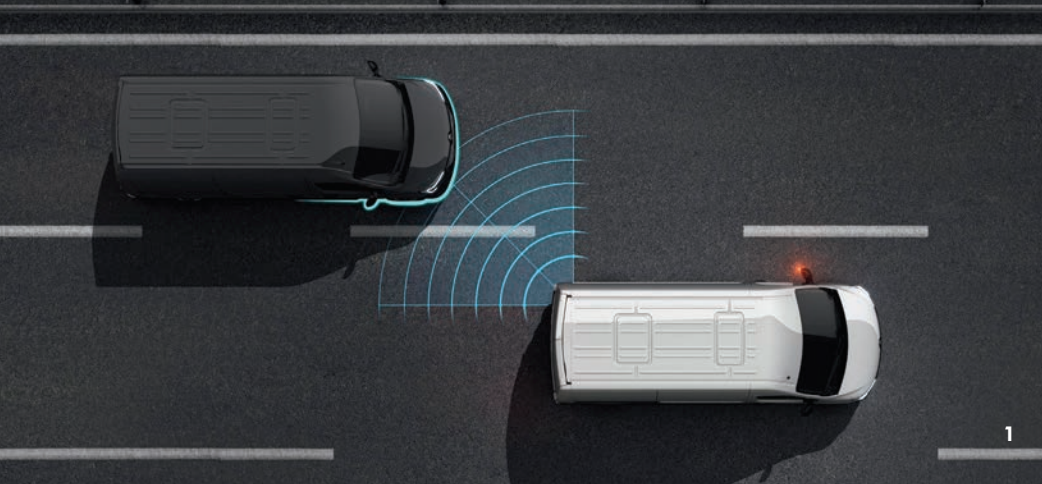
Master is the ultimate work vehicle. With plenty of storage and clever, practical features, it's your ideal mobile office.



overseas model shown for illustration purpose only - local specifications may differ



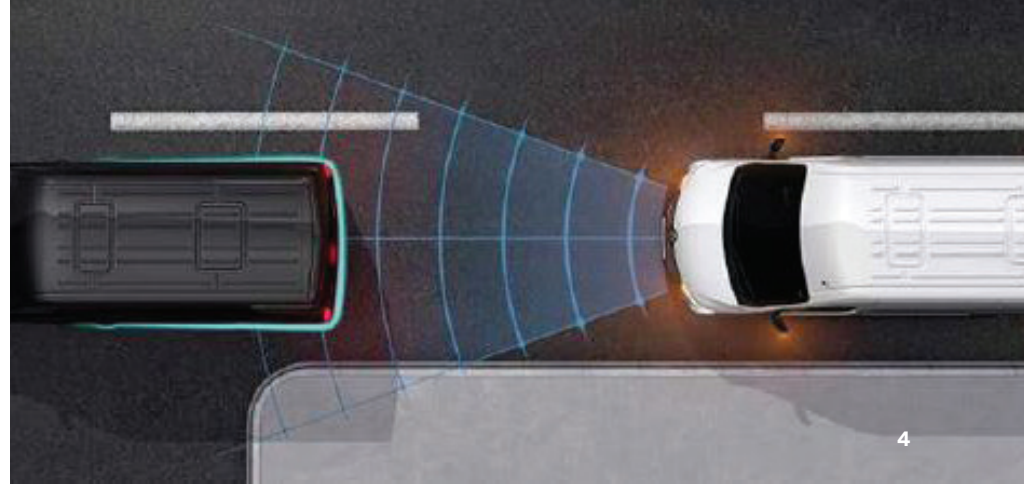
overseas model shown for illustration purpose only - local specifications may differ



performance and safety

1. **blind spot monitoring***: Safely change lanes with the help of the Blind Spot Monitoring System.
2. **high-beam assist***: Automatically dips the high beams when there is an oncoming vehicle. Once the vehicle has safely passed, the Master will automatically reactivate the high beams.
3. **hill start assist**: Prevent any unnecessary roll back of the vehicle with Hill Start Assist.

overseas model shown for illustration purpose only - local specifications may differ
*standard on all van versions



4. Active Emergency Braking System:** An active safety system able to detect moving or stationary vehicles. Active emergency braking is triggered and takes charge of braking if you react with a delay.

5. rear parking sensors*: Fitted standard on all van versions, the rear parking sensors will alert you to anything behind you so you can reverse with confidence.

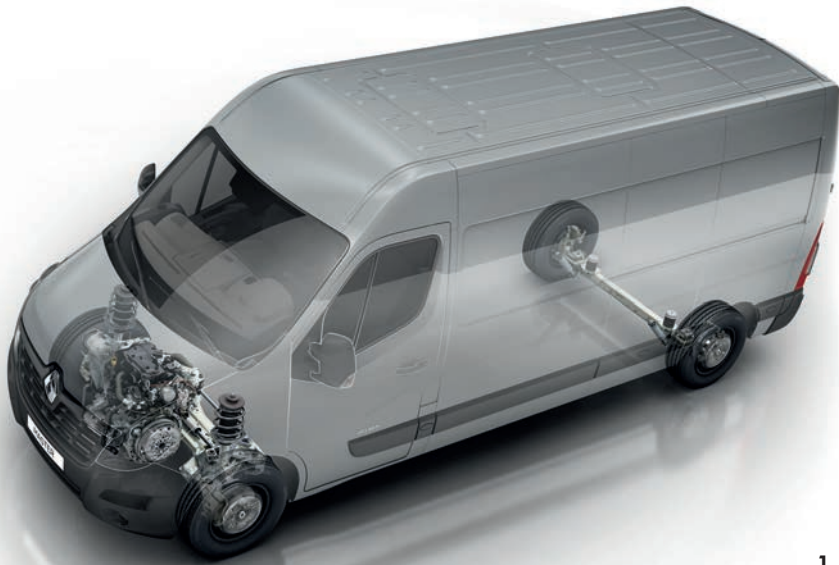
rear view camera*: You can handle any parking space with ease and reverse safely and confidently.

^ Only when driving forward, does not function when vehicle is reversing.

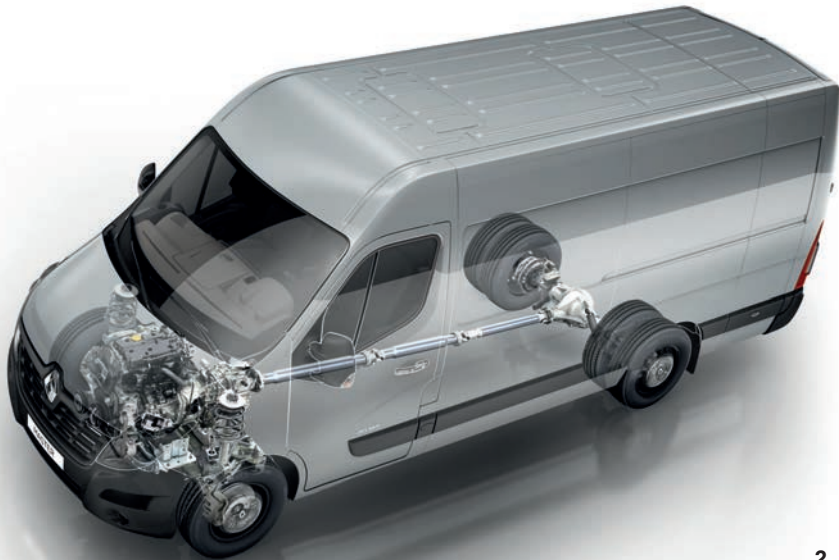
* standard on van variants

** standard on manual van variants





1



2

front or rear-wheel drive?

1. **Master Van & Platform Cab front-wheel drive.** Excellent driving comfort, low loading height and fuel economy.
2. **Master Van rear-wheel drive.** High payloads and enhanced traction.

Does your business involve the transport of heavy, cumbersome and/or fragile loads? Master has two technical choices to meet your requirements: a front-wheel drive version and a rear-wheel drive version. Which to choose? Each offers unrivalled road handling and has its own advantages.

Master Front-Wheel Drive and its 3 different lengths is perfect for payload and road transport. But if you're looking for traction as a priority, choose Master Rear-Wheel Drive, capable of transporting the heaviest loads on the rear axle and towing a trailer up to 3t**. After all, what better than to have a choice?

**3t towing on RWD variants

a van for every business

There's no such thing as "one-size-fits-all", and that's why Master comes with cargo volumes of 8 to 17 cubic meters, front or rear wheel drive powertrains a choice of van or Platform Cab, and payloads of 1.6 to 2.2 tonnes.

1. front-wheel drive panel van.
2. rear-wheel drive panel van.



1



2



overseas model shown for illustration purpose only - local specifications may differ

colour palette



Mineral White (S)



Urban Grey (S)



Star Grey (M)



Pearlescent Black (M)



Tempest Blue (M)

S : Solid paint
M : Metallic
photos not contractually binding.
overseas models shown.

ambience



Pro Van

as standard

safety & security

- Active Emergency Braking System (AEBS)[^]
- lane departure warning
- blind spot warning
- Anti-Lock Braking System (ABS)
- Electronic Brake Force Distribution (EBD)
- Emergency Brake Assist (EBA)
- Electronic Stability Control (ESC)
- grip x-tend
- hill start assist
- rear parking sensors and rear view camera
- 3-point seat belts w/ pre-tensioner and driver height adjustment
- driver seat belt warning
- driver & passenger front airbags
- driver side airbags
- auto door lock when driving
- 2-button foldable key
- remote central locking
- one-touch door locking
- engine immobiliser
- halogen headlights
- front LED daytime running lights

- automatic high/low beam
- automatic dusk sensing headlights
- automatic rain sensing wipers
- manual height adjustable headlights
- rear fog lights
- variable speed windscreen wipers
- cruise control & speed limiter
- brake pad wear indicator

interior features

- dark cloth seat upholstery
- day/night rear view mirror
- height, reach & lumbar adjustable driver's seat w/ armrest
- dual passenger bench seat w/ fold down centre seat & seat back table
- front head rests x 3 (2 height adjustable)
- power steering
- height adjustable steering column
- wide view mirror
- overhead storage shelf
- 3 large dashboard storage compartments
- 5 x cup holders (dash x 2, console x 1, seat back x 2)

- drink bottle door storage x2
- electric front windows w/ driver one-touch control
- manual air conditioning w/ pollen filter
- rear window demister
- 7" medianav touchscreen with Apple CarPlay[®] and Android Auto[®] replication
- Bluetooth hands-free with audio streaming

exterior features

- body side protection mouldings
- integrated front bumper step
- left sliding door - unglazed
- front & rear mud flaps
- 16" steel wheel with small hub caps
- spare wheel (under body)
- electric adjustable door mirrors w/ wide angle blind spot mirror

cargo area

- interior cargo bay light
- 12V aux power outlet
- steel bulkhead - glazed
- cargo tie downs

options

main options

- right sliding door - unglazed
- left & right sliding doors - glazed
- Isringhausen[®] Driver suspension seat - no driver side airbag (N/A with single passenger seat)
- single passenger seat w/ dual side airbags (N/A with driver suspension seat)
- differential lock (RWD only)
- smart rear-view mirror

- trade pack (FWD)
 - wooden floor
 - full height timber wall lining
 - rear step (std on RWD)
 - LED ceiling lights
- trade pack (RWD)
 - wooden floor
 - full height timber wall lining
 - LED ceiling lights
- business pack
 - fog lights
 - hands free key card
 - chrome interior & exterior trims

[^] manual variants only.

Specs and features listed are applicable to MY23 Master Van and Platform Cab variants. Confirm specification of your vehicle with your dealer prior to ordering.

ambience



Platform Cab

as standard

VS VAN:

safety & security

- passenger side airbags
- no rear parking sensors or camera

interior features

- single passenger seat

exterior features

- full steel bulkhead

options

main options

- dual front passenger bench seat (no passenger side airbag)
- full wheel covers
- business pack
 - fog lights
 - hands free key card
 - chrome interior & exterior trims

Specs and features listed are applicable to MY23 Master Van and Platform Cab variants. Confirm specification of your vehicle with your dealer prior to ordering. Body builders are responsible for ensuring that Master Platform conversions meet the standards set out in the Renault Master Technical Conversion Guide. For more information visit <https://www.conversion.renault.com/> or contact your local Renault dealer.

layout diagrams

closed transport

You have a wide range of different needs, which can be met by the wide range of interior fittings and length x height combinations of Renault Master, with a load volume of from 8 m³ to 17 m³.



front-wheel drive panel van



rear-wheel drive panel van



front-wheel drive platform cab

dimensions

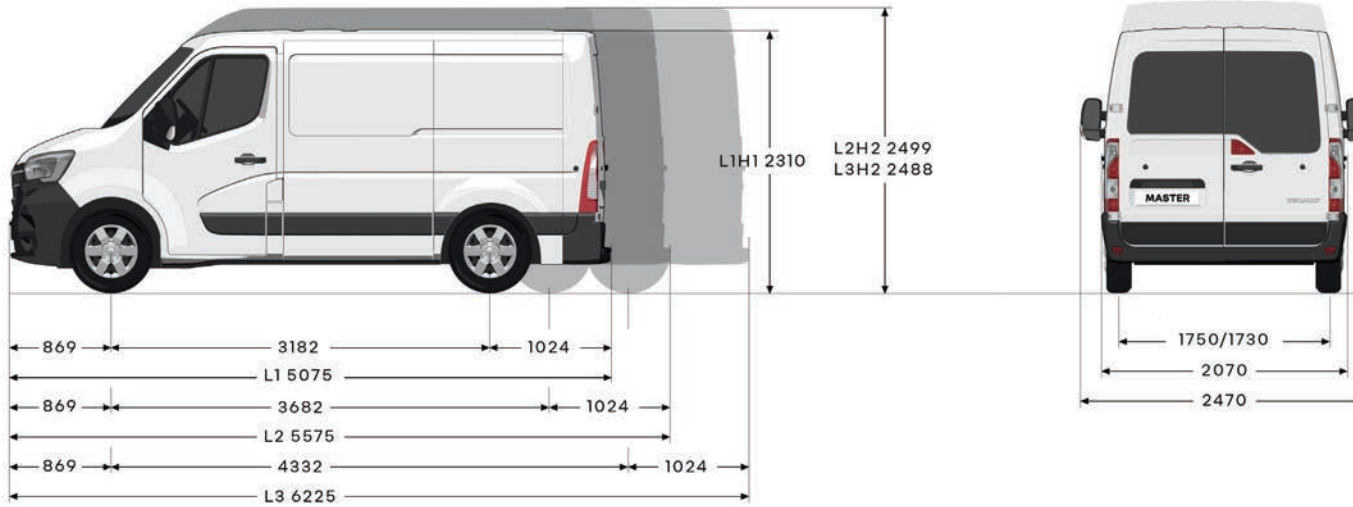
Dimensions (mm)									
Model	SWB FWD MT Pro	SWB FWD AT Pro	MWB FWD MT Pro	MWB FWD AT Pro	LWB FWD MT Pro	LWB FWD AT Pro	LWB RWD MT Pro	ELWB RWD MT Pro	Platform Cab
Wheelbase	3,182		3,682		4,332		3,682		4,332
Front Track					1,750				
Rear Track					1,730		1,612		1,730
Overall Height (Unladen)	2,310		2,499		2,488		2,549		2,808
Overall Width (excl. Standard Door Mirrors)					2,070				
Overall Width (incl. Standard Door Mirrors)					2,470				
Overall Length	5,075		5,575		6,225		6,875		6,207
Maximum Cargo Bay Length	2,583		3,083		3,733		4,383		-
Maximum Cargo Bay Width					1,765				
Cargo Bay Width Between Wheel Arches					1,380		1,080		-
Maximum Cargo Bay Height	1,700		1,894		1,798		2,048		-
Front Overhang					869				
Rear Overhang					1,024		1,674		1,006
Loading Sill Height (Laden/Unladen)	Min: 550 / Max: 564		Min: 548 / Max: 562		Min: 543 / Max: 557		Min: 706 / Max: 724		-
Minimum Ground Clearance	218		214		213		214		^
Width of Sliding Door(s)	1050		1270						
Height of Sliding Door(s)	1,581		1,780		1,684				
Rear Door Width			1,580						
Rear Door Height	1,627		1,820		1,724				

^ Platform Cab dimensions and weights dependant on body builder.

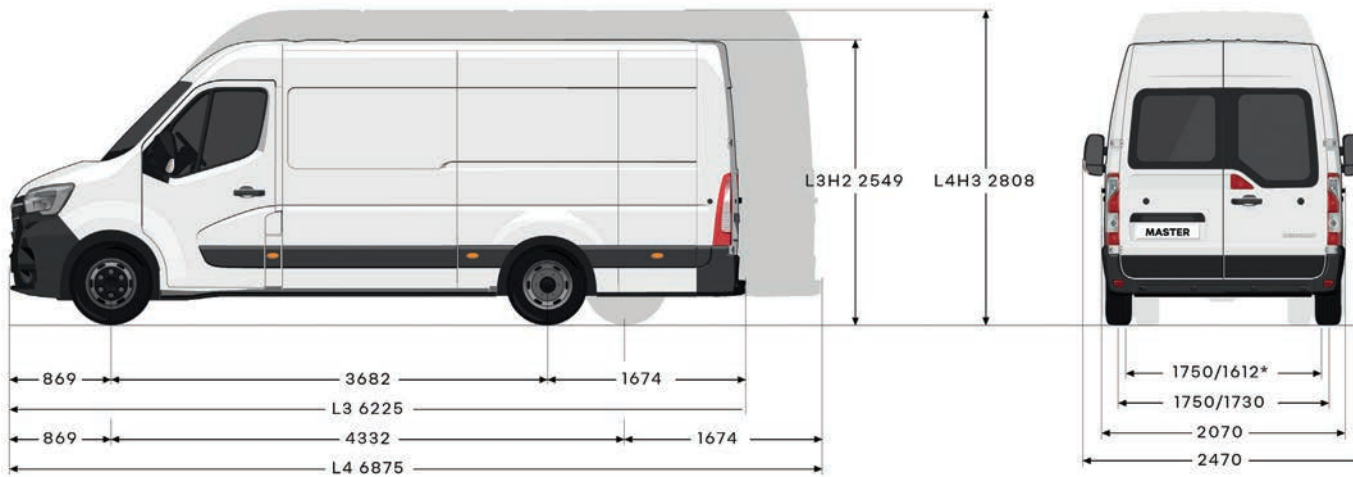
Body builders are responsible for ensuring that Master Platform conversions meet the standards set out in the Renault Master Technical Conversion Guide. For more information visit <https://www.conversion.renault.com/> or contact your local Renault dealer.

dimensions

front-wheel drive panel van

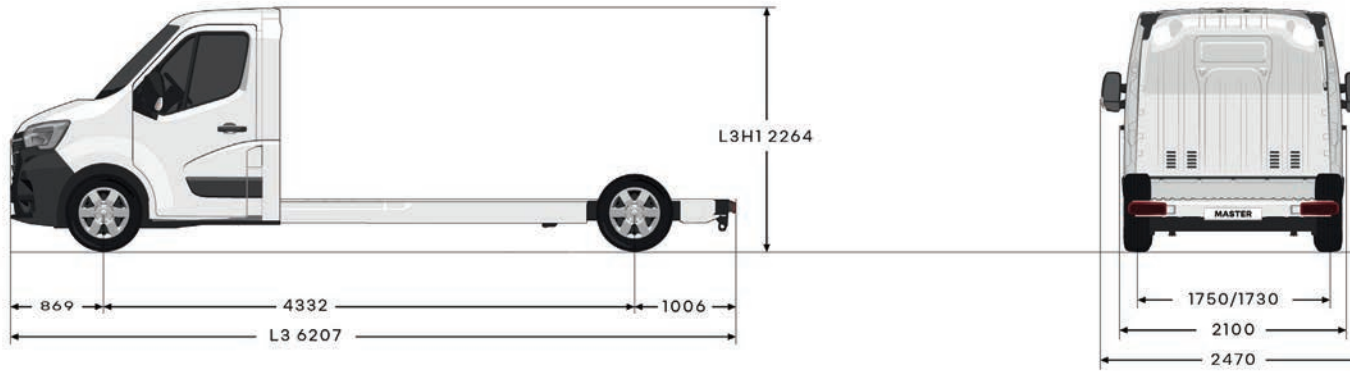


rear-wheel drive panel van



dimensions

Platform Cab





overseas model shown for illustration purpose only - local specifications may differ

options

- 1. interior cargo lining:** With high quality interior wood lining, the cargo area of your van will be protected from the constant loading and un-loading.
- 2. fog lights:** With fog-lights, you'll be even more present on the roads.
- 3. LED lighting:** Make loading and un-loading at night even easier with LED interior lighting.
- 4. smart rear view mirror:** The smart mirror displays permanently so you can see what is going on behind you, and improves visibility and safety at all times.



genuine accessories

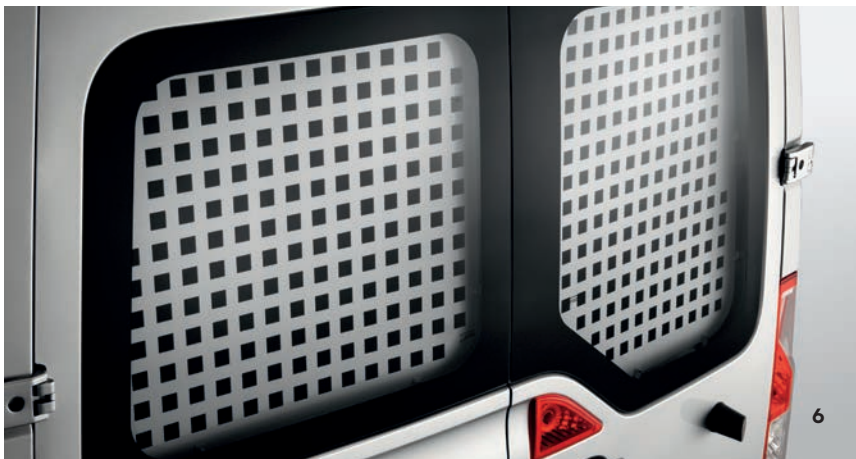
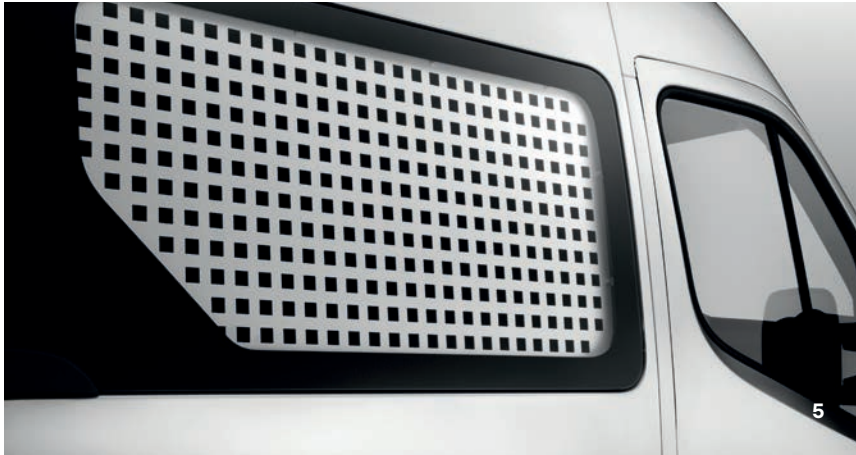
- 1. smartphone support
- 2. safety & first aid kit
- 3. carpet floor mats - front
- 4. alarm



previous Master model depicted

5 & 6. security mesh

- 7. accessory wall kit:** The accessory wall kit comes in specially cut sheets that ensure a perfect fit made in Birch plywood wall panelling with a Polypropylene coating which is pre-cut and drilled. The flooring also comes in specially cut sheets that ensure a perfect fit, which helps move the load easily into and out of the van. The flooring is made from a hardwood form ply with a non-slip surface for additional stability of the load during transport. It is hard wearing and has an oil and water resistant film coating. (the wall and flooring kits are sold separately).





high-performance and more efficient engines

"Twin Turbo" technology

It enables a diesel engine* to combine torque at low speeds and high power with immediate benefit to driving pleasure. It incorporates two standard-mounted turbochargers:

- the first turbo provides high torque from low speeds to give you greater responsiveness when pulling away and restarting;
- the second turbo takes over at higher speeds, letting you use more power without running out of steam for smooth, steady, linear acceleration.

*Twin turbo engine is available on MT variants only

technical specifications

Model	SWB FWD 120kW MT	SWB FWD 110kW AT	MWB FWD 120kW MT	MWB FWD 110kW AT	LWB FWD 120kW MT	LWB FWD 110kW AT	LWB RWD 120KW MT	ELWB RWD 120KW MT	Platform Cab 110kW AT	
Seating Capacity									2	
Engine & Transmission										
Type	2.3L Diesel									
Capacity (cc)	2,299									
Number of Cylinders/Valves	4 / 16									
Bore x Stroke (mm)	85 x 101.3									
Maximum Power (kW @ rpm)	120 @ 3500	110 @ 3500	120 @ 3500	110 @ 3500	120 @ 3500	110 @ 3500	120 @ 3500	110 @ 3500	110 @ 3500	
Maximum Torque (Nm @ rpm)	360 @ 1500	350 @ 1500	360 @ 1500	350 @ 1500	360 @ 1500	350 @ 1500	360 @ 1500	350 @ 1500	350 @ 1500	
Fuel Type	Diesel									
Fuel Injection Type	Twin-Turbo & Intercooled Direct Injection Diesel	Turbocharged & Intercooled Direct Injection Diesel	Twin-Turbo & Intercooled Direct Injection Diesel	Turbocharged & Intercooled Direct Injection Diesel	Twin-Turbo & Intercooled Direct Injection Diesel	Turbocharged & Intercooled Direct Injection Diesel	Twin-Turbo & Intercooled Direct Injection Diesel	Turbocharged & Intercooled Direct Injection Diesel	Turbocharged & Intercooled Direct Injection Diesel	
Type	6 Speed Manual / 6 Speed Automated Manual								6 Speed Automated Manual	
Driven Wheels	Front				Rear				Front	
Speeds at 1000 rpm in:	1st gear		6.75		5.93		6.75		6.75	
	2nd gear		12.64		11.5		12.64		12.64	
	3rd gear		20.36		17.1		20.36		20.36	
	4th gear		28.95		23.36		28.95		28.95	
	5th gear		37.36		30.55		37.36		37.36	
	6th gear		40.34		38.22		40.34		40.34	
Braking, suspension & steering										
Front Braking System (Diameter x Thickness -mm)	302 x 28 Disc									
Rear Braking System (Diameter x Thickness - mm)	305 x 12 Disc				302 x 18 Disc				305 x 12 Disc	
Turning Circle - Kerb to Kerb (M)	12		13.6		15.7		^			
Turns Lock-to-Lock	3.8									
Wheels & Tyres										
Wheel Diameter (inches)	6.5 J16				5.5 J16				6.5 J16	
Tyres (Front)	225/65 R16 (Single)				195/75 R16 (Single)				225/65 R16 (Single)	
Tyres (Rear)	225/65 R16 (Single)				195/75 R16 (Dual)				225/65 R16 (Single)	
Fuel										
Emission standard	Euro 5									
Fuel Tank (litres)	100									
Weights (kg)										
Kerb weight (kg)	1823		1887		1977		2253		2363	
Gross vehicle mass (kg)			3510				4495		3510	
Payload (kg)	1687		1623		1533		2242		2132	
Front axle load (max - kg)					1850					
Rear axle load (max - kg)					2100		3200		2100	
Maximum towing weight, braked (kg)					2500		3000		2500	
Maximum towing weight, unbraked (kg)					750					
Maximum towing weight, download (kg)					200					
Volume m³										
Cargo Bay Load Volume	8		10.8		13		12.4		17	

^ Platform Cab dimensions and weights dependant on body builder

product features

Model	SWB FWD 120kW MT	SWB FWD 110kW AT	MWB FWD 120kW MT	MWB FWD 110kW AT	LWB FWD 120kW MT	LWB FWD 110kW AT	LWB RWD 120kW MT	ELWB RWD 120kW MT	Platform Cab 110kW AT
PASSIVE SAFETY									
Driver & passenger front airbags	●	●	●	●	●	●	●	●	●
3-Point seat belts w/ pre-tensioner and driver height adjustment	●	●	●	●	●	●	●	●	●
Driver side airbags	●	●	●	●	●	●	●	●	●
Driver seat belt warning	●	●	●	●	●	●	●	●	●
Brake pad wear indicator	●	●	●	●	●	●	●	●	●
Engine immobiliser	●	●	●	●	●	●	●	●	●
ACTIVE SAFETY									
Active Emergency Braking (AEBS) (car to car)	●	-	●	-	●	-	●	●	-
ESC (Electronic Stability Control)	●	●	●	●	●	●	●	●	●
ABS (Anti-Lock Braking System)	●	●	●	●	●	●	●	●	●
EBA (Emergency Brake Assist)	●	●	●	●	●	●	●	●	●
EBD (Electronic Brake Force Distribution)	●	●	●	●	●	●	●	●	●
Cruise control & speed limiter	●	●	●	●	●	●	●	●	●
Grip X-tend	●	●	●	●	●	●	●	●	●
Rear parking sensors	●	●	●	●	●	●	●	●	-
Reversing Camera	●	●	●	●	●	●	●	●	-
Hill Start Assist (HSA)	●	●	●	●	●	●	●	●	●
Blind spot warning	●	●	●	●	●	●	●	●	-
Lane departure warning	●	●	●	●	●	●	●	●	-
EXTERIOR LIGHTING									
Automatic dusk sensing headlights	●	●	●	●	●	●	●	●	●
Front fog lights	opack	opack	opack	opack	opack	opack	opack	opack	opack
Rear fog lights	●	●	●	●	●	●	●	●	●
CONNECTIVITY & MULTIMEDIA									
MediaNav 7" touchscreen media & navigation system w/ Apple CarPlay® and Android Auto® Smartphone replication^	●	●	●	●	●	●	●	●	●
Multifunction trip computer	●	●	●	●	●	●	●	●	●
Bluetooth® hands-free w/ audio streaming^	●	●	●	●	●	●	●	●	●
2x15w MP3 - FM/AM radio w/ steering mounted controls	●	●	●	●	●	●	●	●	●
USB Audio input & 3.5mm Aux jack	●	●	●	●	●	●	●	●	●
12v Auxilliary power outlet	●	●	●	●	●	●	●	●	●
CONVENIENCE									
Remote central locking	●	●	●	●	●	●	●	●	●
Auto-door lock when driving	●	●	●	●	●	●	●	●	●
2-button foldable key	●	●	●	●	●	●	●	●	●
One-touch door locking	●	●	●	●	●	●	●	●	●
Keyless entry system	opack	opack	opack	opack	opack	opack	opack	opack	opack
Variable speed windshield wipers	●	●	●	●	●	●	●	●	●
Automatic rain sensing wipers	●	●	●	●	●	●	●	●	●
Manual height adjustable headlights	●	●	●	●	●	●	●	●	●
Automatic high/low beam function	●	●	●	●	●	●	●	●	-
Rear window demister	●	●	●	●	●	●	●	●	-
Coat hooks (x3)	●	●	●	●	●	●	●	●	-
Digital clock w/ air temp display	●	●	●	●	●	●	●	●	●
Day/night rear view mirror	●	●	●	●	●	●	●	●	●
Wide view mirror	●	●	●	●	●	●	●	●	●
Overhead storage shelf	●	●	●	●	●	●	●	●	●
Large dashboard storage compartment	●	●	●	●	●	●	●	●	●
6 x Cup holders (dash x 2, console x 2, seat back x 2)	●	●	●	●	●	●	●	●	●
Drink bottle door storage x2	●	●	●	●	●	●	●	●	●

Specs and features listed are applicable to MY23 Master Van and Platform Cab variants. Confirm specification of your vehicle with your dealer prior to ordering.

Model	SWB FWD 120kW MT	SWB FWD 110kW AT	MWB FWD 120kW MT	MWB FWD 110kW AT	LWB FWD 120kW MT	LWB FWD 110kW AT	LWB RWD 120kW MT	ELWB RWD 120kW MT	Platform Cab 110kW AT
Electric front windows	●	●	●	●	●	●	●	●	●
Start&Stop (idle stop - programmable)	●	-	●	-	●	-	●	●	-
ECO mode	●	-	●	-	●	-	●	●	-
ESM (Energy Smart Management)	●	●	●	●	●	●	●	●	●
Eaton® automatic differential lock	-	-	-	-	-	-	○	○	-
Gear shift indicator	●	●	●	●	●	●	●	●	●
COMFORT									
Height, reach & lumbar adjustable driver's seat w/ armrest	●	●	●	●	●	●	●	●	●
Isringhausen® Driver's suspension seat (n/a w/ driver side airbag)	○	○	○	○	○	○	○	○	○
Dual passenger bench seat w/ fold down centre seat & seat back table	●	●	●	●	●	●	●	●	○
Power steering	●	●	●	●	●	●	●	●	○
Height adjustable steering column	●	●	●	●	●	●	●	●	●
Height, reach & lumbar adjustable single passenger seat w/ side airbag	○	○	○	○	○	○	○	○	●
Front head rests x 3 (2 height adjustable)	●	●	●	●	●	●	●	●	●
Manual air conditioning w/ pollen filter	●	●	●	●	●	●	●	●	●
INTERIOR STYLING									
Two-tone grey cloth upholstery	●	●	●	●	●	●	●	●	●
Premium dashboard with chrome trims	○pack	○pack	○pack	○pack	○pack	○pack	○pack	○pack	○pack
EXTERIOR STYLING									
Wheel diameter (inches)	6.5 J16	6.5 J16	6.5 J16	6.5 J16	6.5 J16	6.5 J16	5.5 J16	5.5 J16	6.5 J16
Tyres	225/65 R16 (SINGLE)	225/65 R16 (SINGLE)	225/65 R16 (SINGLE)	225/65 R16 (SINGLE)	225/65 R16 (SINGLE)	225/65 R16 (SINGLE)	225/65 R16 (SINGLE)		225/65 R16 (SINGLE)
Tyres (Front)							195/75 R16 (SINGLE)	195/75 R16 (SINGLE)	
Tyres (Rear)							195/75 R16 (DUAL)	195/75 R16 (DUAL)	
Tinted windows	●	●	●	●	●	●	●	●	●
Halogen headlights	●	●	●	●	●	●	●	●	●
Front LED daytime running lights	●	●	●	●	●	●	●	●	●
Body side protection mouldings	●	●	●	●	●	●	●	●	●
Integrated front bumper step	●	●	●	●	●	●	●	●	●
Integrated rear bumper step	○pack	○pack	○pack	○pack	○pack	○pack	●	●	-
Left sliding door - unglazed	●	●	●	●	●	●	●	●	-
Right & left sliding doors - unglazed	○	○	○	○	○	○	○	○	-
Left sliding door , right panel - glazed	○	○	○	○	○	○	○	○	-
Rear 180 barn doors - glazed	●	●	-	-	-	-	-	-	-
Rear 270 barn doors - glazed	-	-	●	●	●	●	●	●	-
Front & rear mud flaps	●	●	●	●	●	●	●	●	●
16" steel wheel - with small hub caps	●	●	●	●	●	●	●	●	●
Spare wheel (under body)	●	●	●	●	●	●	●	●	●
Exterior chrome trims	○pack	○pack	○pack	○pack	○pack	○pack	○pack	○pack	○pack
Electric adjustable door mirrors w/ wide angle blind spot mirror	●	●	●	●	●	●	●	●	●

● = Standard; ○ = Factory Option; - = Not available

^ compatability may vary depending on phone features and specifications are subject to change without notice.

Specs and features listed are applicable to MY23 Master Van and Platform Cab variants. Confirm specification of your vehicle with your dealer prior to ordering.

product features

Model	SWB FWD 120kW MT	SWB FWD 110kW AT	MWB FWD 120kW MT	MWB FWD 110kW AT	LWB FWD 120kW MT	LWB FWD 110kW AT	LWB RWD 120kW MT	ELWB RWD 120kW MT	Platform Cab 110kW AT
CARGO AREA									
Mid-height wooden cargo bay lining	-	-	●	●	●	●	●	●	-
Full height wooden protection lining	o pack	o pack	o pack	o pack	o pack	o pack	o pack	o pack	-
Anti slip timber floor	o pack	o pack	o pack	o pack	o pack	o pack	o pack	o pack	-
Interior cargo bay light	●	●	●	●	●	●	●	●	-
LED cargo bay lighting	o pack	o pack	o pack	o pack	o pack	o pack	o pack	o pack	-
12V Aux power outlet	●	●	●	●	●	●	●	●	-
Steel bulkhead - glazed	●	●	●	●	●	●	●	●	●
Cargo tie downs	●	●	●	●	●	●	●	●	-
Grab handle at all entrances	●	●	●	●	●	●	●	●	-
OPTIONS									
Trade Pack									
- Timber floor w/anti slip finish	o pack	o pack	o pack	o pack	o pack	o pack	o pack	o pack	-
- Full height ply side protection lining									
- LED cargo bay lighting									
Business Pack									
- Premium dashboard with chrome trims									
- Exterior chrome trims	o pack	o pack	o pack	o pack	o pack	o pack	o pack	o pack	o pack
- Front fog lights									
- Hands-free entry system									
Single Options									
Left & Right Sliding doors - Glazed (N/A with Trade Pack)	o	o	o	o	o	o	o	o	-
Right sliding door	o	o	o	o	o	o	o	o	-
Isringhausen® Driver suspension seat - no driver side airbag (N/A with single passenger seat)	o	o	o	o	o	o	o	o	o
Single passenger seat - dual side airbags (N/A with driver suspension seat)*	o	o	o	o	o	o	o	o	●
Passenger bench seat**	●	●	●	●	●	●	-	-	o
Differential lock (RWD only)	-	-	-	-	-	-	o	o	-
Smart rear view mirror	o	o	o	o	o	o	o	o	-
Full wheel covers	-	-	-	-	-	-	-	-	o
WARRANTY									
5 Years / 200,000 km	●	●	●	●	●	●	●	●	●

● = Standard; o = Factory Option; - = Not available
 features and specifications are subject to change without notice

* Standard on Platform Cab

** Standard on Van

^ Platform Cab dimensions and weights dependant on body builder

Specs and features listed are applicable to MY23 Master Van and Platform Cab variants. Confirm specification of your vehicle with your dealer prior to ordering.

services

renault at your side

When you choose a Renault Commercial Vehicle, you enjoy years of worry-free motoring, backed by a trusted and reliable brand.

Comprehensive Warranty

With over 100 years of Commercial Vehicle history, our experience is reflected in the design, performance and quality of every vehicle we sell. We're so confident of the quality in your Renault Master, we back it with a 5 Years / 200,000 km Warranty.

24/7 Roadside Assistance

In the unlikely event you breakdown, you're backed by Renault's 24/7 Roadside Assistance for up to 5 years from your initial purchase. Simply call 1800 009 008 and we'll provide the support you need. Available 24/7, 365 day a year, all across Australia.

Capped Price Servicing

For easy budgeting, enjoy Capped Price Services for the first 5 scheduled maintenance services. Plus, to minimise disruption to your business, authorised Renault dealers also have low-cost loan vehicles available to use. Authorised Renault Dealers have Registered Renault Factory Trained Technicians (COTECHs) and only use genuine Renault parts, equipment and tools specially designed for your Renault. There is also a 1 year parts and labour guarantee on all repairs. With a clear, simple and transparent pricing structure for all servicing, Renault provide reassurance, when you need it most.





For more information visit renault.com.au

For more information, call 1800 009 008 or visit www.renault.com.au. Details are correct at the time of publication and are subject to change. Vehicles depicted in this brochure are overseas models and are shown for illustration purposes only; Australian vehicles may differ in features, specifications, equipment, accessories and/or colour. RVDA Pty Ltd reserves the right to discontinue or change its models at its discretion and without prior notice, including features, specifications, equipment, accessories available and colour. The colours in the photographs may vary from actual colours. Please consult your Renault dealer for the latest information on models, features, specifications, prices, options and availability. Publication date - November 2023. RVDA Pty Ltd, 2A Hill Road, Lidcombe NSW 2141.