



GWM

Rediscover the joy of driving



Haval Jolion

GO WITH MORE

Haval Jolion. Rediscover the joy of driving.

Contents	Page 1
Introduction	Page 2
Design	Page 6
Performance	Page 8
Technology	Page 14
Safety	Page 18
Hybrid	Page 22
Colour	Page 24
Dimensions	Page 26
Specifications	Page 28



Say hello to GWM.

GWM is a world-renowned vehicle manufacturer capable of designing and producing SUVs, utes and powertrains simultaneously. At GWM, everything we do is grounded in our corporate philosophy: ‘improving little by little every day.’ From building world-class research and development systems, which enable continuous innovation, to following the ‘excessive investment’ principle, which drives industry leadership, we relentlessly put our philosophy into practice. With nearly 8 million sales to date, in more than 170 countries (and counting), we are the No. 1 SUV brand in the world’s largest market and have been for the past 9 years. Our brand vision is to pioneer global mobility solutions, which use innovative technology to deliver a more pleasurable driving experience. Through innovation and global collaboration, we continue to improve our vehicles’ reliability, safety, performance, design and technology.

Haval Jolion. Rediscover the joy of driving.

The Haval Jolion combines advanced technology with quality features to redefine the modern SUV. What you get is a rare combination of performance, sophistication and safety.



It could be the panoramic sunroof*. The digital heads up display. Or the ergonomic seats. Whichever one it is, you'll fall in love with one – or all – of the design features of this standout SUV.

Panoramic sunroof*



Signature LED brake-lights



18" alloy wheels*

**Impressive,
whichever way
you look at it.**

*Ultra and S variants only

Get what you demand.



Available in petrol or hybrid, the Jolion delivers outstanding fuel economy with 5L/100km* of fuel consumption. It has all you need and then some for urban living and much more.

*Hybrid variants only

**The 1.5L engine
adopts turbocharged
technology, boosting
output to 110kW and
220Nm of torque.**

Transmission.



The second generation 7-speed Dual Clutch Transmission improves throttle response timing and increases efficiency to provide crisp gear shifts and a more direct drive feel.

Engine.



The 1.5L engine adopts turbocharged technology, boosting output to 110kW and 220Nm of torque.

Platform.



A lighter platform lowers vehicle fuel consumption and in combination with multi-wheel chassis tuning, driving comfort has never been better.



A high-tech SUV, designed for you.

This smart SUV is designed by innovative thinkers and brought to life by high-performing technology. Packed with convenient features like a large format multimedia touchscreen, Apple CarPlay®, Android Auto™ and wireless charging* – you can understand why this is a smarter way to drive.

*Ultra and S variants only



Smart safety.



TESTED 2022 ★ ★ ★ ★ ★



ANCAP Safety test



ANCAP Safety test

The Haval Jolion is built with features designed to keep you safe, no matter how long your journey is. If you're ducking out the shops, the 360-view camera will help you park in the tightest of spots. On the other hand, with safety technologies like Intelligent Adaptive Cruise Control, Lane Keep Assist, Traffic Sign Recognition and Traffic Jam Assist you can rest assured knowing that GWM is looking out for you and everyone else around you every time you drive.

*Hybrid variants currently not ANCAP rated

High Strength Steel Body

Protection from all angles.



The smart active and passive safety technologies found inside the Haval Jolion including Auto Emergency Braking, Rear Cross Traffic Assist, Lane Departure Warning and Blind Spot Detection will help you know who or what's in front, behind and either side of you every time you take the vehicle out for a drive.



The Jolion Hybrid range is equipped with the same wide variety of premium interior, connectivity and safety features as the Jolion Petrol variants but sets itself apart with a new front grille, new front LED and fog lights with blue accents, a new front bumper and new rear spoiler.

Plus, GWM's Dedicated Hybrid Technology (DHT) is at the core of the entire electrification roadmap. Each highly integrated, multi-mode petrol-electric hybrid engine comes with a powerful Lithium-Ion battery providing greater performance, increased efficiency and minimal noise. Perfect for urban driving and interstate long distance cruising, the multi-mode hybrid transmission delivers incredibly smooth, responsive take-offs and superior acceleration when you need it, all the while saving on fuel.



Driven by a new energy.

GWM vehicles are available in a range of stunning contemporary colours.



Standard Colour



Hamilton White

Premium Colour (+\$495)



Golden Black

Premium Colour (+\$495)



Mars Red



Azure Blue



Smoke Grey



Vivid Green



Glacier Blue

Premium Colour (+\$495)

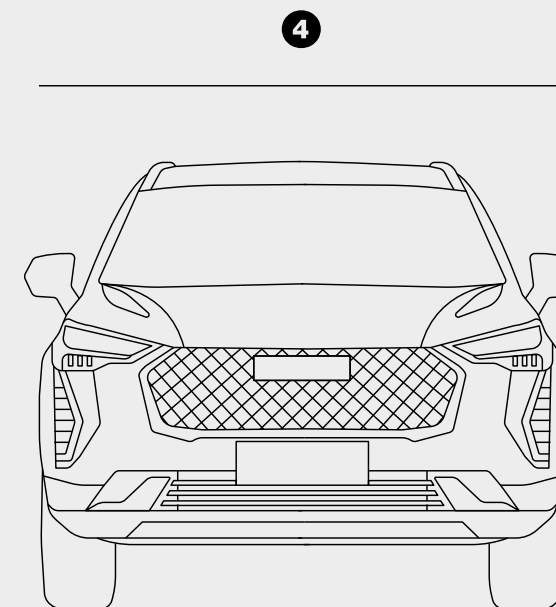
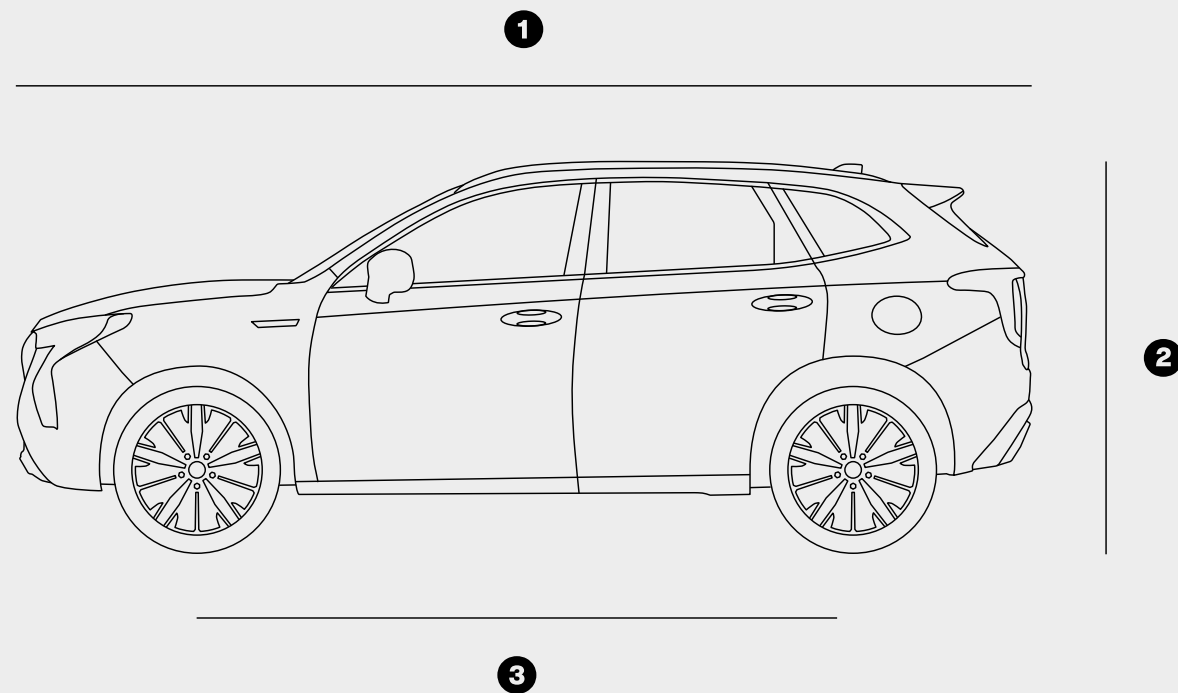
Premium Colour (+\$495)

*Premium Colour (+\$495)
Not available on Hybrid and S*

*Premium Colour (+\$495)
Available on Hybrid only*

Colour.

- ① Length: 4472mm
- ② Height: 1574mm
- ③ Wheelbase: 2700mm
- ④ Width: 1841mm



Dimensions.

		Premium Petrol	Lux Petrol	Lux Hybrid	Ultra Petrol	Ultra Hybrid	S
Dimensions	Length/Width/Height (mm)	4472 x 1841 x 1574	4472 x 1841 x 1574	4472 x 1841 x 1574	4472 x 1841 x 1574	4472 x 1841 x 1574	4472 x 1841 x 1574
	Wheelbase (mm)	2700	2700	2700	2700	2700	2700
Engine	1.5T Petrol	●	●		●		● Direct Injection
	1.5L Hybrid			●		●	
	Displacement (cm ³)	1497	1497	1497	1497	1497	1499
	Max power (kW@rpm)	110 @ 5600-6000	110 @ 5600-6000	Combined 139kW; Electric motor 110kW; Petrol engine 70kw	110 @ 5600-6000	Combined 139kW; Electric motor 110kW; Petrol engine 70kw	130 @ 5500-6000
	Max torque (Nm@rpm)	220 @ 2000 - 4400	220 @ 2000 - 4400	Combined 375Nm; Electric motor 250Nm; Petrol engine 125Nm;	220 @ 2000 - 4400	Combined 375Nm; Electric motor 250Nm; Petrol engine 125Nm	270 @ 1500 - 4000
	Bore x stroke (mm)	75x84.7	75x84.7	75x84.7	75x84.7	75x84.7	75x84.9
	Compression ratio	9.3:1	9.3:1	13:1	9.3:1	13:1	11:1
	Fuel economy (L/100km) combined	8.1	8.1	5.0	8.1	5.0	7.5
	Recommended fuel octane rating	91	91	91	91	91	91
Transmission	7-Speed Dual Clutch Transmission	●	●		●		●
	Dedicated Hybrid Transmission (DHT)			●		●	
	Driveline	2WD	2WD	2WD	2WD	2WD	2WD
	Gear ratios	1st 3.688:1, 2nd 2.684:1, 3rd 1.679:1, 4th 1.022:1, 5th 0.830:1, 6th 0.804:1, 7th 0.642:1, Reverse 3.596:1	1st 3.688:1, 2nd 2.684:1, 3rd 1.679:1, 4th 1.022:1, 5th 0.830:1, 6th 0.804:1, 7th 0.642:1, Reverse 3.596:1	1(ICE) 1.239:1, 2(ICE) 0.877:1, 3(EV) 2.950:1	1st 3.688:1, 2nd 2.684:1, 3rd 1.679:1, 4th 1.022:1, 5th 0.830:1, 6th 0.804:1, 7th 0.642:1, Reverse 3.596:1	1(ICE) 1.239:1, 2(ICE) 0.877:1, 3(EV) 2.950:1	1st 3.688:1, 2nd 2.684:1, 3rd 1.679:1, 4th 1.022:1, 5th 0.830:1, 6th 0.804:1, 7th 0.642:1, Reverse 3.598:1
Wheels	Size	17" Alloy Wheel Chrome	17" Alloy Wheel Chrome	17" Alloy Wheel Chrome	18" Alloy Wheel Chrome	18" Alloy Wheel Chrome	18" Alloy Wheel Black
	Spare wheel	Spare Tyre T135/90R17	Spare Tyre T135/90R17		Spare Tyre T135/90R17		Spare Tyre T135/90R17
Brakes	Front and rear	Front: Ventilated disc brake with floating caliper / Rear: Disc brake with floating caliper					
	Electronic park brake with brake hold	●	●	●	●	●	●
Steering	Steering type and system	Electric / Rack & Pinion					
	Turning circle – kerb to kerb (m)	11.5	11.5	11.5	11.5	11.5	11.5
Suspension	Suspension	Front: Macpherson / Rear: Torsion Beam					Front: Macpherson Rear: Multi link
Weights and capacities	Towing capacity ³ – with trailer brakes	1,500	1,500	1,300	1,500	1,300	1,500
	Towing capacity ³ – without trailer brakes	710	710	750	710	750	750
	Kerb weight ¹ (kg)	1,370	1,370	1,530	1,431	1,530	1,495
	Gross Vehicle Mass ¹ (kg)	2,075	2,075	1,940	2,075	1,940	1,905
	Seating capacity	5	5	5	5	5	5
	Luggage capacity (L) Minimum	430	430	390	430	390	430
	Luggage capacity (L) Maximum	1133	1133	1069	1133	1069	1133
	Fuel tank capacity (L)	55	55	55	55	55	55

Specifications.

		Premium Petrol	Lux Petrol	Lux Hybrid	Ultra Petrol	Ultra Hybrid	S
Chassis & Steering	Driving Modes - 2WD (Normal/Eco/Sport/Snow)	●	●	●	●	●	●
	Adjustable Steering Mode (Sports/Comfort/Light)	●	●	●	●	●	●
Exterior	Automatic Windscreen Wipers	●	●	●	●	●	●
	Rear Windscreen Wiper	●	●	●	●	●	●
	Roof Rails	●	●	●	●	●	●
	Panoramic Sunroof				●	●	●
	Shark Fin Aerial	●	●	●	●	●	●
Interior	Multi - Function Steering Wheel	●	●	●	●	●	●
	PU Steering Wheel	●					
	Microfibre Faux Leather Steering Wheel		●	●	●	●	●
	Paddle Shifter	●	●		●		●
	2 - Way Manually Adjustable Steering Wheel	●	●	●	●	●	●
	Sun-Visor with Vanity Mirror	●					
	Sun-Visor with Vanity Mirror and Light		●	●	●	●	●
	Wireless Charging				●	●	●
	Front 12V Power Outlet	●	●	●	●	●	●
	Luggage Cover		●	●	●	●	●
Seats	Cloth Seat Trim	●					
	Comfort-Tek Faux Leather Accented Seat Trim		●	●	●	●	●
	6 - Way Manual Adjustable Driver Seat	●					
	6 - Way Electric Adjustable Driver Seat		●	●	●	●	●
	4 - Way Manual Adjustable Front Passenger Seat	●	●	●	●	●	●
	Heated Front Seats		●	●	●	●	●
	Rear Seats 60/40 Split	●	●	●	●	●	●
Entertainment	3.5 inch Full Colour Instrument Cluster	●					
	7 inch Full Colour Instrument Cluster		●	●	●	●	●
	Radio FM / AM	●	●	●	●	●	●
	Bluetooth® Hands Free Link System	●	●	●	●	●	●
	10.25 inch Full Colour Touch Screen Infotainment System	●	●	●			
	12.3 inch Full Colour Touch Screen Infotainment System				●	●	●
	Front USB with Charge & Data Transmission	●	●	●	●	●	●
	Rear USB with Charge	●	●	●	●	●	●
	4 Speakers	●					
	6 Speakers		●	●	●	●	●
	Apple Carplay™	●	●	●	●	●	●
	Android Auto™	●	●	●	●	●	●
W-HUD(Head Up Display)				●	●	●	

		Premium Petrol	Lux Petrol	Lux Hybrid	Ultra Petrol	Ultra Hybrid	S
Security	1x Smart Key	●	●	●	●	●	●
	1x Standard Key	●	●	●	●	●	●
	Keyless Entry System	●	●	●	●	●	●
	Push Button Start	●	●	●	●	●	●
	Anti-theft Immobiliser	●	●	●	●	●	●
	Burglar alarm	●	●	●	●	●	●
	Speed Sensing Central Locking	●	●	●	●	●	●
	Door Ajar Warning	●	●	●	●	●	●
Glass	Green Glass	●					
	Rear Privacy Glass		●	●	●	●	●
	Anti-Glare Rear View Mirror - Manual	●					
	Anti-Glare Rear View Mirror - Automatic		●	●	●	●	●
	Driver Window + One Touch Up & Down + Anti-Pinch	●	●	●			
	Four Window + One Touch Up & Down + Anti-Pinch				●	●	●
	Key Fob Window Close Function				●	●	●
	Door Mirrors Heated		●	●	●	●	●
	Power Adjustable Door Mirrors + Manual Folding + Indicator	●					
	Power Adjustable Door Mirrors + Electric Folding + Indicator		●	●	●	●	●
	Auto-Folding Door Mirror		●	●	●	●	●
Safety	Dual SRS Airbags	●	●	●	●	●	●
	Front Side Airbags	●	●	●	●	●	●
	Centre Airbag	●	●	●	●	●	●
	Curtain Airbags	●	●	●	●	●	●
	Front Seatbelts with Pre-Tensioner (Two sides)	●	●	●	●	●	●
	Seatbelts with Pre-Tensioner (Rear Seats)	●	●	●	●	●	●
	Child Safety Lock	●	●	●	●	●	●
	ESC (Electronic Stability control)	●	●	●	●	●	●
	TCS (Traction Control System)	●	●	●	●	●	●
	SCM (Secondary Collision Mitigation)	●	●	●	●	●	●
	RMI (Roll Movement Intervention)	●	●	●	●	●	●
	BA (Brake Assist)	●	●	●	●	●	●
	HDC (Hill Descent Control)	●	●	●	●	●	●

Specifications.

		Premium Petrol	Lux Petrol	Lux Hybrid	Ultra Petrol	Ultra Hybrid	S
Safety (Continued)	HHC (Hill-Start Assist Control)	●	●	●	●	●	●
	BOS (Brake Override System)	●	●	●	●	●	●
	TPMS (Tyre Pressure Management System)	●	●	●	●	●	●
	DVR USB Port	●	●	●	●	●	●
	Rear Parking Assist	●	●	●	●	●	●
	RVC (Rear View Camera)	●					
	360 Degree Monitoring System		●	●	●	●	●
	ACC (Adaptive Cruise Control) with Stop and Go	●	●	●	●	●	●
	IACC (Intelligent Adaptive Cruise Control)	●	●	●	●	●	●
	Intelligent Cornering Control	●	●	●	●	●	●
	Intelligent Dodge	●	●	●	●	●	●
	ELK (Emergency Lane Keep)	●	●	●	●	●	●
	RCTA (Rear Crossing Traffic Alert)	●	●	●	●	●	●
	RCTB (Rear Crossing Traffic Braking)	●	●	●	●	●	●
	FCW (Forward Collision Warning)	●	●	●	●	●	●
	LDW (Lane Departure Warning)	●	●	●	●	●	●
	LKA (Lane Keeping Assist)	●	●	●	●	●	●
	LCK (Lane Centre Keeping)	●	●	●	●	●	●
	AEB (Automatic Emergency Braking) Pedestrian, Cyclist & Crossing	●	●	●	●	●	●
	TSR (Traffic Sign Recognition)	●	●	●	●	●	●
	Blind Spot Detection + Lane Change Assist	●	●	●	●	●	●
	RCW (Rear Collision Warning)	●	●	●	●	●	●
	DOW (Door Open Warning)	●	●	●	●	●	●
	TJA (Traffic Jam Assist)	●	●	●	●	●	●
	Driver Drowsiness Detection (Camera Based)	●	●	●	●	●	●
	ISOFIX	●	●	●	●	●	●
	Lighting	Halogen Headlights	●				
LED Headlights			●	●	●	●	●
Follow Me Home Function		●	●	●	●	●	●
Rear Fog Lights		●	●	●	●	●	●
DRL (Daytime Running Lights)		●	●	● Sequential light	●	● Sequential light	●
Air Conditioning	Single-Zone Manual Air Conditioning	●					
	Dual-Zone Automatic Air Conditioning		●	●	●	●	●
	Air Outlet to Second Row	●	●	●	●	●	●
	Automatic Windshield Defogger		●	●	●	●	●





For more information visit gwmanz.com/au

GWM Australia reserve the right to alter vehicle specifications and equipment levels without notice. Some equipment featured on vehicles in this brochure may not be available or may be optional. To the extent permitted by law, GWM Australia shall not be liable to any person as a result of reliance on the content of the brochure. Always check with your local GWM Dealer for the latest product specifications.

Information in this brochure is current as at 10/05/2023.

Edition Code: GWMA 10-05-2023.

Copyright © GWMA. All rights reserved.