



mazda



MX-5



Mazda 6



Mazda 3



BT-50



Mazda 2



CX-9



CX-5

Mazda MX-5  
zoom-zoom  
zoom-zoom

zoom-zoom  
zoom-zoom  
zoom-zoom



mazda



A great sports car lives to excite every sense

So Mazda MX-5 has less mass to respond instantly

Perfect balance to feel at one with you

And an open top to set you free

It's the enjoyment we call Zoom-Zoom, in its purest form



zoom-zoom  
zoom-zoom  
zoom-zoom



## AND AWAY WE GO

You haven't taken a corner until you've done it in an MX-5.

With light weight plus perfect balance, it reacts to your commands as if by intuition. Its suspension is carefully optimised and the roll centre kept as low as possible. So steering inputs are answered with uncanny agility, and you always feel firmly planted on the road.

While this faithful handling will give you confidence, standard Dynamic Stability Control (DSC) will enhance it. Working with the 4-wheel ABS, this advanced system manages engine power and braking force to maintain control, even on slippery roads.

Turn the key and it's you who'll get fired up. The 2.0 litre four-cylinder engine responds eagerly with smooth power and a rousing exhaust note. In manual models a forged steel crankshaft lets you rev right up to 7,500rpm, taking excitement levels even higher.

The lightweight aluminium engine sits as centrally as possible, enhancing handling balance.

MX-5's 6-speed manual transmission shifts with quick, short throws. The 6-speed Activematic lets you either engage manually through steering wheel-mounted shift paddles, or enjoy automatic ease. In auto mode you're still fully involved, as Direct Activematic (DAM) allows immediate downshifts via the paddles. So acceleration for overtaking or exiting corners is instant. Drive a Mazda MX-5, and you feel intimately connected.



**Quick six.** Closely-stacked gear ratios help to heighten acceleration. Lightweight internals and precise shift mechanism mean the next gear is a wrist-flick away.



**Actively involved.** Activematic transmission gets in the spirit by allowing responsive manual shifts. Automatic shifting employs Active Adaptive Shift (AAS), matching gear selection to the road and your driving style.



**Press to play.** Activematic's steering wheel paddle-shifters let you change gear with a flick of the fingertips.



**Naturally agile.** Optimised fully independent suspension integrates lightweight aluminium components. As a result you enjoy superbly responsive, accurate handling.





***A LOT TO  
FEEL GOOD ABOUT***

MX-5's cabin heightens your connection to a great drive. The sports seats wrap you in superb comfort. Pedals, gearshift and adjustable steering wheel feel like extensions of your body, while sports instrumentation communicates with speed and clarity. You're surrounded by impressive attention to detail, plus rewarding materials and textures. Low noise levels enhance the sense of refinement.

You've got storage all about, and handy features like an MP3 player jack. A specially designed 'Windblocker' aero board and quarter windows minimise cabin air turbulence. And all-weather comfort is ensured, with extra ventilation at foot and waist height.

There's stunning sound too. A six-disc CD player combines with a Bose® amplifier and seven speakers, conducted via steering wheel-mounted controls. Top it all off with rich leather<sup>2</sup> upholstery and there's a lot for your senses to like.

**MP3 WMA BOSE**



*ROADSTER COUPE SPORTS.  
IT'LL GET A HOLD ON YOU*

With key equipment upgrades, MX-5 Roadster Coupe Sports takes a great drive up a notch.

Slide behind the wheel and the feeling is instantly gripping. The exclusively designed RECARO sports seats hold you closely during spirited cornering, as well as offering great comfort. And with leather<sup>2</sup> trim, offset by luxurious Alcantara<sup>®3</sup> and white stitching, they've got serious driving written all over them.

The Sports also boasts 17 inch BBS alloy wheels. A specially created design, they add a striking edge to MX-5's sporty stance. Their light weight also heightens the responsiveness and control of already superb handling.

With Roadster Coupe Sports, an iconic sports car makes an even greater impression.



**High calibre performance.** 17 inch light weight alloy wheels have real visual impact - and help achieve nimble, secure handling.





Get revved up. Uncluttered dials give you vital information at a glance. Speedo and tachometer rest at the 6 o'clock position in true sports style.



**Take control.** Classic three-spoke design steering wheel integrates audio and cruise control switches.



**Polished performance.** Lightweight aluminium pedals enhance feedback and control for involving sports driving.



**Well adjusted.** Seat height adjustment and tilt-adjustable steering wheel allow for your perfect driving position.



**Bags of fun.** Boot gives you 150 litres of luggage capacity - perfect for making your getaway.



**Automatic enjoyment.** Power-retractable roof offers refinement and security, with total ease of operation.



**Easy going.** MX-5 cabin gives you convenient storage options to make your drive even more enjoyable.



**Hits a note.** MP3 compatible auxiliary jack makes connecting portable audio players easy. 200W Bose® audio sounds superb.



## HANDLE THE UNEXPECTED

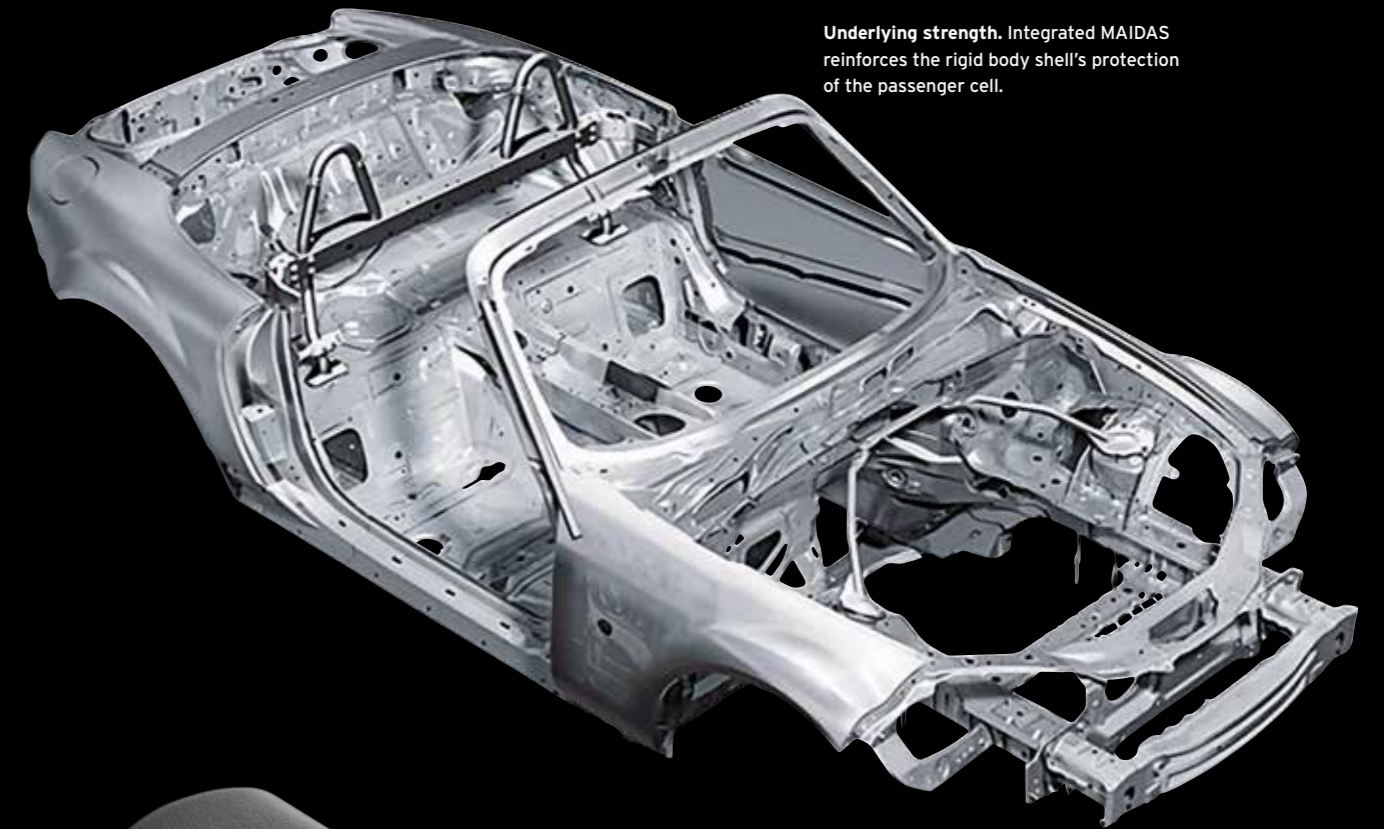
The same connection between car and driver that makes MX-5 great to drive, helps you avoid potential trouble. But it's good to know you're protected by the latest in safety.

High-strength materials reinforce the rigid body structure. This boosts the protection of the Mazda Advanced Impact Distribution and Absorption System (MAIDAS), which absorbs and redirects impact energy away from the occupant cell.

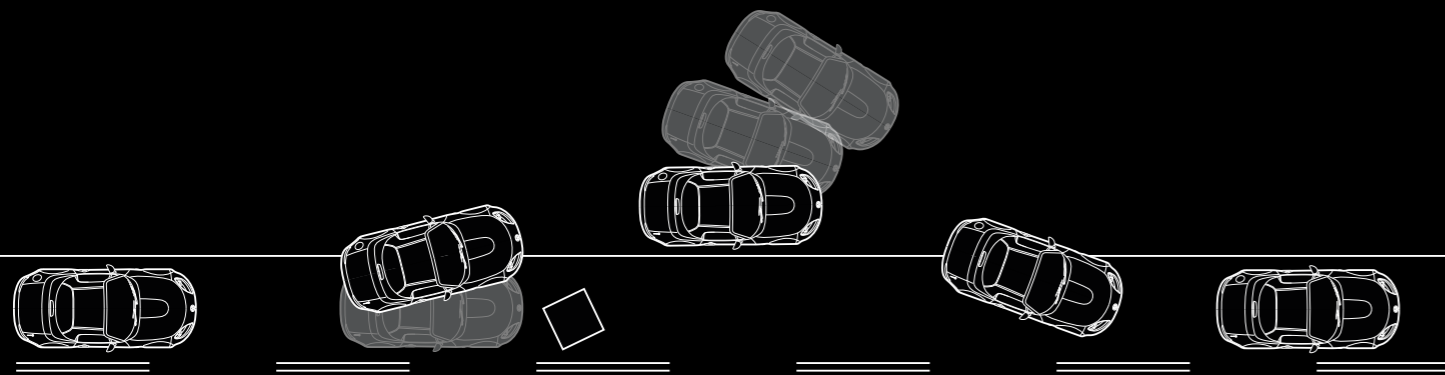
Two front airbags are complemented by two side airbags offering head and chest protection.

Even pedestrian safety is enhanced by a special Shock Cone Aluminium Bonnet. It employs multiple shock-absorbing cones designed to reduce potential injury.

Of course, theft protection is strong, with remote central locking and an engine immobiliser.



**Underlying strength.** Integrated MAIDAS reinforces the rigid body shell's protection of the passenger cell.



**Convenience is the key.** Remote central locking with immobiliser means high security comes with high convenience.

**Prepared for what's ahead.** What if you're faced with an unexpected hazard and have to react suddenly? Dynamic Stability Control (DSC) acts instantly, braking the inner rear wheel to counter understeer (or outer front wheel to counter oversteer). At the same time, the Traction Control System reduces torque to the driven wheels to minimise slip. As a result, control is maintained and the vehicle can be safely steered around the obstacle. DSC acts in a similar way during cornering to avoid skidding or loss of grip.



**Safe all round.** Driver and passenger front SRS airbags are augmented by double chamber-side airbags.



## MX-5 ROADSTER COUPE

**It's the iconic roadster experience, with light weight, perfect balance and fresh air thrills creating an incomparable drive. A power hard-top means open-air exhilaration is a button-push away.**

- 2.0 litre in-line 4 cylinder  
16 valve DOHC S-VT
- Max power: 118 kW @ 7,000 rpm (manual)  
or 118 kW @ 6,700 rpm (auto)
- Max torque: 188 Nm @ 5,000 rpm
- 50 litre fuel tank capacity
- Fuel consumption (combined):  
8.1 litres per 100km<sup>1</sup>
- 6-speed manual or 6-speed  
Activematic (auto)
- 17 inch alloy wheels
- Headlamps (Halogen)
- Chrome exhaust extensions
- Power mirrors (body coloured)
- Power-retractable hard-top with  
rear window (glass) demister
- Power windows
- Air-conditioning
- Cruise control
- Drilled aluminium pedals and footrest
- Height adjustable driver's seat
- Leather-wrapped: gear shift knob,  
handbrake handle and steering wheel
- Paddle shift gear control (auto)
- Seat back style bars
- Seat trim: leather<sup>2</sup>
- 'Sports' bucket seats
- Tilt adjustable steering wheel
- AM/FM tuner with 6-disc in-dash CD player  
(MP3/WMA compatible)
- Auxiliary input (3.5 mm MP3 player  
compatible)
- Premium Bose® 200 watt amplifier  
and 7 speakers
- Steering wheel-mounted audio controls
- Airbags SRS: front (driver and passenger)  
and side (front)
- Anti-lock Braking System (ABS)
- Dynamic Stability Control (DSC)
- Limited-Slip Differential (LSD) -  
manual only
- Remote central locking (2 transmitters)
- Seat-belts with pretensioners  
and load-limiters
- Traction Control System (TCS)



ROADSTER COUPE IN TRUE RED



ROADSTER COUPE SPORTS IN ALUMINIUM METALLIC

## MX-5 ROADSTER COUPE SPORTS

**With MX-5 Roadster Coupe Sports, you get all the exhilaration of the sports car that's become a legend, taken to the next level by special enhancements.**

Roadster Coupe Sports features additional to Roadster Coupe include:

- 17 inch BBS alloy wheels
- RECARO sports seats
- Seat trim: leather<sup>2</sup> / Alcantara®<sup>3</sup>





# SPECIFICATIONS

Powertrain		
Engine type	2.0 litre in-line 4 cylinder 16 valve DOHC S-VT	
Engine capacity	1,998 cc	
Bore and stroke	87.5 mm x 83.1 mm	
Compression ratio	10.8 : 1	
Maximum power	man	118 kW @ 7,000 rpm
	auto	118 kW @ 6,700 rpm
Maximum torque	188 Nm @ 5,000 rpm	
Throttle control	Electronic (drive-by-wire)	
Fuel system	Electronic port fuel injection	
Fuel tank capacity	50 litres	
Recommended fuel	Premium unleaded (95RON or higher)	
Fuel consumption <sup>1</sup> (combined)	8.1 litres per 100 km	
Manual transmission	6-speed	
Activematic (auto) transmission	6-speed	
Gear ratio	1st - man/auto	3.709 / 3.538
	2nd	2.190 / 2.060
	3rd	1.536 / 1.404
	4th	1.177 / 1.000
	5th	1.000 / 0.713
	6th	0.832 / 0.582
	reverse	3.603 / 3.168
	final drive	3.727 / 4.100

Chassis		
Brake diameter	front	290 mm
	rear	280 mm
Brake type	front	Ventilated disc
	rear	Solid disc
Steering type	Hydraulic power assist steering	
Suspension	front	Double wishbone
	rear	Multi-link
Turning circle	kerb to kerb	9.4 m
Tyre size	205/45R17	
Tyre index	84W	
Wheel size	17 x 7.0 J	
Wheel type	Alloy	

Dimensions		
Ground clearance	laden	118 mm
Overall length	4,020 mm	
Overall height	1,255 mm	
Overall width	1,720 mm	
Track	front	1,490 mm
	rear	1,495 mm
Wheelbase	2,330 mm	

Weights and capacities		
Cargo room	volume (VDA)	150 litres
Kerb weight	man	1,167 - 1,169 kg
	auto	1,177 - 1,179 kg

Exterior		
BBS alloy wheels	Roadster Coupe	–
	Roadster Coupe Sports	●
Door handles (body coloured with chrome inserts)	Roadster Coupe	●
	Roadster Coupe Sports	●
Exhaust extension (chrome)	Roadster Coupe	●
	Roadster Coupe Sports	●
Fog-lamps (front)	Roadster Coupe	●
	Roadster Coupe Sports	●
Front and rear bumpers (body coloured)	Roadster Coupe	●
	Roadster Coupe Sports	●
Green-tinted windscreen, side and rear windows	Roadster Coupe	●
	Roadster Coupe Sports	●
Headlamps (Halogen)	Roadster Coupe	●
	Roadster Coupe Sports	●
Metallic/Mica paint	Roadster Coupe	○
	Roadster Coupe Sports	○
Power mirrors (body coloured)	Roadster Coupe	●
	Roadster Coupe Sports	●
Power-retractable hard-top with rear window (glass) demister	Roadster Coupe	●
	Roadster Coupe Sports	●
Power windows	Roadster Coupe	●
	Roadster Coupe Sports	●
Suspension strut tower brace bar (front)	Roadster Coupe	●
	Roadster Coupe Sports	●

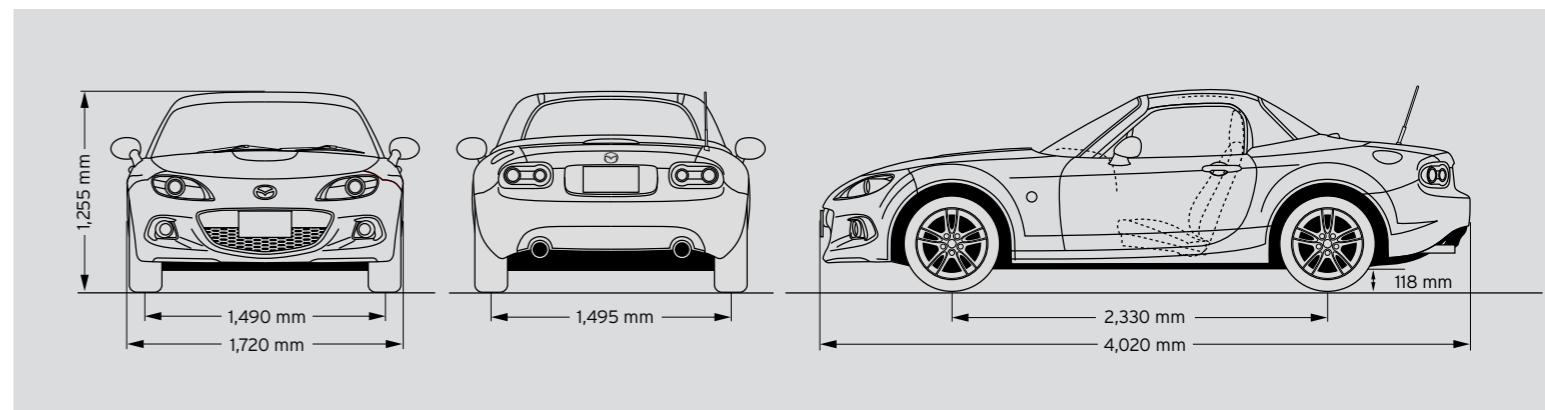
Interior		
Air-conditioning	Roadster Coupe	●
	Roadster Coupe Sports	●
Critical function warning lights/chimes	Roadster Coupe	●
	Roadster Coupe Sports	●
Cruise control	Roadster Coupe	●
	Roadster Coupe Sports	●
Cupholders	Roadster Coupe	●
	Roadster Coupe Sports	●
Digital clock	Roadster Coupe	●
	Roadster Coupe Sports	●
Door bottle holders	Roadster Coupe	●
	Roadster Coupe Sports	●
Drilled aluminium pedals and footrest	Roadster Coupe	●
	Roadster Coupe Sports	●
Glove box (lockable)	Roadster Coupe	●
	Roadster Coupe Sports	●
Instrument panel light dimmer	Roadster Coupe	●
	Roadster Coupe Sports	●
Interior illumination:	cargo room lamp	●
	dome lamp	●
	ignition key surround	●
	boot lid	●
Interior release for:	fuel filler door	●
	Leather-wrapped: gear shift knob	●
	handbrake handle	●
	steering wheel	●
Lights-left-on audible warning	Roadster Coupe	●
	Roadster Coupe Sports	●
Low fuel warning light	Roadster Coupe	●
	Roadster Coupe Sports	●
Oil pressure gauge	Roadster Coupe	●
	Roadster Coupe Sports	●
Puncture repair kit and compressor	Roadster Coupe	●
	Roadster Coupe Sports	●
Rear console box (lockable)	Roadster Coupe	●
	Roadster Coupe Sports	●
Seat trim:	leather <sup>2</sup>	–
	leather <sup>2</sup> /Alcantara <sup>®3</sup>	–
Seat type:	sports	●
	RECARO	–

Interior (continued)		
Seats with:	height adjustment (driver)	●
	integral head restraints	●
	rake and slide adjustment	●
Tachometer and electronic odometer/tripmeter	Roadster Coupe	●
	Roadster Coupe Sports	●
Tilt adjustable steering wheel	Roadster Coupe	●
	Roadster Coupe Sports	●
Vanity mirrors (driver and passenger)	Roadster Coupe	●
	Roadster Coupe Sports	●
'Windblocker' aero board	Roadster Coupe	●
	Roadster Coupe Sports	●
Wipers (front) 2-speed with intermittent function	Roadster Coupe	●
	Roadster Coupe Sports	●

Audio		
AM/FM tuner	Roadster Coupe	●
	Roadster Coupe Sports	●
Auxiliary input (3.5 mm MP3 player compatible)	Roadster Coupe	●
	Roadster Coupe Sports	●
CD player, in-dash 6-disc (MP3 compatible)	Roadster Coupe	●
	Roadster Coupe Sports	●
Premium Bose <sup>®</sup> 200 watt amplifier and speakers	Roadster Coupe	●
	Roadster Coupe Sports	●
Speakers (7)	Roadster Coupe	●
	Roadster Coupe Sports	●
Steering wheel-mounted audio controls	Roadster Coupe	●
	Roadster Coupe Sports	●

Safety		
Airbags SRS:	front (driver and passenger)	●
	side (front)	●
Anti-lock Braking System (ABS)	Roadster Coupe	●
	Roadster Coupe Sports	●
Crumple zones (front and rear)	Roadster Coupe	●
	Roadster Coupe Sports	●
Day/night rear vision mirror	Roadster Coupe	●
	Roadster Coupe Sports	●
Dynamic Stability Control (DSC) – switchable on/off	Roadster Coupe	●
	Roadster Coupe Sports	●
Engine immobiliser	Roadster Coupe	●
	Roadster Coupe Sports	●
High backed bucket seats	Roadster Coupe	●
	Roadster Coupe Sports	●
High mount stop lamp	Roadster Coupe	●
	Roadster Coupe Sports	●
Left-hand-side convex (wide angle) exterior mirror	Roadster Coupe	●
	Roadster Coupe Sports	●
Limited-Slip Differential (LSD), torque-sensing	manual only	manual only
One touch (down only) power window (driver and passenger)	Roadster Coupe	●
	Roadster Coupe Sports	●
Remote central locking (2 transmitters with retractable key)	Roadster Coupe	●
	Roadster Coupe Sports	●
Seat-belts with pretensioners and load-limiters	Roadster Coupe	●
	Roadster Coupe Sports	●
Side impact door beams	Roadster Coupe	●
	Roadster Coupe Sports	●
Traction Control System (TCS)	Roadster Coupe	●
	Roadster Coupe Sports	●

● Standard Feature – Not Available ○ No Cost Option







## JINBA ITTAI HORSE AND RIDER AS ONE

In the traditional Japanese practice of mounted archery, the horse and rider must move as one. This deep connection is known as 'Jinba Ittai.' Mazda MX-5 creates the same intimate bond in order to involve and reward its driver. Controls are meticulously located and weighted to feel like extensions of your body. Low weight, perfect balance and rear-wheel drive make responses instant and intuitive. This sense of 'oneness' is what's made MX-5 the definitive roadster - and the purest form of Zoom-Zoom.

### Rest assured - your warranty



Mazda MX-5 is backed up by a 3-year, unlimited kilometre factory warranty and 6-year panel protection warranty.

### Maintain that Zoom-Zoom

Your Mazda MX-5 deserves the best in care. Servicing through the Mazda Maintenance Program gives your car the advantage of factory trained Service Technicians and advanced computer diagnostic systems. As well as maintaining your Mazda in A1 condition, you'll be protecting your vehicle's outstanding resale value.

### Help is at hand - Mazda Roadside Assistance

Flat batteries, running out of fuel, flat tyres - everyone faces hiccups from time to time. When the unexpected happens, Mazda Roadside Assistance is there to keep you moving. You'll be covered 24 hours a day, 365 days a year, all round Australia. Better still, your Mazda will only be worked on by Mazda-approved technicians. Choose a Standard policy offering everything needed to get going again, or Premium with extras such as accommodation, a rental car and vehicle recovery. Either can be purchased across the entire Mazda range. (Terms and conditions apply.)

### Accessories add enjoyment

Mazda MX-5 gives you pure sports performance. And with Mazda Genuine Accessories, Mazda MX-5 ownership is even more enjoyable. They allow you to personalise your car, and protect your investment. What's more, they deliver superb design, quality and safety, all backed by a Genuine Mazda Warranty. Mazda Genuine Accessories give you even more Zoom-Zoom.

For further information visit [mazda.com.au](http://mazda.com.au) or Freecall 1800 034 411



Like us on the official Mazda Australia fan page for the latest pictures, videos, events, news and competitions. Ask questions, give feedback or upload your own photos. Join the conversation at [facebook.com/mazdaaus](http://facebook.com/mazdaaus)



Join the conversation on Twitter. Keep up with breaking Mazda news, videos and pictures from around the web. Tweet your questions, give feedback or post your own photos. [twitter.com/mazdaaus](http://twitter.com/mazdaaus)

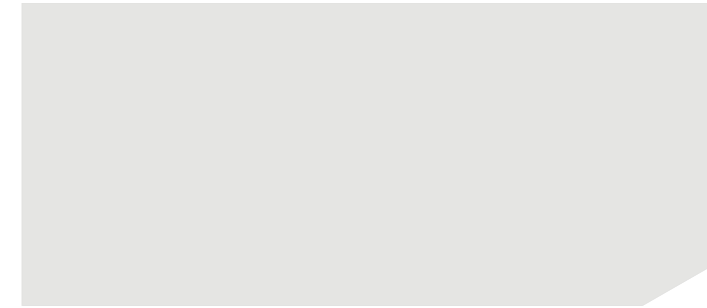


Visit Mazda Australia's YouTube channel. You'll find video content with exclusive behind-the-scenes footage. Plus Mazda E-Motion TV. [youtube.com/zoomzoom](http://youtube.com/zoomzoom)

All care is taken to ensure the accuracy of this brochure at the time of publication. Specifications, features and model availability may vary from State to State and may change without notice. Please refer to [mazda.com.au](http://mazda.com.au) or consult your Mazda Dealer prior to placing an order to ascertain current information on model availability, specifications, options, features and prices. Mazda Australia Pty Limited will not be liable for any loss arising from the information in this brochure, whether in negligence or otherwise. Mazda Australia Pty Limited ABN 78 004 690 804, 385 Ferntree Gully Road, Mt Waverley, Victoria 3149. iPod® and accessories shown for illustrative purposes only and do not come standard with vehicle. iPod® is a trademark of Apple Inc., registered in the U.S. and other countries. Due to the nature of the printing process, colours may vary from those shown in this brochure. Ask your Dealer to show you a product sample. Published January 2014. MAZ10933 126.006

## COLOURS

### Exterior



Crystal White Pearl  
Mica



Aluminium  
Metallic



True Red



Meteor Grey  
Mica

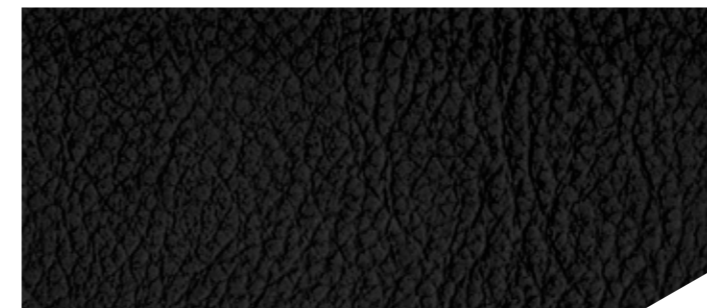


Deep Crystal Blue  
Mica

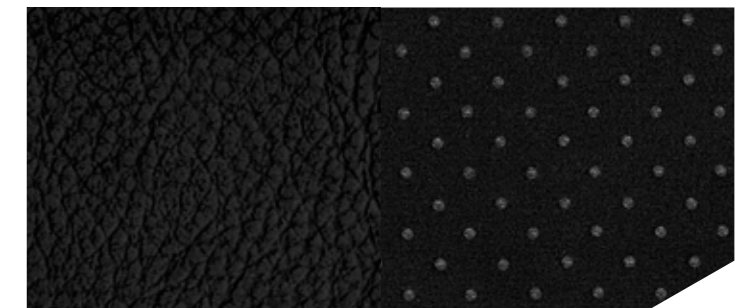


Jet Black  
Mica

### Interior



Black Leather<sup>2</sup>  
Roadster Coupe



Black Leather<sup>2</sup>/Alcantara<sup>3</sup>  
Roadster Coupe Sports

<sup>1</sup> Fuel consumption figures are based on ADR 81/02 test results. They are useful in comparing the fuel consumption of different vehicles. They may not be the fuel consumption achieved in practice. This will depend on traffic and road conditions and how the vehicle is driven. <sup>2</sup> Leather interior includes some Maztex material on selected high impact surfaces. <sup>3</sup> Alcantara® is a registered trademark owned by Alcantara S.p.A. It is non-woven suede made of Microfibre by Toray Industries, Inc.